



**ADDENDUM NO.:** 2

**Description:** Furnish, Deliver and Install Auto and Video Equipment

**Project:** 3783309999

**RFQ Due Date:** Thursday, January 25, 2024 at 2:30 PM

**Specifics of the Addendum:** Respond to Questions received during the Request for Information period.

Q1. Is there a wiring diagram available for this project?

A1. Wiring diagram is attached.

Q2. Do you by any chance know who spec'd out the gear and are there any signal flow drawings for the Extron equipment?

A2. Our client worked with Extron providers to determine the required equipment. A list of the required equipment is part of the detailed specs. Wiring diagram is attached.

Q3. We need to make sure that the ceiling of the typical 6 classrooms is ceiling tile (2x2) or not.

A3. All 6 classrooms have a drop ceiling with 2' x 4' ceiling tiles.

Q4. The quantity of Extron DXP 44 HD 4K PLUS 4X4 HDMI (Item 24) in the equipment list is 12, the quantity is needed to be confirmed.

A4. The quantity is an error. There should be a total of 6 "Extron DXP 44 HD 4K PLUS 4X4 HDMI" items, one in each room. A revised Bid Breakdown and Schedule is attached.

Q5. Who would be responsible for mounting the brackets to the ceiling to hold up the screen in the back of the room.

A5. The bidder is responsible for mounting the brackets to the ceiling.

- Q6. Can CUNY/Guttman be supplying the AV wiring diagram for the “mock-up” room we visited on the 5<sup>th</sup> floor during the walk-through? This will show how the existing system is being wired “point-to-point”.
- A6. Wiring diagram attached.
- Q7. Will CUNY/Guttman be supplying the existing Touch Panel control program so it can be duplicated in the new rooms? This is an Extron control system.
- A7. We can provide access to existing touch panels for the integrator to replicate.
- Q8. Please confirm PLA wages (prevailing wage rates) only apply to onsite labor installation hours.
- A8. Yes, the prevailing wage schedule for installation labor is attached.
- Q9. Please confirm the awarded AVC (audiovisual contractor) is required to perform the task of drilling into the ceiling deck and mounting “grounds” into the deck for the video projector poles and ceiling recessed screens.
- A9. Confirmed.
- Q10. Please confirm that CUNY/Guttman wants all microphone audio to be used to support “voice-lift” for classroom use as well as videoconference calling.
- A10. The three ceiling mounted microphones are for videoconferencing only. The lapel mic and wireless handheld microphones should be configured for voice-lift and videoconferencing.
- Q11. Please confirm the awarded AVC (audiovisual contractor) is required to provide location drawings for the power and low voltage AV boxes that CUNY/Guttman will install.
- A11. Confirmed. There will also be an opportunity for the awarded AVC to work directly with the electricians if that is preferred.
- Q12. In the current rooms there is wires hanging in a bunch of classrooms, can you confirm these will be removed prior to installation and this will not be the vendors responsibility.
- A12. Confirmed. Guttman will remove all existing wiring.
- Q13. Does the Spectrum lectern come with the rack for storage below?
- A13. The purchase of the lectern is included in the scope of this project and will need to have the rack included to mount the equipment. The PC does not get racked but stands alone inside the lectern.

Q14. Please confirm you are providing the computers.

A14. Confirmed. Guttman is providing the computer, mouse and keyboard.

Q15. Please confirm you will provide power for the electric screen and the projectors or any power that is needed?

A15. Confirmed. Guttman's electrician will connect all necessary power to the projectors and screens.

Q16. For the electrical screen please confirm you will provide the cutout for the installation.

A16. Guttman's electrician will connect all necessary power to the projectors and screens.

Q17. Clarification regarding item #4, ("Advantage Series Projection Screen - Ceiling-Recessed Screen with Plenum- Rated Case and Trim - 92" Screen"), there seems to be confusion around the part number.

A17. The screen will need the appropriate plenum case and trim kit as mentioned in the description.

Q18. Is the webcam going through the Extron or PC?

A18. The PTZ camera that needs to be mounted in the ceiling is controlled by the Extron, and is available as an input to the PC, and laptop if connected.

BIDDING REQUIREMENTS for PURCHASING

NOTICE AND INFORMATION FOR BIDDERS

**Attachment A: Bid Breakdown & Schedule**

Bidder: \_\_\_\_\_

DASNY Contact: Nicole White – [nwhite@dasny.org](mailto:nwhite@dasny.org)

Services/Product Required By: May 1, 2024

Description: Furnish, Deliver and Install Audio and Video Equipment

Bid Open Location: DASNY, Corporate Headquarters, 515 Broadway, Albany, NY 12207

Bid Open Date and Time: February 1, 2024 at 2:30 p.m.

Item No.	Manufacturer	Make/Model	Description	QTY	UOM	Unit Price	Extended Price
1	V11H919520	Epson	BrightLink Pro 1485Fi Interactive - 3LCD projector - Wi-Fi/LAN	6	EA	\$	\$
2	PT-VMZ61U7	Panasonic	LCD Projector - LAN	6	EA	\$	\$
3	SYSAUW	Chief	Universal Suspended Ceiling Projector System - White	6	EA	\$	\$
4	88147F	Da-Lite	Advantage Series Projection Screen - Ceiling-Recessed Screen with Plenum-Rated Case and Trim - 92" Screen	6	EA	\$	\$
5	25940T	Da-Lite	IDEA Series Screen - Dry Erase Projection Screen for use with Interactive Projectors - 100" Screen	6	EA	\$	\$
6	MXA710W-2FT	Shure	Microflex Advance MXA710 - Microphone	6	EA	\$	\$
7	MXA920W-S	Shure	MXA920 24" Ceiling Array Microphone - White	12	EA	\$	\$
8	SW-100-08P	Luxul	8PT POE+ GBIT Compact Switch	6	EA	\$	\$
9	PATR313V2	AVer	TR313V2 - Network Surveillance Camera - TAA Compliant	6	EA	\$	\$
10	PTMLTCM01	AVer	Camera Mount	6	EA	\$	\$
11	PTDIN8PT1	AVer	Serial Cable - 8 Pin DIN to DB-9	6	EA	\$	\$
12	1213F D15A1000	Belden	GigaFlex 1200 - Bulk Cable - 1000 ft - Blue	6,000	EA	\$	\$
13	18-2C-P-WHT	LIBERTY	18AWG 2 Conductor Plenum Cable	3,000	EA	\$	\$
14	22-2C-PSH-WHT	LIBERTY	18AWG Audio/Control White	1,200	EA	\$	\$
15	56783	C2G	6ft 4K HDMI Cable with Ethernet - High Speed HDMI Cable - 4K 60Hz	18	EA	\$	\$

BIDDING REQUIREMENTS for PURCHASING

NOTICE AND INFORMATION FOR BIDDERS

16	56784	C2G	10ft 4K HDMI Cable with Ethernet - High Speed HDMI Cable - 4K 60Hz	6	EA	\$	\$
17	50612	C2G	15ft 4K High Speed HDMI Cable with Ethernet - HDMI to HDMI 2.0 - M/M	6	EA	\$	\$
18	03983	C2G	6ft Cat6 Snagless Unshielded (UTP) Ethernet Cable - Cat6 Network Patch Cable - Black	30	EA	\$	\$
19	28832	C2G	6ft USB C to USB SuperSpeed Cable - USB C to USB A - 5Gbps - M/M - Black	6	EA	\$	\$
20	28102	C2G	6.6ft USB A to USB B Cable - USB A to B Cable - USB 2.0 - Black - M/M	6	EA	\$	\$
21	TBD by Bidder	Custom	Mics. Wire, Cables, Plates/Panels & Connectors		LS	\$	\$
22	60-1271-13	EXTRON	HDMI Over CAT5 Extender RX	12	EA	\$	\$
23	60-1271-12	EXTRON	HDMI Over CAT5 Extender TX	12	EA	\$	\$
24	60-1493-21	EXTRON	DXP 44 HD 4K PLUS 4X4 HDMI	6	EA	\$	\$
25	60-1432-01	EXTRON	IPCP PRO 360	6	EA	\$	\$
26	60-952-02	EXTRON	USB 2-INPUT	6	EA	\$	\$
27	60-1563-02	EXTRON	7IN Wall Mount TouchLink PRO	6	EA	\$	\$
28	SPA2-60	QSC	2 Channel 60W Amplifier	6	EA	\$	\$
29	AD-C6T-LP	QSC	AcousticDesign 6.5" 2-Way Low Profile Recessed Ceiling Speaker - White	24	EA	\$	\$
30	UE3315A	ATEN	UE3315A - USB Extension Cable - USB Type A to USB Type A - 49 ft	24	EA	\$	\$
31	507143	Sennheiser	XS WIRELESS XSW 2-835-A - XS Wireless 2 Vocal Set - Wireless Microphone System	6	EA	\$	\$
32	507122	Sennheiser	XS WIRELESS 2 XSW2-ME2-A - Wireless Microphone System	6	EA	\$	\$
33	TESIRAFORT DAN VT	BIAMP	Tesira Fixed I/O DSP Analog	6	EA	\$	\$
34	SW-100-04P 290	Luxul	4-Port Unmanaged PoE+ Switch - Wireless Access Point	6	EA	\$	\$
35	55115-CHCHBE21D800270 1T	Spectrum	LINK - Lectern - Rectangular - Wild Cherry	6	EA	\$	\$
36	WM220AUS	Chief	Short Throw Projector Dual Stud Wall Mount Kit - Silver	6	EA	\$	\$

BIDDING REQUIREMENTS for PURCHASING

NOTICE AND INFORMATION FOR BIDDERS

37	TBD by Bidder	TBD by Bidder	24" Touch Screen Monitor	6	EA	\$	\$
38			Installation		LS	\$	\$

\*If bidding or proposing commodities other than those specified, the bidder must in every instance give all information required in Section 2.0 (B) of the Notice and Information for Bidders. Products will only be considered if proof of comparability is provided to DASNY in writing. A determination that a commodity or product is an "or equal" will be determined by DASNY in its sole and absolute discretion and any such determination will be final.

**INSTALLATION LABOR (if required)**

**LABOR TO INSTALL** \_\_\_\_\_

**Estimated No. of Hours** \_\_\_\_\_

**Hourly Rate (Prevailing Wage rates are required for this work)** \_\_\_\_\_

**Total Materials/Equipment/Commodities:** \_\_\_\_\_

**Total Installation:** \_\_\_\_\_

**TOTAL BID** \_\_\_\_\_

# GUTTMAN COMMUNITY COLLEGE

## 50 WEST 40TH STREET, NEW YORK, NY 10018

### SHEET INDEX

SHEET NO.	ISSUE LOG	ROOM	DRAWING DESCRIPTION
	<div style="writing-mode: vertical-rl; transform: rotate(180deg);">           ISSUE FOR REVIEW 06.19.23         </div>		
AV-101	<del>X</del>		COVER PAGE
AV-102	<del>X</del>		CABLE & RESPONSIBILITY SCHEDULE, GENERAL NOTES & SYMBOLS LEGENDS & JUNCTION BOX SCHEDULE
AV-501	<del>X</del>	ROOM 501 & 510 NEW SYSTEM (TYPICAL OF 2)	AV SIGNAL FLOW

TITLE:

COVER PAGE

CLIENT:

PROJECT#

MGR:

ENGR:

DRWN:

SCALE:

AS NOTED

PUBLISHED ON:

VERSION:

## AV-101

## GENERAL ELECTRICAL NOTES

- BOX MOUNTING HEIGHTS ARE TO CENTER OF BOX.
- BOX MOUNTING DEPTHS ARE TO FACE OF BOX. P = PROTRUDING R = FLUSH S = SURFACE.
- ALL BOXES AND CONDUIT IN WALLS AND CEILINGS SHALL BE FLUSH MOUNTED OR CONCEALED U.O.N. BOXES AND CONDUIT ON EXISTING WALLS AND CEILINGS MAY BE SURFACE MOUNTED UNLESS OTHERWISE NOTED.
- VERIFY ALL STANDARD HEIGHTS WITH PREVAILING CONDITIONS AT JOBSITE.
- THESE DRAWINGS ARE FOR REQUIREMENTS REFERENCE ONLY. NOT FOR CONSTRUCTION. COORDINATE WITH ARCHITECT FOR ALL DEVICE LOCATIONS.
- SUPPLY AND INSTALLATION OF ALL CONDUIT, POWER CIRCUITS, BACK BOXES, ELECTRICAL DEVICES, ELECTRICAL WIRING IS TO BE PROVIDED BY THE PROJECT DIVISION 16 CONTRACTOR UNLESS NOTED OTHERWISE.
- ALL CONDUIT SHALL BE STEEL (EMT OR RIGID), ALUMINUM, FIBERGLASS, OR PVC NOT ACCEPTABLE. FLEX CONDUIT SHALL NOT BE CONSIDERED ACCEPTABLE.
- E.C. SHALL INSTALL NYLON ROPE IN ALL CONDUITS FOR WIRING SPECIFIED IN DIVISION 11, AND CONDUIT SHALL BE DEBURRED, CLEANED, CAPPED, CONDUIT STUB-OUTS, JUNCTION BOXES, AND OUTLETS SHALL BE SUITABLY LABELED FOR IDENTIFICATION OF FUNCTION, J-BOX #, AND/OR CONDUIT NUMBER.
- E.C. TO PROVIDE BLANK COVER PLATES FOR ALL JUNCTION BOXES.
- E.C. SHALL INSTALL INTERMEDIATE PULL BOXES IN CONDUITS FOR EVERY 180° TOTAL OF BENDS.
- E.C. SHALL INSTALL INTERMEDIATE PULL BOXES IN CONDUITS FOR EVERY 100 RUNNING FEET OF CONDUIT.
- INTERMEDIATE PULL BOXES SHALL BE 12"x12"x4", MINIMUM IF ANY CONDUIT ENTRY IS 1-1/4" OR LARGER.
- INTERMEDIATE PULL BOXES SHALL BE 4-11/16" SQUARE x 3 1/2" DEEP IF ALL CONDUIT ENTRIES ARE 1" OR LESS.
- ALL 120 VOLT WIRE, DEVICES, AND CONNECTIONS BY E.C.
- ALL LOW VOLTAGE AV SYSTEM DEVICES, AND CONNECTIONS BY AV SYSTEM (SUB)CONTRACTOR.
- ALL GANG-BOXES SHALL BE 3 1/2" DEEP, MINIMUM, SINGLE PIECE CONSTRUCTION. MODULAR BOXES ARE NOT ACCEPTABLE.
- FLUSH OR RECESS MOUNTED 1 & 2-GANG BOXES SHALL BE 4-11/16" SQUARE x 3 1/2" DEEP BOX WITH APPROPRIATE PLASTER RING EXTENSION U.O.N.
- PROVIDE ALL CONDUIT, J-BOXES, NEMA OR CUSTOM ENCLOSURES, FLOOR BOXES, LOUDSPEAKER ENCLOSURES, POWER CIRCUITS, POWER WIRE AND POWER CONNECTIONS UNDER THIS SECTION. DEVICE PLATES AND CONNECTOR PANELS SHALL BE PROVIDED UNDER DIVISION 11.
- ALL BOXES AND CONDUIT IN WALLS AND CEILINGS SHALL BE FLUSH MOUNTED OR CONCEALED. BOXES AND CONDUIT ON EXISTING WALLS AND CEILINGS MAY BE SURFACE MOUNTED UNLESS OTHERWISE NOTED.
- SUPPORT ALL LOUDSPEAKER ENCLOSURES FROM STRUCTURE RATHER THAN FROM CEILING.
- ALL WIRING SHALL BE IN CONDUIT UNLESS OTHERWISE NOTED. ALL DEVICES CONNECTED WITH MINIMUM 3/4" C.
- REFER TO ARCHITECTURAL ELEVATIONS AND CEILING PLANS FOR EXACT PLACEMENT OF FINISHES WITH DESIGN ARCHITECT.
- FLOOR PLANS ARE FINAL AUTHORITY OF DEVICE QUANTITIES WHICH ARE SUBJECT TO REVISION PROVIDING PROPER NOTICE.
- WHERE NO BACKBOX IS REQUIRED PLEASE REFERENCE THE MANUFACTURER'S INSTALLATION DETAIL FOR ROUGH-IN AND CONDUIT TERMINATION.
- WHERE EXACT DIMENSIONS ARE NOT CALLED OUT, THE LOCATION OF EQUIPMENT, JUNCTION BOXES, OUTLETS, WIRE WAYS, PANELS, ETC., ARE TO BE IDENTIFIED ON COORDINATION DRAWINGS FOR REVIEW ACCORDING TO PROJECT GENERAL CONDITIONS.
- PROVIDE TEMPORARY LABELING DESCRIBING BOXES.
- CONCEAL CONDUIT CONNECTIONS TO JUNCTION BOXES MOUNTED IN PUBLIC AREAS. WHERE BOXES ARE SURFACE MOUNTED, CONDUIT SHALL ENTER FROM THE REAR OF THE BOX.
- REFER TO FLOOR PLANS AND CONDUIT RISER DIAGRAMS FOR CONDUIT SIZING AND INTERCONNECTION OF VARIOUS DEVICES.
- CONSTANT VOLTAGE LOUDSPEAKER CABLE SHALL BE ROUTED IN CONDUIT WHEN EXPOSED, INACCESSIBLE OR AS REQUIRED BY SITE CONDITIONS.
- CONDUIT RUN IN SLABS SHALL HAVE A PULL BOX LOCATED FOR EACH 180 DEGREE BEND.
- FOR EVERY 100 FEET OF STRAIGHT EMPTY CONDUIT, THERE SHALL BE A MINIMUM OF ONE PULL BOX, AND AN ACCESSIBLE PULL BOX FOR MORE THAN TWO 90 DEGREE BENDS IN A CONDUIT RUN.
- THE DRAWINGS INDICATE ONE ROUTING METHOD FOR THE CONDUITS. MINOR CHANGES MAY BE MADE TO CONDUIT SYSTEM TO ACCOMMODATE SITE CONDITIONS OR SIMPLIFY INSTALLATION AS LONG AS ADEQUATE SIZING IS MAINTAINED AND THE SYSTEM INSTALLER AND ARCHITECT APPROVE THE COORDINATION DRAWINGS SUBMITTED FOR REVIEW.
- E.C. TO PROVIDE CABLE PROTECTION BUSHINGS ON ALL BOXES AND CONDUIT STUB-OUTS.
- POWER JUNCTION BOX. SURFACE MOUNT AT 96" A.F.F. PROVIDE 20A CIRCUITS WITH DEDICATED NEUTRALS AND OVERSIZED GROUND BACK TO PANEL "AV". LEAVE CIRCUIT TAIL AT 20' LENGTH FOR TERMINATION TO "AV", "TV", "ER" TYPE RACKS
- MOUNT DISPLAYS AS INDICATED ON DRAWINGS. COORDINATE EXACT LOCATIONS AND MOUNTING WITH ARCHITECT.
- PROJECTION SCREEN BACKBOX PROVIDED BY AV AND INSTALLED BY DIVISION 16. PROVIDE GANG BOX CONNECTIONS FOR LOW-VOLTAGE CONTROL AND MOTOR POWER FROM NEAREST POWER PANEL. SCREENS TO BE CONTROLLED BY AV.
- LV CONTRACTOR TO PULL, TERMINATE, AND TEST ALL RISER AND DISTRIBUTION CABLING INCLUDING FIBER, AND NETWORK CATEGORY CABLES.

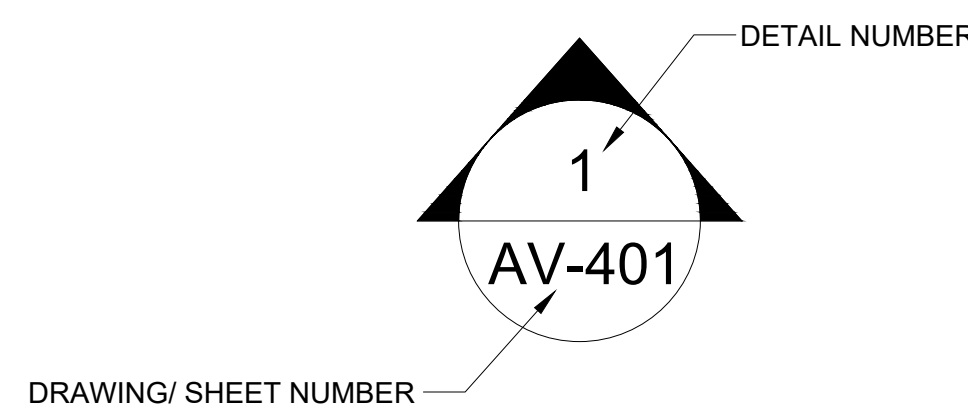
## CABLE SCHEDULE

WIRE# PREFIX	SIGNAL TYPE
CAT	SHIELDED CAT6
CAT	CAT6
USB	USB
V	VIDEO
A	AUDIO
S	AUDIO - SPK
ANT	ANTENNA
C/CN	CONTROL/CRESNET/RELAY
P	POWER
FBR	FIBER
T	TELE

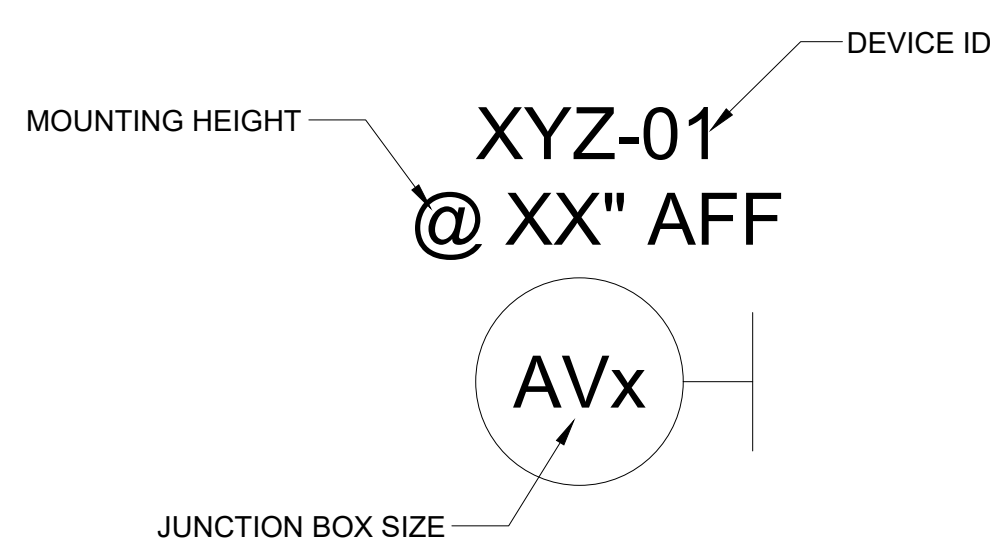
## RESPONSIBILITY SCHEDULE

	SUPPLIED BY:				INSTALLED BY:			
	G.C.	E.C.	T.D.C.	CLIENT	G.C.	E.C.	T.D.C.	CLIENT
<b>CEILING MOUNTED EQUIPMENT</b>								
EQUIPMENT HARD POINTS:								
PROJECTION SCREENS:								
PROJECTOR/DISPLAY MOUNTS:								
PROJECTOR/DISPLAY:								
SPEAKER HARDWARE & BACKBOX:								
CEILING MICROPHONES:								
<b>WALL MOUNTED EQUIPMENT</b>								
ALL SPECIFIED BLOCKING:								
FLAT PANEL MOUNTS:								
FLAT PANEL DISPLAYS:								
PROGRAM SPEAKERS:								
CAMERAS:								
PROJECTION SCREENS:								
<b>ELECTRICAL (FOR AV USE)</b>								
ALL AV ELECTRICAL OUTLETS AND JUNCTION BOXES:								
AV ELECTRICAL CONDUITS & PULL STRINGS:								
FLOOR BOX AND ACCESSORIES:								
AV LOW VOLTAGE CABLES:								
ALL AV CONNECTORS:								
ALL AV WALL PLATES:								
<b>VOICE &amp; DATA NETWORK (FOR AV USE)</b>								
ALL TELECOMMUNICATION PLATES:								
IP NETWORK CONFIGURATION FOR AV CONTROL:								
IP NETWORK CONFIGURATION FOR VIDEO CONFERRING:								
VOIP/SIP CONFIGURATION FOR AUDIO CONFERRING:								
POTS/ANALOG TELEPHONE SERVICE & TERMINATION:								
WIRELESS ACCESS POINT FOR AV:								
ALL COAX RF PLATES/CABLE/CONNECTIONS:								
<b>LIGHTING DIMMING SYSTEMS</b>								
LIGHTING DIMMING EQUIPMENT:								
LIGHTING DIMMING LVC FOR AV INTERFACE:								
LIGHTING DIMMING LVC PROGRAMMED:								
<b>MOTORIZED DRAPES/SHADES</b>								
DRAPERY/SHADE MOTOR:								
DRAPERY/SHADE MOTOR LVC:								
DRAPERY/SHADE MOTOR LVC CABLE TERMINATED:								
<b>PERMANENT FURNISHINGS</b>								
MILLWORK/TABLE PENETRATIONS & MODIFICATIONS:								
CREDENZA VENTILATION:								
EQUIPMENT RACKS FOR MILLWORK:								
AV EQUIPMENT RACKS								

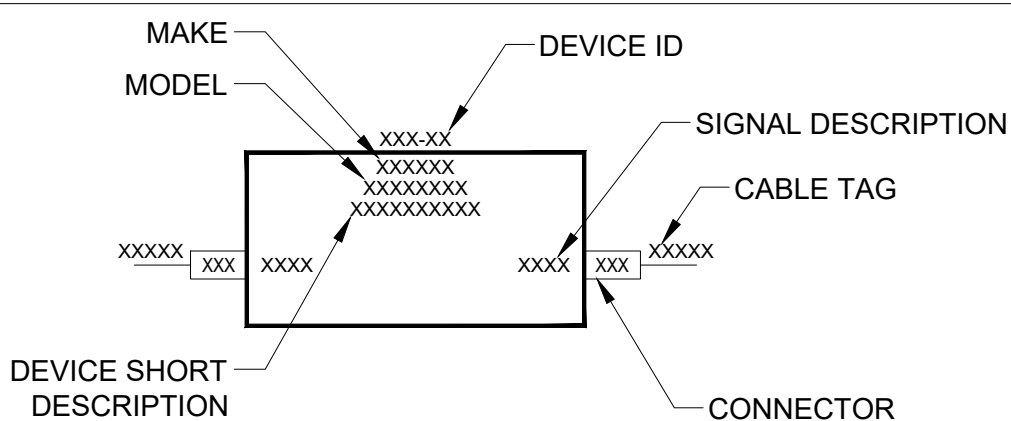
## DRAWING REFERENCE SYMBOL



## AV JUNCTION BOX



## DEVICE BLOCKS



## SYMBOL LEGEND AND JBOX SCHEDULE

- ⊕ QUAD POWER OUTLET @ FINISHED CEILING
- ⊕ DUPLEX POWER OUTLET @ FINISHED CEILING
- ⊕ DATA NETWORK/TELEPHONE DROP @ FINISHED CEILING
- ⊕ DATA NETWORK DROP @ FINISHED CEILING
- ⊕ DATA TELEPHONE DROP @ FINISHED CEILING
- ⊕ FLOOR MOUNTED DUPLEX OUTLET
- ⊕ FLOOR MOUNTED QUAD OUTLET
- ⊕ FLOOR MOUNTED DATA NETWORK/TELEPHONE DROP, REFER TO DWGS FOR QTY
- ⊕ FLOOR MOUNTED DATA NETWORK DROP, REFER TO DWGS FOR QTY
- ⊕ FLOOR MOUNTED DATA TELEPHONE DROP, REFER TO DWGS FOR QTY
- ⊕ FLOOR BOX
- ⊕ FLOOR CORE
- ⊕ WALL MOUNTED QUAD OUTLET, REFER TO DWGS FOR HEIGHT
- ⊕ WALL MOUNTED DUPLEX OUTLET, REFER TO DWGS FOR HEIGHT
- ⊕ WALL MOUNTED SIMPLEX OUTLET, REFER TO DWGS FOR HEIGHT
- ⊕ WALL MOUNTED DATA NETWORK/TELEPHONE DROP, REFER TO DWGS FOR QTY
- ⊕ WALL MOUNTED DATA NETWORK DROP, REFER TO DWGS FOR QTY
- ⊕ WALL MOUNTED DATA TELEPHONE DROP, REFER TO DWGS FOR QTY
- ⊕ PULL AREA @ CEILING; REFER DRAWING FOR DETAIL
- ⊕ MICROPHONE @ CEILING; REFER DRAWING FOR DETAIL
- ⊕ SPEAKER @ CEILING; REFER DRAWING FOR DETAIL
- ⊕ #G (# = 1-6) JUNCTION BOX @ WALL; REFER DRAWING FOR DETAIL
- ⊕ #G (# = 1-6) JUNCTION BOX FOR DISPLAY @ WALL; REFER DRAWING FOR DETAIL
- ⊕ #G (# = 1-6) JUNCTION BOX FOR CAMERA @ WALL; REFER DRAWING FOR DETAIL
- ⊕ #G (# = 1-6) JUNCTION BOX FOR SPEAKER @ WALL; REFER DRAWING FOR DETAIL
- ⊕ #G (# = 1-6) JUNCTION BOX FOR BUTTON PANEL @ WALL; REFER DRAWING FOR DETAIL
- ⊕ #G (# = 1-6) JUNCTION BOX FOR TOUCH PANEL @ WALL; REFER DRAWING FOR DETAIL
- ⊕ #G (# = 1-6) JUNCTION BOX FOR ANTENNA @ WALL; REFER DRAWING FOR DETAIL
- ⊕ #G (# = 1-6) JUNCTION BOX FOR EQUIPMENT RACK @ WALL; REFER DRAWING FOR DETAIL
- ⊕ WALL BOX; REFER DRAWING FOR DETAIL
- ⊕ WALL PLATE; REFER DRAWING FOR DETAIL
- ⊕ CUSTOM WALL PLATE; REFER DRAWING FOR DETAIL

## CONNECTORS

RJ45 LAN	USBA USB	XLR MIC
RJ45S SHIELDED LAN	USBB USB	DKS SPEAKON
HDMI HDMI	miroB USB	SCREW SPK
DP DISPLAY PORT	miniB USB	DB9 CONTROL
MDP MINI DISPLAY PORT	LIT LIGHTNING	PHX VDC
DVI DVI	USBC USB	DC VDC
DVII DVI	3.5MM AUDIO	IEC VAC
DVID DVI	PHX AUDIO	FC FIBER
HD15 VGA	XLR AUDIO	LC FIBER
F CATV	RCA AUDIO	SC FIBER
BNC ANTENNA	TOSLINK AUDIO	

TITLE: CABLE & RESPONSIBILITY SCHEDULE, GENERAL NOTES & SYMBOLS LEGENDS & JUNCTION BOX SCHEDULE

CLIENT:

PROJECT#

MGR:

ENGR:

DRWN:

SCALE:

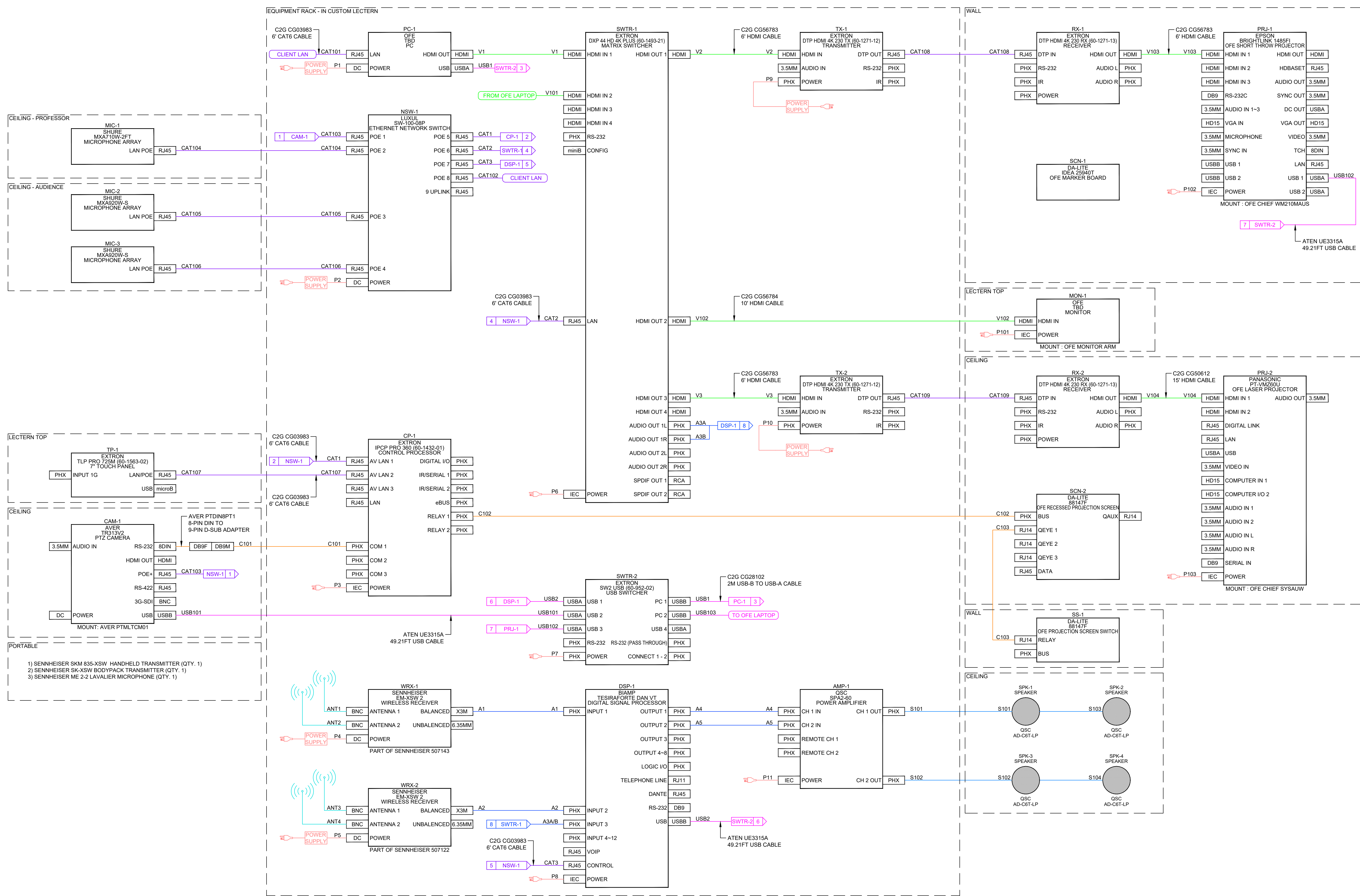
AS NOTED

PUBLISHED ON:

VERSION:

AV-102





- 1) SENNHEISER SKM 835-XSW HANDHELD TRANSMITTER (QTY. 1)
- 2) SENNHEISER SK-XSW BODYPACK TRANSMITTER (QTY. 1)
- 3) SENNHEISER ME 2-2 LAVALIER MICROPHONE (QTY. 1)

**1 ROOM 501 & 510 NEW SYSTEM - AV SIGNAL FLOW (TYPICAL OF 2)**  
SCALE: NTS

TITLE: <b>ROOM 501 &amp; 510 NEW SYSTEM - AV SIGNAL FLOW (TYPICAL OF 2)</b>	
CLIENT:	
PROJECT#	
MGR:	ENGR:
DRWN:	SCALE: AS NOTED
PUBLISHED ON:	
VERSION:	

**AV-501**