

BIDDING REQUIREMENTS for PURCHASING

NOTICE AND INFORMATION FOR BIDDERS

Attachment A: Bid Breakdown & Schedule

Bidder: _____

DASNY Contact: Tiffany Csontos, Assistant Procurement Administrator: tcsontos@dasny.org

Services/Product Required By: April 15, 2024

Description: Furnish and Deliver Optometry Equipment

Bid Open Location: DASNY, Corporate Headquarters, 515 Broadway, Albany, NY 12207 Bid
Open Date and Time: January 19, 2024

Item No.	Manufacturer	Make/Model	Description	QTY	UOM	Unit Price	Extended Price
1	Marco, or equal	Per specifications	Exam Chair	1	EA	\$	\$
2	Marco, or equal	Per specifications	Optometry Autorefractor	1	EA	\$	\$
3	Marco, or equal	Per specifications	Optometry Stands	1	EA	\$	\$
4	Marco, or equal	Per specifications	Optometry Acuity Chart	1	EA	\$	\$
5	Marco, or equal	Per specifications	Optometry Slit Lamp	1	EA	\$	\$
6	Reichert, or equal	Per specifications	Optometry Phoropter	1	EA	\$	\$
7	Topcon, or equal	Per specifications	Optometry Tonometer	1	EA	\$	\$
8	Topcon, as specified	Per specifications	Optometry Instrument Tables	1	EA	\$	\$
9	Topcon, or equal	Per specifications	Optometry Lensmeter	1	EA	\$	\$
10	Lux Vision, or equal	Per specifications	Optometry Frame Heater	1	EA	\$	\$
11			"White Glove" Inside Delivery		LS	\$	\$

*If providing substitutions for any of the specified product, provide information on proposed manufacturer's product. The burden of proof equality is on the bidder, and only complete submittals, as requested will be considered and evaluated by DASNY. Failure to comply with any or all above shall result in immediate disqualification.

TOTAL BID _____

BIDDING REQUIREMENTS for PURCHASING

NOTICE AND INFORMATION FOR BIDDERS

(The below questions 1) and 2) need only be answered if the above total bid is for one million dollars or more)

1. Does your firm anticipate the use of subcontractors and outside suppliers specific to this procurement
Yes No
2. Does your firm anticipate the creation of employment opportunities arising from this procurement?
Yes No

(The below information must be completed for all bids.)

Identify all subcontractors, if any: _____

STATE, PROVINCE FOR FOREIGN COUNTRY
THAT YOUR FIRM'S PRINCIPAL PLACE OF
BUSINESS IS LOCATED:

ADDRESS OF FACTORY OR PLANT WHERE
ITEMS ARE MANUFACTURED AND/OR
ASSEMBLED. (Attach additional sheet(s) if more
than one manufacturer)

BIDDER (FIRM NAME)

SIGNATURE

NAME (TYPE/PRINTED)

TITLE

Date

Email Address

Attachment B: Detailed Specifications

Item No.	Manufacturer	Description	QTY	UOM
1	Marco, or equal	Exam Chair	1	EA
2	Marco, or equal	Optometry Autorefractor	1	EA
3	Marco, or equal	Optometry Stands	1	EA
4	Marco, or equal	Optometry Acuity Chart	1	EA
5	Marco, or equal	Optometry Slit Lamp	1	EA
6	Reichert, or equal	Optometry Phoropter	1	EA
7	Topcon, or equal	Optometry Tonometer	1	EA
8	Topcon, as specified	Optometry Instrument Tables	1	EA
9	Topcon, or equal	Optometry Lensmeter	1	EA
10	Lux Vision, or equal	Optometry Frame Heater	1	EA

Item No. 1

Marco Encore Manual Examination Chair



Dimensions

Product Height 38.58 Inches
Product Width 22.24 Inches
Product Length 48 Inches
Product Lift Capacity (lbs.) 375 Lb(s)

Product Details

Color: Silver & Black two-tone
Base: 22.25" x 23.85"
Ground to Seat Height: 21" low – 32" high
Rotation: 270° degrees
Recline Mechanism: Manual Lay Back
Input Voltage: 120VAC 60HZ
Fuses: 8A 250V

Settings and Controls

Fingertip switch panel
Foot-activated rotation lock

Item No. 2

Marco KR-800/RM-800 Auto Kerato-Refractometer



Specifications

		KR-800	RM-800
Refractive Power Measurement	Spherical refractive power	-25D to +22D (0.12D/0.25D steps) ※	
	Cylindrical refractive power	0D to ±10D (0.12D/0.25D steps) ※	
	Astigmatic axial angle	0° to 180° (in 1° or 5° steps)	
	Minimal measurable pupil diameter	φ2 mm	
Corneal Curvature Measurement	Corneal curvature radius	5.00 to 10.00mm (0.01mm step)	—
	Corneal refractive power	67.50D to 33.75D (0.12D/0.25D steps) (where, corneal refractive power = 1,3375)	
	Corneal astigmatic refractive power	0D to ±10D (0.12D/0.25 D steps)	
	Corneal astigmatic axial angle	0° to 180° (1° / 5° steps)	
PD Measurement Range		20mm to 85mm (0.5mm step)	
Data Transport Terminal		USB (import) /RS-232C (Export) / LAN (Export)	
Dimensions		317-341mm (W) × 521-538mm (D) × 447-477 mm (H)	
Weight		15 kg	
Power Supply		100-240V AC, 50-60Hz, 30-70VA	

※-25D ≒ spherical refractive power + cylindrical refractive power or spherical refractive power + cylindrical refractive power ≒ +22D

Item No. 3

Marco Deluxe Instrument Stand

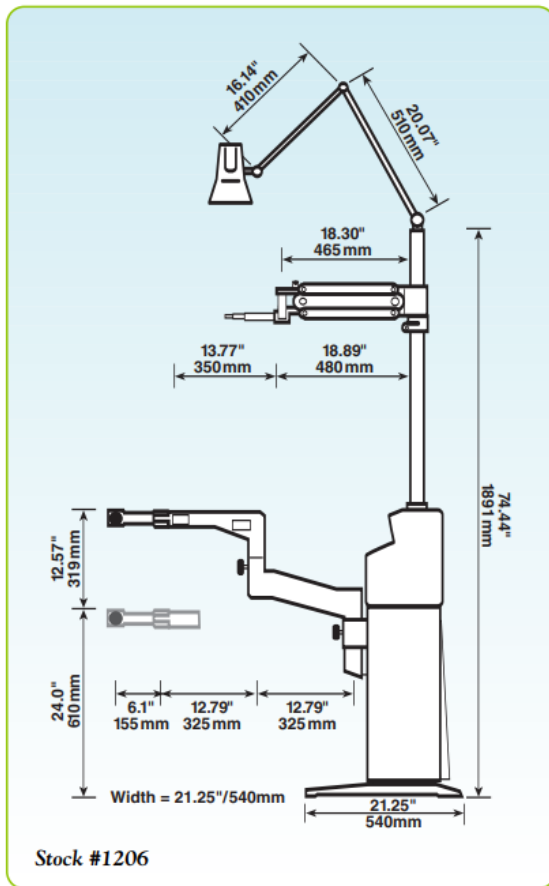
Deluxe 2 Stand full-featured instrument control panel, Stock #1206 with optional 3rd arm.



Optional 3rd arm

Deluxe 2
Stand full-
featured
instrument
control
panel,
Stock #1206

Dimensions



Item No. 4

Marco SC-1600 LCD Acuity Chart



Dimensions

Product Height 18 Inches
Product Width 20.5 Inches
Product Depth 1.9 Inches
Product Weight (lbs.) 11

Product Details

Type: 17-inch SXGA LCD with long-lasting backlight
Resolution: 1280 x 1024 pixels
Chart Window Size: 13.6" (W) x 10.86" (H)
Charts: Type M, Type UK, Type P, Type T
Chart Selection Devices: Remote control or control panel for TRS (RT-5100) refraction system
Memory Card CF Card / Built-in card slot
Power Supply AC100 V-240 V, 50 / 60 Hz
Power Consumption 100 VA

Accessories

Anchor Screw (x4), Mounting Plate, Tilting Mounting Bracket

Item No. 5

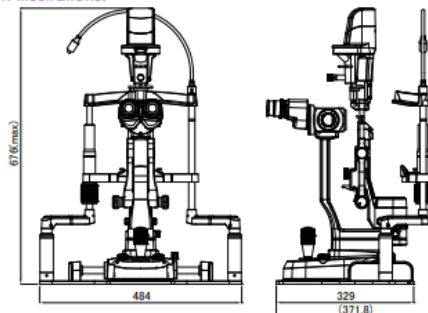
Marco Ultra M5 Slit Lamp Specs



Product Details

Type Binocular Stereomicroscope	Parallel (Galilean)
Light Source	LED
Light Source Configuration	Tower with Tilt
Background Illumination	Yes
Light Filters	Blue, Red-free, Blue LED Correction, Yellow
Slit Width	0-14mm continuous variable
Aperture Diaphragm Diameter (Ø)	14, 10, 5, 3, 2, 1, 0.2mm
Total # Power Magnifications	5 (6.3x, 10x, 16x, 25x, 40x)
Magnification Change	5 Position Rotating Drum
Eye Pieces	16x wide-field, high-eyepoint
Real Field of View (Ø)	35.9mm, 23.3mm, 14mm, 8.8mm, 5.5mm
Interpupillary Adjustment	52-82mm
Diopter Adjustment Range	(+/-) 7 diopters
Horizontal Coarse Movement	105mm
Horizontal Fine Movement	15mm
Vertical Movement	30mm
Fixation Light Source	Red LED on Flexible Arm
Large Patient Chin Rest	Yes
Chinrest Elevation	85mm
Power Supply	AC 100V-240V (+/-10%)
Power Consumption	DC5V 2A
Weight	12.5Kg

Dimension Illustrations:



Item No. 6

Reichert Ultramatic RX Master Phoropter Illuminated Phoropter



Product Details

Ultramatic RX Master™ Phoropter - Minus Cylinder – Black - Model #: 11625B
Illuminated Phoropter - Minus Cylinder – Black 11636

Accessories

Optional Accessories (no extra cost) – **INCLUDE IF REQUIRED FOR ITEM.**

± .25 Flip cross cylinder

+ 1.50 Retinoscopic Lenses

Accessory Case

3 pair nylon face shields

Rotochart™

Reading rod with card holder

Specifications	Range	Steps, Scale Graduations	Additional Information
Sphere	-19.00D to + 16.75D	0.25D	+ 0.12D Sphere in auxiliary dial included
Cylinder Power	0.00D to 6.00D	0.25D	Plus or minus lens system optional 0.12D and 2.00D in accessory cells included
Cylinder Axis	360° (Double 0°-180° scale)	5°	
Cross Cylinder	± 0.25	—	± 0.37 or ± 0.05 Optional
Prism	0 ^Δ to 20 ^Δ	1 ^Δ	—
P.D.	48 mm to 75 mm	1 mm	—
Vertex Distance	13.75 mm (normal)	—	Graduations extend range by 6 mm
Reading Distance	5" to 28"	—	Centimeter and diopter scales included
Auxiliary Dial	10 lenses plus 2 open apertures	—	—

Item No. 7

Topcon CT-80 Computerized Tonometer



Specifications

Measurement Range	0-60mmHg [0-30mmHg/0-60mmHg(Selectable)]
Working Distance	11mm
Measurement Display	TV Monitor Screen * R/L change-over . . . automatically detected and displayed. * Up to three measurements of each eye can be displayed and printed out.
Measurement Recording	Built-in printer
Measurement Mode	Auto / Manual (selectable)
Alignment	When the alignment luminous spots are within the inner alignment mark, * In Auto Mode : measurement is automatically activated * In Manual Mode : alignment will change from a broken box to a solid pattern when proper alignment is achieved, and depressing the switch on the omni-directional joystick activates the measuring cycle.
Error Indication	When the measurement signal is not strong enough, IOP value is indicated in () or just 'ERR' is displayed.
Adjustable Safety Stopper	Minimum distance between the front of the instrument and the patient can be established in advance.
Operating Temperature	10°C to 40°C
Base Travel	44mm (back & forth) / 88mm(left & right) / 28mm(vertically)
Chinrest Vertical Travel	68mm
External Output Terminal	RS-232C
Power Supply	AC100-120V, 220-240V 50/60Hz
Power Consumption	80VA ("Auto-shut-off" : power saving mechanism adopted)
Dimensions	272(W)×505(D)×430~458(H)mm
Weight	Approx.18 kg

Item No. 8

Adjustable Instrument Table – AS SPECIFIED.

Model # AIT-350, AIT-650



Dimensions

59" x 27" x 29" (1499mm x 686mm x 737mm)

Product Height

23" (584mm)

Technical Details

110 Volt System - 120 VAC (+ 10%), 6.0A, 60Hz

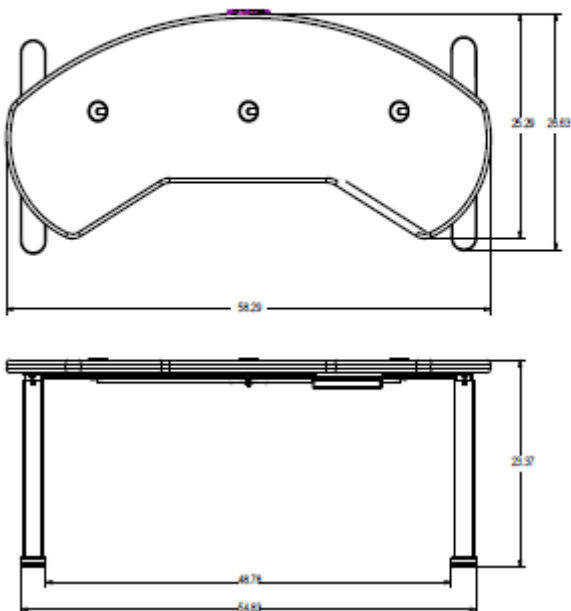
220 Volt System - 230 VAC (+ 10%), 2.5A, 50Hz

120 VAC - Class 1 (Against Electric Shock)

230 VAC - Class 2 (Against Electric Shock)

Shipping Weight 113lbs (51.3kg)

AIT-350



Item No. 9

Topcon CL-300 Computerized Lensmeter



Specifications

Measurement Range	Sphere	0 to ± 25 D (0.01/0.12/0.25D steps)
	Cylinder	0 to ± 10 D (0.01/0.12/0.25D steps)
	Axis	0 to 180°(1°step)
	Addition	0 to + 10D (0.01/0.12/0.25D steps)
	Prism	0 to 10 Δ
Cylinder Mode	MIX / - / +	
Prism Mode	X-Y (Orthogonal Coordinates), P-B (Polar Coordinates),No Display	
UV Transmittance	0 ~ 100% (1% / 5% steps)	
Lens Detection	AUTO for single & progressive lenses	
Contact Lens Measurement	Hard / Soft contact lens	
Light Source	Refractive Measurement	Green LED 540 \pm 5nm
	UV Measurement	UV LED 365 \pm 5nm
Wavelength Criterion	e-line/d-line with ABBE compensation	
Lens Diameter	ϕ 5 to 100 mm	
Screen	5.7 inch color touch screen	
PD Measurement Range*	50-90mm	
External Interface	RS-232C , LAN *	
Power Supply	100-240V / 50/60Hz 1.2A (AC Adapter) : AUTO power save	
Dimensions	197(W) \times 220(D) \times 404(H) mm	
Weight	3.8Kg	

*CL-300PDL r

Models	CL-300	CL-300PDL
PD measurement	—	included
Printer	included	included
LAN	—	included

Item No. 10

Luxvision FH-7000 Frame Heater



Specifications:

Voltage	Volt 220 ~ 230
Frequency	Hz 50
Installed Power	Kw 1.5
Fuse	A 10
Machine Weight	Kg 3
Maching Legth	mm 305
Maching Width	mm 210
Maching Height	mm 220

Working suface 160mm from equipment support surface.

Attachment C: Scope of Work and Site Logistics

Awarded Bidder will furnish with inside delivery, i.e., “white glove” delivery, including unpackaging, removal of debris, set in place and make ready for use the specified optometry equipment to Central New York Psychiatric Center.

Bidder will be required to schedule and coordinate delivery with the point of contact provided on the Purchase Order prior to making deliveries.

The delivery address is Central New York Psychiatric Center, Building 39, 9005 Old River Road, 2nd Floor, Marcy, NY 13403.

Deliveries shall occur during normal business hours unless otherwise directed, see attached Site Logistics for additional information regarding delivery.