

LIGHTING LIST

ITEM	AMT		B MIMIMUM	POWER	
Chroma-Q Color Force 72" Cyc Lens+A4400CC: 400CC: C-Clamp	8 32		0.00 0.00		<a href="https://www.markertek.com/product/chrq-bl72/chroma-q-chcbl72-border-light-lens-option-color-force-72?ne_ppc_id=1806871132&amp;gclid=CjwKCAIA8qLVBRAbEiwAE_ZzPYdIRLaf31_z-bjqwbGE_0eEY715n_xDag70g6kwSEko6Pk5B4I0xoCu8cQAvD_BwE">https://www.markertek.com/product/chrq-bl72/chroma-q-chcbl72-border-light-lens-option-color-force-72?ne_ppc_id=1806871132&amp;gclid=CjwKCAIA8qLVBRAbEiwAE_ZzPYdIRLaf31_z-bjqwbGE_0eEY715n_xDag70g6kwSEko6Pk5B4I0xoCu8cQAvD_BwE</a> <a href="https://www.bhphotovideo.com/c/product/435153-REG/ETC_7060A2009_400CC_C_Clamp_for.html">https://www.bhphotovideo.com/c/product/435153-REG/ETC_7060A2009_400CC_C_Clamp_for.html</a>
SAFETY CABLE 30" BLACK	40		0.00		<a href="https://www.stagelightingstore.com/black-safety-cables/82213-etc-safety-cable-30-black-7060a1022">https://www.stagelightingstore.com/black-safety-cables/82213-etc-safety-cable-30-black-7060a1022</a> <a href="https://www.bhphotovideo.com/c/product/1054545-REG/etc_7461a1051_source_four_led_series.html?gclid=CjwKCAIA8qLVBRAbEiwAE_ZzPYGNokTiwEQ-srYAgPF_tVgU0BomDSTAsvuxj4KEaG00xGabFe4oBoCoAYQAvD_BwE">https://www.bhphotovideo.com/c/product/1054545-REG/etc_7461a1051_source_four_led_series.html?gclid=CjwKCAIA8qLVBRAbEiwAE_ZzPYGNokTiwEQ-srYAgPF_tVgU0BomDSTAsvuxj4KEaG00xGabFe4oBoCoAYQAvD_BwE</a>
SOURCE 4 LED SERIES 2 LUSTR W/SHUTTER BARREL**	16		0.00		<a href="https://www.bhphotovideo.com/c/product/857476-REG/ETC_7460A2008_50_deg_EDLT_Lens.html">https://www.bhphotovideo.com/c/product/857476-REG/ETC_7460A2008_50_deg_EDLT_Lens.html</a>
LED50LT 50° ENHANCED DEF LENS TUBE	4		0.00		<a href="https://www.bhphotovideo.com/c/product/435635-REG/ETC_7060A2048_36_Degree_EDLT_Black.html">https://www.bhphotovideo.com/c/product/435635-REG/ETC_7060A2048_36_Degree_EDLT_Black.html</a>
436EDLT 36° ENHANCED DEF LENS TUBE	4		0.00		<a href="https://www.bhphotovideo.com/c/product/435636-REG/ETC_7060A2047_26_Degree_EDLT_Black.html">https://www.bhphotovideo.com/c/product/435636-REG/ETC_7060A2047_26_Degree_EDLT_Black.html</a>
426EDLT 26° ENHANCED DEF LENS TUBE	4		0.00		<a href="https://www.bhphotovideo.com/c/product/435637-REG/ETC_7060A2046_19_Degree_EDLT_Black.html">https://www.bhphotovideo.com/c/product/435637-REG/ETC_7060A2046_19_Degree_EDLT_Black.html</a>
419EDLT 19° ENHANCED DEF LENS TUBE	4		0.00		<a href="https://www.chauvetprofessional.com/products/maverick-mk2-profile/">https://www.chauvetprofessional.com/products/maverick-mk2-profile/</a> <a href="https://www.stagelightingstore.com/black-clamps-for-1-1-2-pipe/4404-light-source-mega-clamp-black-anodized-light-source-mab?gclid=CjwKCAIA8qLVBRAbEiwAE_ZzPXbz1BvWbjLh8o5fNZp1RB_WrGohibML9zLzMBRPy98ggpb1TcHvhoCbiUQAvD_BwE">https://www.stagelightingstore.com/black-clamps-for-1-1-2-pipe/4404-light-source-mega-clamp-black-anodized-light-source-mab?gclid=CjwKCAIA8qLVBRAbEiwAE_ZzPXbz1BvWbjLh8o5fNZp1RB_WrGohibML9zLzMBRPy98ggpb1TcHvhoCbiUQAvD_BwE</a>
MAVERICK MK 2 PROFILE - CHAUVET***	12		0.00	750W	<a href="https://www.chauvetprofessional.com/products/maverick-mk2-profile/">https://www.chauvetprofessional.com/products/maverick-mk2-profile/</a> <a href="https://www.stagelightingstore.com/black-clamps-for-1-1-2-pipe/4404-light-source-mega-clamp-black-anodized-light-source-mab?gclid=CjwKCAIA8qLVBRAbEiwAE_ZzPXbz1BvWbjLh8o5fNZp1RB_WrGohibML9zLzMBRPy98ggpb1TcHvhoCbiUQAvD_BwE">https://www.stagelightingstore.com/black-clamps-for-1-1-2-pipe/4404-light-source-mega-clamp-black-anodized-light-source-mab?gclid=CjwKCAIA8qLVBRAbEiwAE_ZzPXbz1BvWbjLh8o5fNZp1RB_WrGohibML9zLzMBRPy98ggpb1TcHvhoCbiUQAvD_BwE</a>
MEGA-CLAMP, BLACK	24		0.00		<a href="https://www.bhphotovideo.com/c/product/1381593-REG/etc_4311a1021_ion_xe_20_console.html">https://www.bhphotovideo.com/c/product/1381593-REG/etc_4311a1021_ion_xe_20_console.html</a>
ION XE 20 CONSOLE, 2K OUTPUTS****	1		0.00	900W	<a href="https://www.bhphotovideo.com/c/product/1389551-REG/etc_4240a1024_us_eos_40_fader_wing.html">https://www.bhphotovideo.com/c/product/1389551-REG/etc_4240a1024_us_eos_40_fader_wing.html</a>
EOS FADER WING 40	1		0.00	8W	<a href="https://www.viewsonic.com/us/td1711.html">https://www.viewsonic.com/us/td1711.html</a>
VIEWSONIC TOUCH SCREEN 414.89 829.78 TD2210	2 1		0.00 0.00	100W	<a href="https://www.viewsonic.com/us/td2210.html">https://www.viewsonic.com/us/td2210.html</a>
APC BACK-UPS 650	1		0.00		<a href="https://www.apc.com/shop/us/en/products/APC-Back-UPS-650/P-BE650G1">https://www.apc.com/shop/us/en/products/APC-Back-UPS-650/P-BE650G1</a> <a href="https://www.bhphotovideo.com/c/product/1486253-REG/etc_4267a1021_response_4_port_dmz_rdm.html?gclid=CjwKCAIA8qLVBRAbEiwAE_ZzPazRuXjfccBdvuz-W89xYMOKEyy4HBT3GScCh8ONDdWoSc0cmY2Y_BoCNZAQAvD_BwE">https://www.bhphotovideo.com/c/product/1486253-REG/etc_4267a1021_response_4_port_dmz_rdm.html?gclid=CjwKCAIA8qLVBRAbEiwAE_ZzPazRuXjfccBdvuz-W89xYMOKEyy4HBT3GScCh8ONDdWoSc0cmY2Y_BoCNZAQAvD_BwE</a>
ETC RESPONSE 4 PORT DMX/RDM GATEWAY -4 XLR5 OUTPUTS*****	2		0.00		<a href="https://www.fullcompass.com/prod/571252-etc-response-mk2-gateway-2-port-portable-with-xlr-output">https://www.fullcompass.com/prod/571252-etc-response-mk2-gateway-2-port-portable-with-xlr-output</a> <a href="https://www.swisson.com/en/products/data-distribution/xpd-28-us/">https://www.swisson.com/en/products/data-distribution/xpd-28-us/</a>
RSN-DMX2-O-P: RESPONSE 2-PORT PORTABLE GATEWAY, XLR OUTPUT	0		0.00		<a href="https://www.luminex.be/products/gigacore/gigacore-12/">https://www.luminex.be/products/gigacore/gigacore-12/</a>
SWISSON XPD-28-SR-US*****	0		0.00		<a href="https://www.luminex.be/products/gigacore/gigacore-12/">https://www.luminex.be/products/gigacore/gigacore-12/</a>
LUMINEX GIGACORE 12 Note: ETHERNET SWITCH LU0100036	0		0.00	180W	<a href="https://tmb.com/cam-feeder-assemblies/">https://tmb.com/cam-feeder-assemblies/</a>
INDU ELECTRIC PD 120V/208V 24 X MULTI	1		0.00		
TMB 4/0 EISL FEEDER 5-WIRE SET	1		0.00		
LEX EVERGRIP MULT 100FT	6		0.00		
LEX BREAK-OUT, MALE LSC19 TO FEMALE. L6-20 6'	6		0.00		
TMB 12/3 SO L6-20B CABLE W/LABELS 100FT	4		0.00		
TMB 12/3 SO L6-20B CABLE W/LABELS 50FT	8		0.00		
TMB 12/3 SO L6-20B CABLE W/LABELS 25FT	8		0.00		
TMB 12/3 SO L6-20B CABLE W/LABELS 10FT	10		0.00		
DATAPLEX DMX CABLE 100'	2		0.00		
DATAPLEX DMX CABLE 50'	4		0.00		
DATAPLEX DMX CABLE 25'	6		0.00		
DATAPLEX DMX CABLE 15'	25		0.00		
DATAPLEX DMX CABLE 5'	10		0.00		
15 FT. 12/3 SJO NEUTRIK POWERCON CABLE	15		0.00		
TMB 12/3 SJO NEUTRIK POWERCON TRUE ONECABLE W/LABELS: 5'	6		0.00		
100' PROPLEX CATSE ETHERCON CABLE	8		0.00		
			0.00		
* includes edison / powercon tail					
* Includes the Source Four LED light engine with the shutter barrel assembly, UL1573 PowerCon power input cable with connector of your choice , C-clamp, soft focus diffuser and an A-size pattern holder.					
*** MaverickMK2Profile Includes: IP powerKON Power Cord, 2pc Omega Brackets Control: 3-pin DMX, 5-pin DMX, ArtNet, sACN, WDMX					
**** //2000 output// Ion Xe 20 Console with 2048 Outputs/Parameters to Include: 10,000 Control Channels 10,000 Cues 4 - Encoders 1 - High Resolution Level Wheel                      2 - Ethernet Port 4 - DMX Output Connectors 2 - Display Port 20 – 60mm non-motorized faders and associated displays Solid State Hard Drive USB Ports 1 – ION Xe - Dust Cover 1 - 6' Power Cord Edison 1 - 3 button scroll mouse 1 - keyboard 1 – M7183 Little LED console work light					
RSN-4OUT 4267A1021					
***** A/B Splitter Rack DMX&RDM,XLR //5 PIN DMX //					

CUNY  
QUEENSBOROUGH  
COMMUNITY COLLEGE  
PERFORMING ARTS  
CENTER  
HUMANITIES BUILDING  
222-25 56TH AVE  
BAYSIDE, NY 11364



CITY UNIVERSITY OF NEW  
YORK DEPT OF DESIGN,  
CONSTRUCTION AND MANAGEMENT  
CONTRACT NO. CITYW-CUCF-08-10  
DASN PROJECT NO. 309040



44 WEST 28TH STREET, 5 FL, NEW YORK, NY  
10001  
PHONE 212-242-3735 / FAX 212-242-7460

YSRAEL A. SEINUK  
STRUCTURAL ENGINEERING  
228 EAST 45TH STREET / NEW YORK, NY  
10017  
PHONE 212-687-9888 / FAX 646-487-5501

GC ENG & ASSOCIATES  
MEP CONSULTANT  
144 WEST 28TH STREET / NEW YORK, NY  
10001  
PHONE 212-695-5313

VTX  
ELEVATOR CONSULTANT  
TWO PENN PLAZA / NEW YORK NY  
10121  
PHONE 212-967-3074 / FAX 212-268-6684

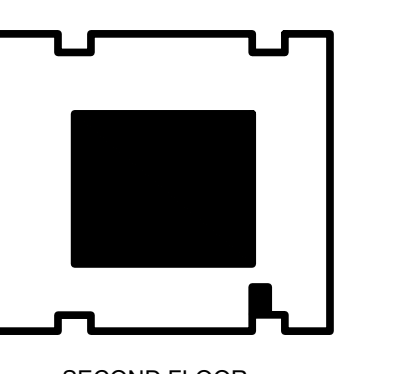
WATTS ARCHITECTURE & ENGINEERING  
HAZMAT CONSULTANT  
44 WEST 28TH STREET, 5TH FL, NEW YORK, NY  
10001  
PHONE 646-998-3677

ACCU-COST  
COST CONSULTANT  
440 NINTH AVENUE / NEW YORK NY  
10001  
PHONE 716-206-5123 / FAX 716-206-5199

SACHS MORGAN STUDIO  
THEATER DESIGN CONSULTANT  
2753 BROADWAY / NEW YORK, NY  
10025  
PHONE 212-765-4144

ESSENTIAL LIGHT DESIGN STUDIO, LLC  
LIGHTING CONSULTANT  
90 BROAD STREET / SUITE 1803 / NEW YORK NY  
10004  
PHONE 972-415-8655

03	02-14-2020	REVISED PER SITE MEETING
02	01-24-2020	ISSUED FOR AV SCOPE
01	01-07-2020	ISSUED FOR AV SCOPE
REV	DATE	DESCRIPTION

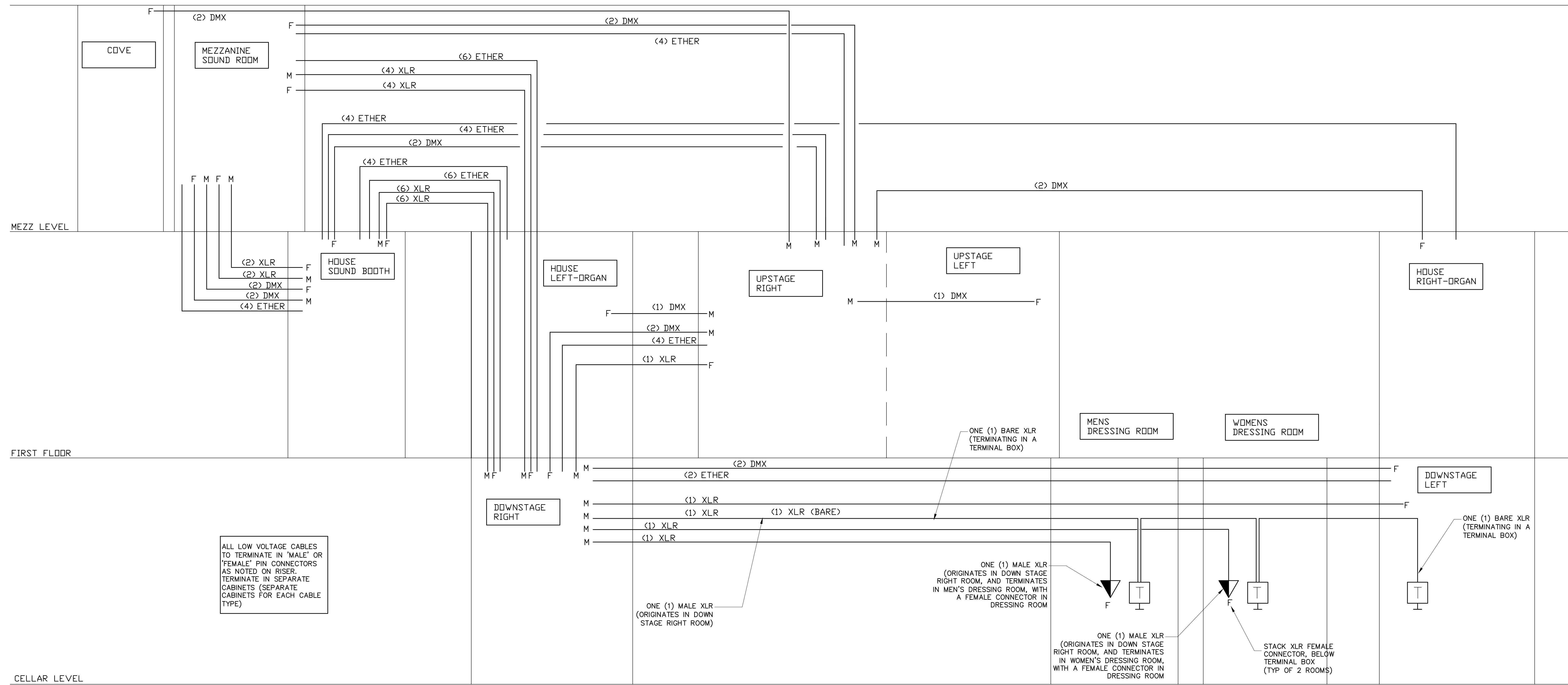


AV  
EQUIPMENT LIST  
LIGHTING

GCE Project No. - 1277.01.00
Scale: As Noted
Designed by:
Drawn by:
Checked by:
Date: 01/22/2020
Drawing No.:

AV-404.00

TO THE BEST OF MY KNOWLEDGE, BELIEF AND PROFESSIONAL JUDGMENT, THESE PLANS AND SPECIFICATIONS ARE IN COMPLIANCE WITH THE NEW YORK CITY ENERGY CONSERVATION CODE.



ALL LOW VOLTAGE CABLES TO TERMINATE IN 'MALE' OR 'FEMALE' PIN CONNECTORS AS NOTED ON RISER. TERMINATE IN SEPARATE CABINETS (SEPARATE CABINETS FOR EACH CABLE TYPE)

ONE (1) BARE XLR (TERMINATING IN A TERMINAL BOX)

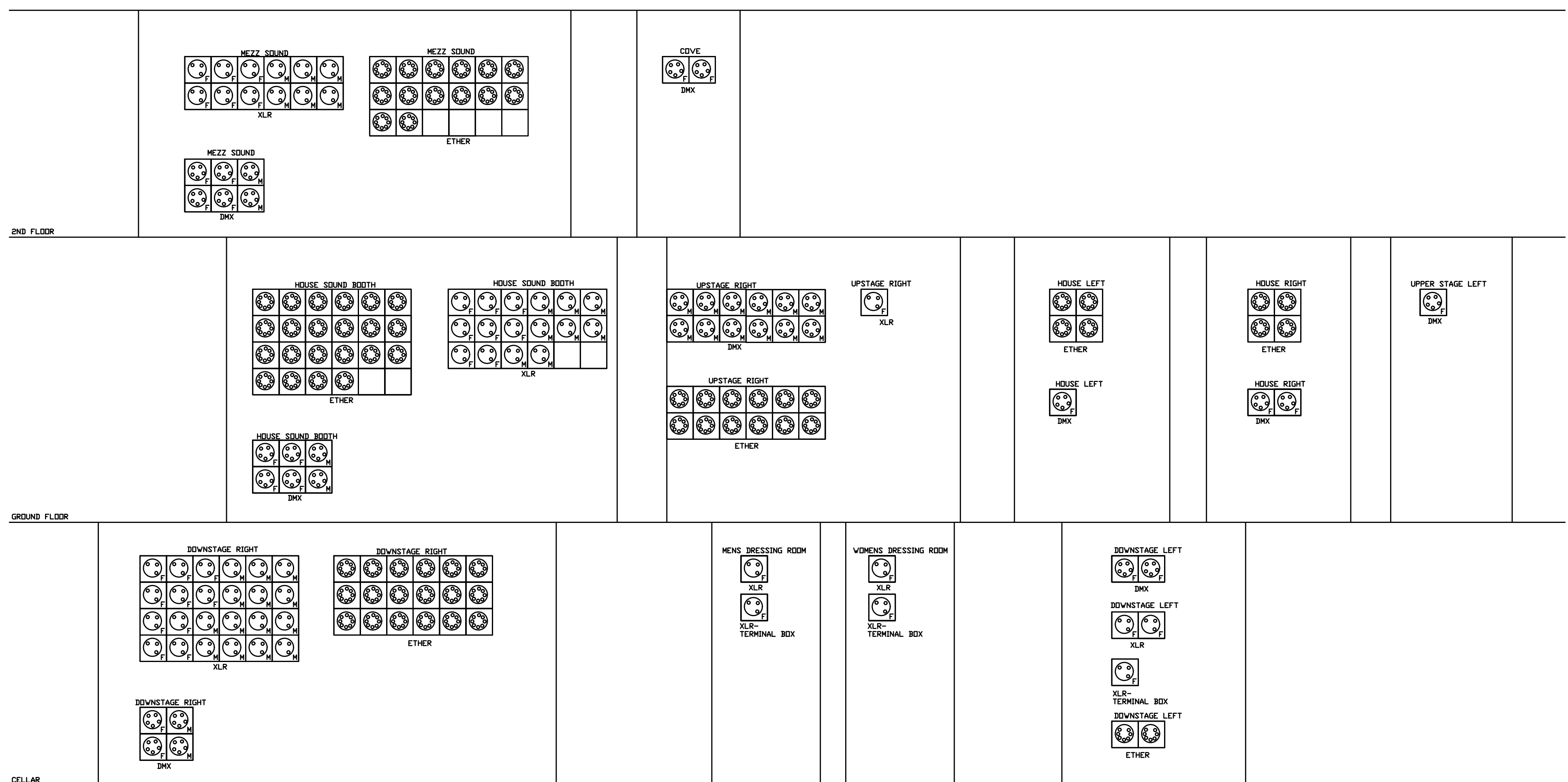
ONE (1) MALE XLR (ORIGINATES IN DOWN STAGE RIGHT ROOM, AND TERMINATES IN MEN'S DRESSING ROOM, WITH A FEMALE CONNECTOR IN DRESSING ROOM)

ONE (1) MALE XLR (ORIGINATES IN DOWN STAGE RIGHT ROOM, AND TERMINATES IN WOMEN'S DRESSING ROOM, WITH A FEMALE CONNECTOR IN DRESSING ROOM)

ONE (1) MALE XLR (ORIGINATES IN DOWN STAGE RIGHT ROOM)

STACK XLR FEMALE CONNECTOR, BELOW TERMINAL BOX (TYP OF 2 ROOMS)

**1 AV RISER**  
 A-501 SCALE: NONE



**2 AV TERMINATION RACKS**  
 A-501 SCALE: NONE

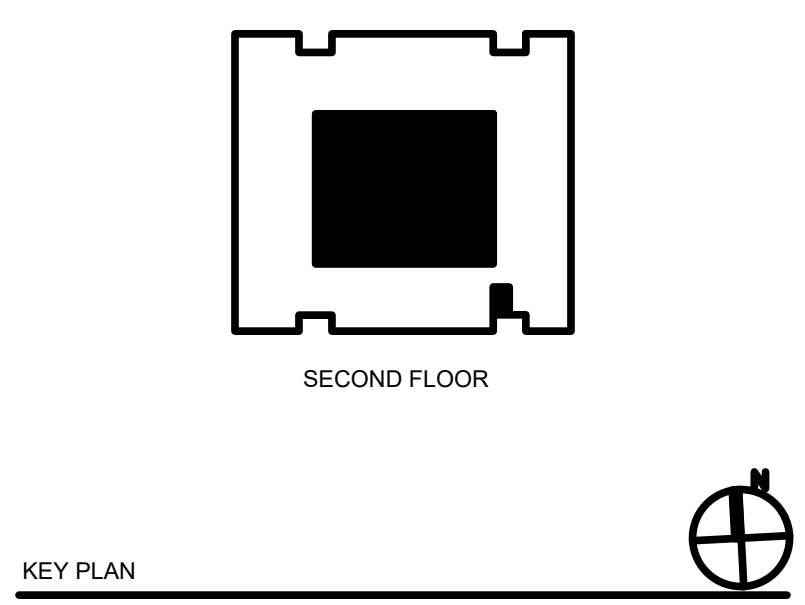
**XLR**  
 NUMBER DENOTES QUANTITY OF ACTIVE CABLES (EA FOR A 3 PIN CONNECTOR)  
 BELDEN 8779M 22 AWG  
 STANDARDIZE WIRE PULLS:  
 EACH CABLE PULL SUFFICIENT FOR FOUR (4) 3-PIN CONNECTORS, WITH OVERALL OUTER JACKET (TEFLON)  
 'M' DENOTES MALE CONNECTOR, 'F' DENOTE FEMALE CONNECTOR, WITH CONNECTOR INSTALLED AFTER CABLE PULL

**DMX**  
 NUMBER DENOTES QUANTITY OF ACTIVE CABLES (EA FOR A 5 PIN CONNECTOR)  
 BELDEN 3109A 22 AWG  
 STANDARDIZE WIRE PULLS:  
 EACH CABLE PULL SUFFICIENT FOR FOUR (4) 5-PIN CONNECTORS, WITH OVERALL OUTER JACKET (TEFLON)  
 'M' DENOTES MALE CONNECTOR, 'F' DENOTE FEMALE CONNECTOR, WITH CONNECTOR INSTALLED AFTER CABLE PULL

**ETHER**  
 NUMBER DENOTES QUANTITY OF ACTIVE CABLES (EA FOR A 8 PIN CONNECTOR)  
 BELDEN 1700S6 24 AWG (CAT 5E), OR BELDEN 1762A 24 AWG (CAT 5E)  
 STANDARDIZE WIRE PULLS:  
 EACH CABLE PULL SUFFICIENT FOR FOUR (4) 8-PIN CONNECTORS, WITH OVERALL OUTER JACKET (TEFLON)  
 INSTALL CONNECTORS AFTER CABLE PULL.

NOTE:  
 ALL CABLES IN CONDUIT.  
 ALL CABLES TO BE SHIELDED

REV	DATE	DESCRIPTION
03	02-14-2020	REVISED PER SITE MEETING
02	01-24-2020	ISSUED FOR AV SCOPE
01	01-07-2020	ISSUED FOR AV SCOPE



**AV RISER & DETAILS**

GCE Project No. 1277.01.00
Scale: As Noted
Designed by:
Drawn by:
Checked by:
Date: 01/22/2020
Drawing No.:

**AV-501.00**

TO THE BEST OF MY KNOWLEDGE, BELIEF AND PROFESSIONAL JUDGMENT, THESE PLANS AND SPECIFICATIONS ARE IN COMPLIANCE WITH THE NEW YORK CITY ENERGY CONSERVATION CODE.

**CUNY  
QUEENSBOROUGH  
COMMUNITY COLLEGE  
PERFORMING ARTS  
CENTER**  
HUMANITIES BUILDING  
222-25 56TH AVE  
BAYSIDE, NY 11364

**DORMITORY AUTHORITY OF  
THE STATE OF NEW YORK**

**CITY UNIVERSITY OF NEW  
YORK DEPT OF DESIGN,  
CONSTRUCTION AND MANAGEMENT**

CONTRACT NO. CITYW-CUCF-08-10  
DASN PROJECT NO. 309040

**GoshowArchitects**

44 WEST 28TH STREET, 5 FL, NEW YORK, NY  
10001  
PHONE 212-242-3735 / FAX 212-242-7460

YSRAEL A. SEINUK  
STRUCTURAL ENGINEERING  
228 EAST 45TH STREET / NEW YORK, NY  
10017  
PHONE 212-687-9888 / FAX 646-487-5501

GC ENG & ASSOCIATES  
MEP CONSULTANT  
141 WEST 28TH STREET / NEW YORK, NY  
10001  
PHONE 212-695-5313

VTX  
ELEVATOR CONSULTANT  
TWO PENN PLAZA / NEW YORK NY  
10121  
PHONE 212-967-3074 / FAX 212-268-6684

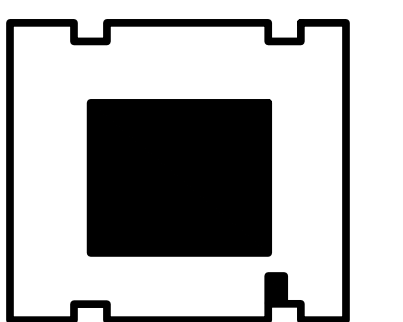
WATTS ARCHITECTURE & ENGINEERING  
HAZMAT CONSULTANT  
44 WEST 28TH STREET, 5TH FL, NEW YORK, NY  
10001  
PHONE 646-998-3677

ACCU-COST  
COST CONSULTANT  
440 NINTH AVENUE / NEW YORK NY  
10001  
PHONE 716-206-5123 / FAX 716-206-5199

SACHS MORGAN STUDIO  
THEATER DESIGN CONSULTANT  
2753 BROADWAY / NEW YORK, NY  
10025  
PHONE 212-765-4144

ESSENTIAL LIGHT DESIGN STUDIO, LLC  
LIGHTING CONSULTANT  
90 BROAD STREET / SUITE 1803 / NEW YORK NY  
10004  
PHONE 972-415-8655

REV	DATE	DESCRIPTION
03	02-14-2020	REVISED PER SITE MEETING
02	01-24-2020	ISSUED FOR AV SCOPE
01	01-07-2020	ISSUED FOR AV SCOPE



SECOND FLOOR



KEY PLAN

**AV  
SYMBOLS AND NOTES**

GCE Project No. 1277.01.00
Scale: As Noted
Designed by:
Drawn by:
Checked by:
Date: 01/22/2020
Drawing No.:

**AV-001.00**

XX OF XX

© 2014 Goshow Architects LLP

TO THE BEST OF MY KNOWLEDGE, BELIEF AND PROFESSIONAL JUDGMENT, THESE PLANS AND SPECIFICATIONS ARE IN COMPLIANCE WITH THE NEW YORK CITY ENERGY CONSERVATION CODE.

ELECTRICAL ABBREVIATIONS	
A	AMPERE
AFF	ABOVE FINISHED FLOOR
AL	ALUMINUM
AUTO	AUTOMATIC
AWG	AMERICAN WIRE GAUGE
BLDG	BUILDING
CAT	CATALOG
C	CONDUIT
CB	CIRCUIT BREAKER
CLOS	CLOSET
CKT	CIRCUIT
CM	CONSTRUCTION MANAGER
CLS	CEILING
CO	CONDUIT ONLY
COMM	COMMUNICATION
CONT	CONTINUATION
CU	COPPER
DF	DRINKING FOUNTAIN
DIAM	DIAMETER
DISC	DISCONNECT
DIV	DIVISION
DJB	DOOR CONTROL PANEL J.B.
DN	DOWN
DP	DISTRIBUTION PANELBOARD
DWG	DRAWING
EA	EACH
EB	EMERGENCY BATTERY PACK
EC	ELECTRICAL CONTRACTOR
ELEC	ELECTRICAL
ELEV	ELEVATOR
EMER (EM)	EMERGENCY
EM/NL	EMERGENCY NITE LITE
EXR	REPLACE EXISTING WITH NEW DEVICES AND WIRING
EQUIP	EQUIPMENT
ER	EXISTING TO BE RELOCATED (OLD LOCATION)
EXIST (EX, E)	EXISTING
FAI	FURNISH AND INSTALL
FBO	FURNISHED BY OTHERS
FDR	FEEDER
FDS	FUSED DISCONNECT SWITCH
FIXT	FIXTURE
FLR	FLOOR
FLEX	FLEXIBLE
FT	FEET OR FOOT
G, GND.	GROUND
HG	HUNG CEILING
JB	JUNCTION BOX
LTG	LIGHTING
MAX	MAXIMUM
MCB	MAIN CIRCUIT BREAKER
MCM	THOUSAND CIRCULAR MILS
MIN	MINIMUM
MLO	MAIN LUGS ONLY
NTS	NOT TO SCALE
PB	PULL BOX
PH	PHASE
PNL	PANEL
PWR	POWER
RECEPT	RECEPTACLE
REQ	REQUIRED
RM	ROOM
SCHED	SCHEDULE
SECT	SECTION
SP	SINGLE POLE
SPEC	SPECIFICATION
STL	STEEL
SPKR	SPEAKER
SW	SWITCH
SYS	SYSTEM
TYP	TYPICAL
UON	UNLESS OTHERWISE NOTED
V	VOLT OR VOLTAGE

GENERAL NOTES	
1.	DRAWINGS ARE DIAGRAMMATIC AND INDICATE GENERAL ARRANGEMENT OF SYSTEMS AND WORK. FOLLOW DRAWINGS IN LAYING OUT WORK AND CHECK DRAWINGS OF OTHER TRADES TO VERIFY SPACE CONDITIONS AND MAINTAIN HEADROOM.
2.	SCOPE OF WORK: LABOR, MATERIALS, EQUIPMENT, SERVICES AND FEES NECESSARY FOR THE COMPLETE AND SAFE INSTALLATION IN CONFORMITY WITH APPLICABLE CODES AND AUTHORITIES HAVING JURISDICTION; AS INDICATED ON DRAWINGS AND HEREIN SPECIFIED. SCOPE OF WORK SHALL INCLUDE BUT NOT BE LIMITED TO THE FOLLOWING: SECURING OF CERTIFICATES OF COMPLIANCE, RACEWAYS, WIRE, PANELBOARDS, CIRCUIT BREAKERS, SWITCHES, LIGHTING FIXTURES, FUSES, DEVICES, CUTTING AND PATCHING AS REQUIRED FOR NEW WORK, REMOVALS, RELOCATING OF EXISTING EQUIPMENT.
3.	ALL WORK SHALL BE DONE WHEN AND AS DIRECTED BY THE GENERAL CONTRACTOR.
4.	THE CONTRACTOR SHALL NOT ENDANGER THE STABILITY OF THE STRUCTURE OR ANY PART THEREOF BY CUTTING, DRILLING OR OTHERWISE AND SHALL NOT IN ANY WAY CUT OR ALTER THE WORK OF ANY OTHER CONTRACTOR, EXCEPT WITH THE WRITTEN CONSENT OF AND UNDER THE DIRECTION OF THE ARCHITECT OR THE GENERAL CONTRACTOR.
5.	THE DRAWINGS INDICATE AND THE SPECIFICATIONS DESCRIBE THE GENERAL ARRANGEMENT AND LOCATION OF OUTLET BOXES, ETC. THE CONTRACTOR SHALL WITHOUT EXTRA COST TO THE OWNER, MAKE ALL REASONABLE MODIFICATIONS IN THE WORK AS MAY BE REQUIRED TO PREVENT CONFLICT WITH EXISTING CONDITIONS, THE WORK OF OTHER TRADES AND FOR THE PROPER INSTALLATION OF THE WORK.
6.	EXAMINATION OF THE PREMISES: A. PRIOR TO THE SUBMISSION OF BID PROPOSAL, THE CONTRACTOR SHALL VISIT THE SITE AND EXAMINE CAREFULLY THE EXISTING CONDITIONS AND DIFFICULTIES THAT WILL BE INCURRED DURING THE PERFORMANCE OF HIS WORK. B. ARRANGE FOR SITE VISIT WITH THE BUILDING REPRESENTATIVE. C. CLAIMS FOR ADDITIONAL COMPENSATION ARISING DUE TO THE FAILURE OF THE CONTRACTOR TO EXAMINE THE PREMISES WILL NOT BE CONSIDERED.
7.	THE CONTRACTOR SHALL SECURE ALL APPROVALS AND CERTIFICATES, PAY ALL FEES FOR ALL THE WORK INSTALLED. CERTIFICATES SHALL BE DELIVERED TO THE GENERAL CONTRACTOR BEFORE FINAL PAYMENT WILL BE MADE.
8.	CONNECTIONS TO EXISTING WORK: A. INSTALL NEW WORK AND CONNECT TO EXISTING WORK WITH MINIMUM INTERFERENCE TO EXISTING FACILITIES. B. TEMPORARY SHUTDOWN OF EXISTING FACILITIES/SERVICES: 1. AT NO ADDITIONAL CHARGE 2. AT TIMES NOT TO INTERFERE WITH NORMAL OPERATION OF EXISTING FACILITIES 3. ONLY WITH THE WRITTEN CONSENT OF THE GENERAL CONTRACTOR AND THE BUILDING OWNER'S REPRESENTATIVE/BUILDING ENGINEER. C. ALARM AND EMERGENCY SYSTEMS SHALL NOT BE INTERRUPTED. D. MAINTAIN CONTINUOUS OPERATION OF EXISTING FACILITIES AS REQUIRED WITH NECESSARY TEMPORARY CONNECTIONS BETWEEN NEW AND EXISTING WORK. E. CONNECT NEW WORK TO EXISTING WORK IN NEAT AND ACCEPTABLE MANNER. RESTORE EXISTING DISTURBED WORK TO ORIGINAL CONDITION, INCLUDING MAINTENANCE OF WIRING CONTINUITY AS REQUIRED.
9.	REMOVAL AND RELOCATION OF EXISTING WORK: A. INSTALL NEW DISCONNECT, REMOVE AND/OR RELOCATE EXISTING MATERIAL, EQUIPMENT AND OTHER WORK AS NOTED OR REQUIRED FOR THE PROPER INSTALLATION OF THE NEW SYSTEM. B. DISPOSE OF ALL UNUSED ELECTRICAL EQUIPMENT AND/OR AS DIRECTED BY THE GENERAL CONTRACTOR.
10.	ALL CORE DRILLING AND CORE CHASING SHALL BE DONE ON PREMIUM TIME, UNLESS OTHERWISE DIRECTED BY OWNER AND BUILDING MANAGER.
11.	ALL CONDUITS, ETC. SHALL BE SUPPORTED FROM THE BUILDING STEEL STRUCTURE ONLY. COORDINATE WITH CONSTRUCTION MANAGER.
12.	SECURE ALL SUPPORT TO BUILDING STRUCTURE AS SPECIFIED UNDER RACEWAYS. SUPPORT HORIZONTAL RUNS OF METALLIC RACEWAYS NOT MORE THAN 10 FEET APART. SUPPORT RACEWAY RISER AT EACH FLOOR LEVEL. RUN EXPOSED RACEWAYS PARALLEL WITH OR AT RIGHT ANGLES TO WALLS.
13.	PASS RACEWAYS OVER WATER, STEAM OR OTHER PIPING WHEN PULL BOXES ARE NOT REQUIRED. NO RACEWAY SHALL BE WITHIN 3 INCHES OF STEAM OR HOT WATER PIPES OR APPLIANCES, EXCEPT CROSSINGS WHERE RACEWAY SHALL BE AT LEAST 1 INCH FROM PIPE COVER.
14.	CUT CONDUIT ENDS SQUARE, REAM SMOOTH, PAINT MALE THREADS OF FIELD THREADED RACEWAYS WITH GRAPHITE BASE PIPE COMPOUND, DRAW UP TIGHT WITH RACEWAY COUPLINGS.
15.	ALL PULLBOXES SHALL BE LABELED TO IDENTIFY EQUIPMENT BEING SERVED.
16.	LEAVE WIRE SUFFICIENTLY LONG TO PERMIT MAKING FINAL CONNECTIONS. IN RACEWAYS OVER 10 FEET IN WHICH WIRING IS NOT INSTALLED, FURNISH FISH WIRE.
17.	PULL NO THERMOPLASTIC WIRES AT TEMPERATURES LOWER THAN 32 DEG F (0 DEG C). PROVIDE CABLE SUPPORTS FOR WIRE IN RISER CONDUITS AS REQUIRED BY NATIONAL ELECTRIC CODE.
18.	SET BOXES SQUARE AND TRUE WITH BUILDING FINISH. INSTALL/ERECT ELECTRICAL EQUIPMENT/WIRING DEVICES IN ADVANCE OF FURRING AND FIRE PROOFING. SECURE TO BUILDING STRUCTURE BY ADJUSTABLE STRAP IRONS.
19.	PROVIDE SEPARATE RACEWAYS FOR CONDUCTORS OF POWER AND EACH LOW VOLTAGE SYSTEM.
20.	COORDINATE WITH ARCHITECT FOR FINAL LOCATION OF ALL FLOOR AND WALL OUTLETS.
21.	VERIFY LOCATIONS OF RECEPTACLE OUTLETS AND EQUIPMENT WITH ARCHITECTURAL DRAWINGS FOR INTERIOR DETAILS AND FINISHES IN CENTERING OUTLETS AND LOCATION OF BOXES AND OUTLETS. ALLOW FOR OVERHEAD PIPES, DUCTS AND MECHANICAL EQUIPMENT. VARIATIONS IN FIRE PROOFING AND PLASTERING, WINDOW AND DOOR TRIM, PANELING, HUNG CEILINGS AND THE LIKE AND RECTIFY ANY INACCURACY RESULTING FROM FAILURE TO DO SO WITHOUT EXPENSE TO OWNER.
22.	JUNCTION AND PULLBOXES: LOCATE GENERALLY NOT EXPOSED IN FINISHED SPACES. WHERE NECESSARY, RE-ROUTE RACEWAYS OR MAKE OTHER ARRANGEMENTS FOR CONCEALMENT. PROVIDE PULL BOXES AS INDICATED AND WHEREVER NECESSARY TO FACILITATE THE PULLING OF WIRE. COVERS OF JUNCTION AND PULLBOXES SHALL BE ACCESSIBLE. FOR EMPTY RACEWAY RUNS PROVIDE PULL BOXES EVERY 100 FEET AND AS INDICATED. COORDINATE LOCATION WITH OTHER TRADES.
23.	SUPPORT PANEL, JUNCTION AND PULL BOXES INDEPENDENTLY TO BUILDING STRUCTURE WITH NO WEIGHT BEARING ON RACEWAYS.
24.	ALL ACCESS DOOR LOCATIONS SHALL BE REVIEWED BY ARCHITECT PRIOR TO INSTALLATION.
25.	FOR COMMUNICATION TELEPHONE CONDUITS, PROVIDE PULLBOXES FOR BENDS TOTALING 180°. ALL BENDS SHALL BE WIDE ANGLE RADIIUS. PROVIDE BARRIERS IN PULLBOXES. PROVIDE PULL BOXES AFTER EVERY 100 FT. OF STRAIGHT RUNS. ALL BENDS SHALL BE WIDE SWEEPS.
26.	FOR RECEPTACLE MOUNTING HEIGHT AND POSITION, COORDINATE WITH ARCHITECT, BUILDING OWNER REPRESENTATIVE AND COMMUNICATION/DATA CONSULTANT.

**SYMBOL LIST**

	AV SPEAKER
	OUTLET BOX
	TERMINAL BOX
	LOW VOLTAGE WIRING XLR DENOTES TYPE '1' DENOTES QUANTITY OF CABLES M DENOTES MALE CONNECTOR F DENOTES FEMALE CONNECTOR
	PULL BOX
	ELECTRICAL PANEL
	DUPLEX RECEPTACLE
	DOUBLE DUPLEX (QUAD) OUTLET (RECEPTACLES)
	HOMERUN (CIRCUITS) TO PANEL
	CONDUITS TURNING UP/DOWN
	DISCONNECT SWITCH (100A SWITCH, 60A FUSED-UNFUSED EXCEPT WHERE FUSE SIZE IS INDICATED. 3 POLE 600V UNLESS OTHERWISE NOTED.
	SURFACE MOUNTED PANELBOARD, U.O.N.
	RECESSED MOUNTED PANELBOARD, U.O.N.

**XLR**  
NUMBER DENOTES QUANTITY OF ACTIVE CABLES (EA FOR A 3 PIN CONNECTOR)  
BELDEN 8779MN 22 AWG  
STANDARDIZE WIRE PULLS:  
EACH CABLE PULL SUFFICIENT FOR FOUR (4) 3-PIN CONNECTORS, WITH OVERALL OUTER JACKET (TEFLON)  
'M' DENOTES MALE CONNECTOR, 'F' DENOTE FEMALE CONNECTOR, WITH CONNECTOR INSTALLED AFTER CABLE PULL

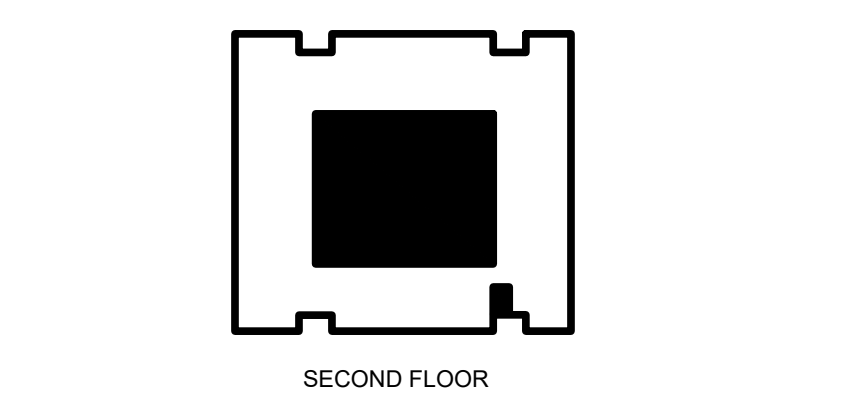
**DMX**  
NUMBER DENOTES QUANTITY OF ACTIVE CABLES (EA FOR A 5 PIN CONNECTOR)  
BELDEN 3109A 22 AWG  
STANDARDIZE WIRE PULLS:  
EACH CABLE PULL SUFFICIENT FOR FOUR (4) 5-PIN CONNECTORS, WITH OVERALL OUTER JACKET (TEFLON)  
'M' DENOTES MALE CONNECTOR, 'F' DENOTE FEMALE CONNECTOR, WITH CONNECTOR INSTALLED AFTER CABLE PULL

**ETHER**  
NUMBER DENOTES QUANTITY OF ACTIVE CABLES (EA FOR A 8 PIN CONNECTOR)  
BELDEN 1700S6 24 AWG (CAT 5E),  
OR BELDEN 1762A 24 AWG (CAT 5E)  
STANDARDIZE WIRE PULLS:  
EACH CABLE PULL SUFFICIENT FOR FOUR (4) 8-PIN CONNECTORS, WITH OVERALL OUTER JACKET (TEFLON)  
INSTALL CONNECTORS AFTER CABLE PULL.

NOTE:  
ALL CABLES IN CONDUIT.  
ALL CABLES TO BE SHIELDED

DRAWING LIST	
AV-001	AV SYMBOLS AND GENERAL NOTES
AV-101	CELLAR POWER & AV PLAN
AV-102	FIRST FLOOR POWER & AV PLAN
AV-103	SECOND FLOOR POWER & AV PLAN
AV-104	CELLAR & FIRST FLOOR POWER PLAN
AV-401	AV DETAILS
AV-402	AV EQUIPMENT LIST
AV-403	AV EQUIPMENT LIST
AV-404	AV EQUIPMENT LIST
AV-501	AV RISER AND DETAILS
AV-502	ELECTRICAL RISER AND PANEL SCHEDULES

REV	DATE	DESCRIPTION
03	02-14-2020	REVISED PER SITE MEETING
02	01-24-2020	ISSUED FOR AV SCOPE
01	01-07-2020	ISSUED FOR AV SCOPE



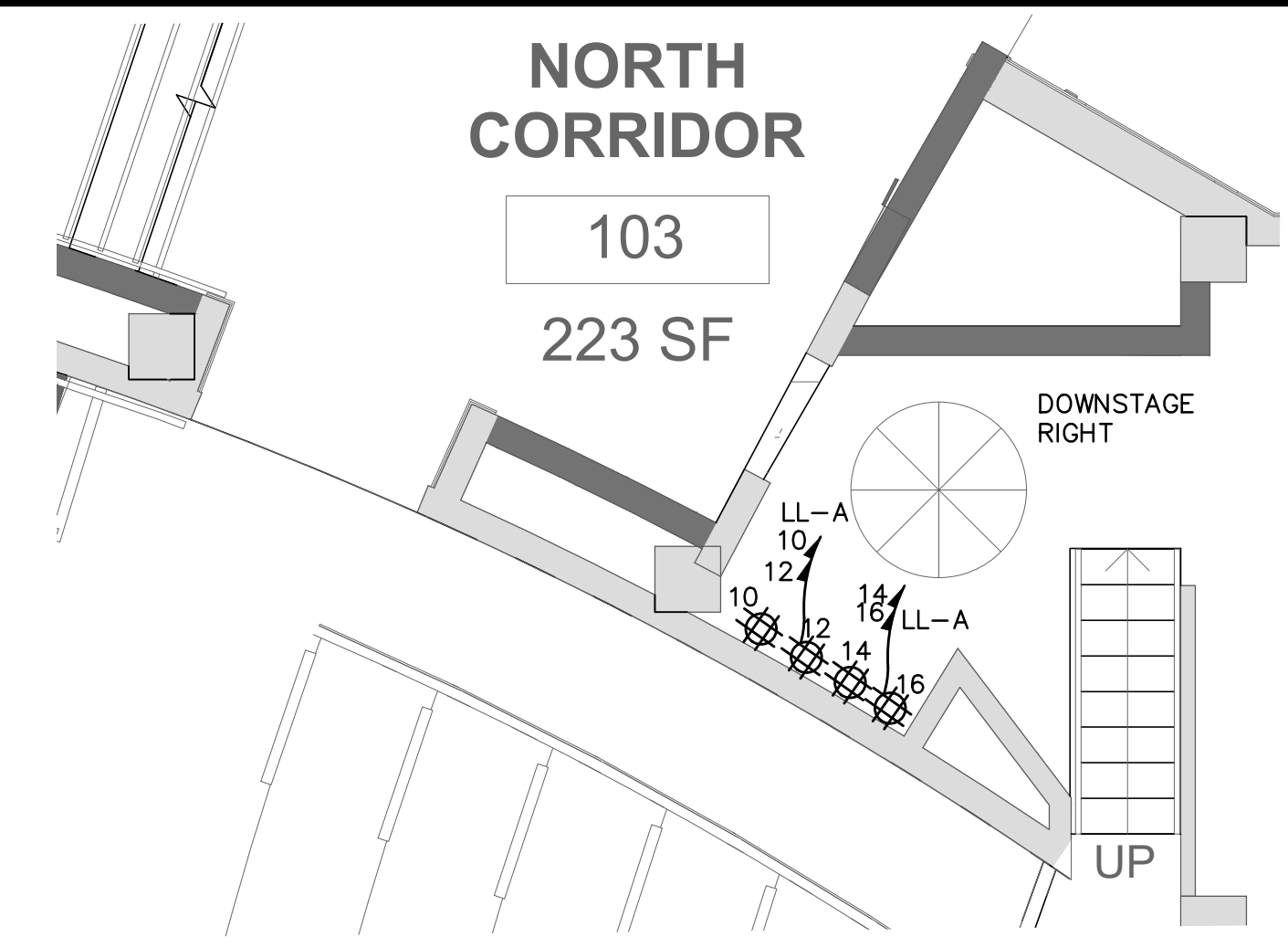
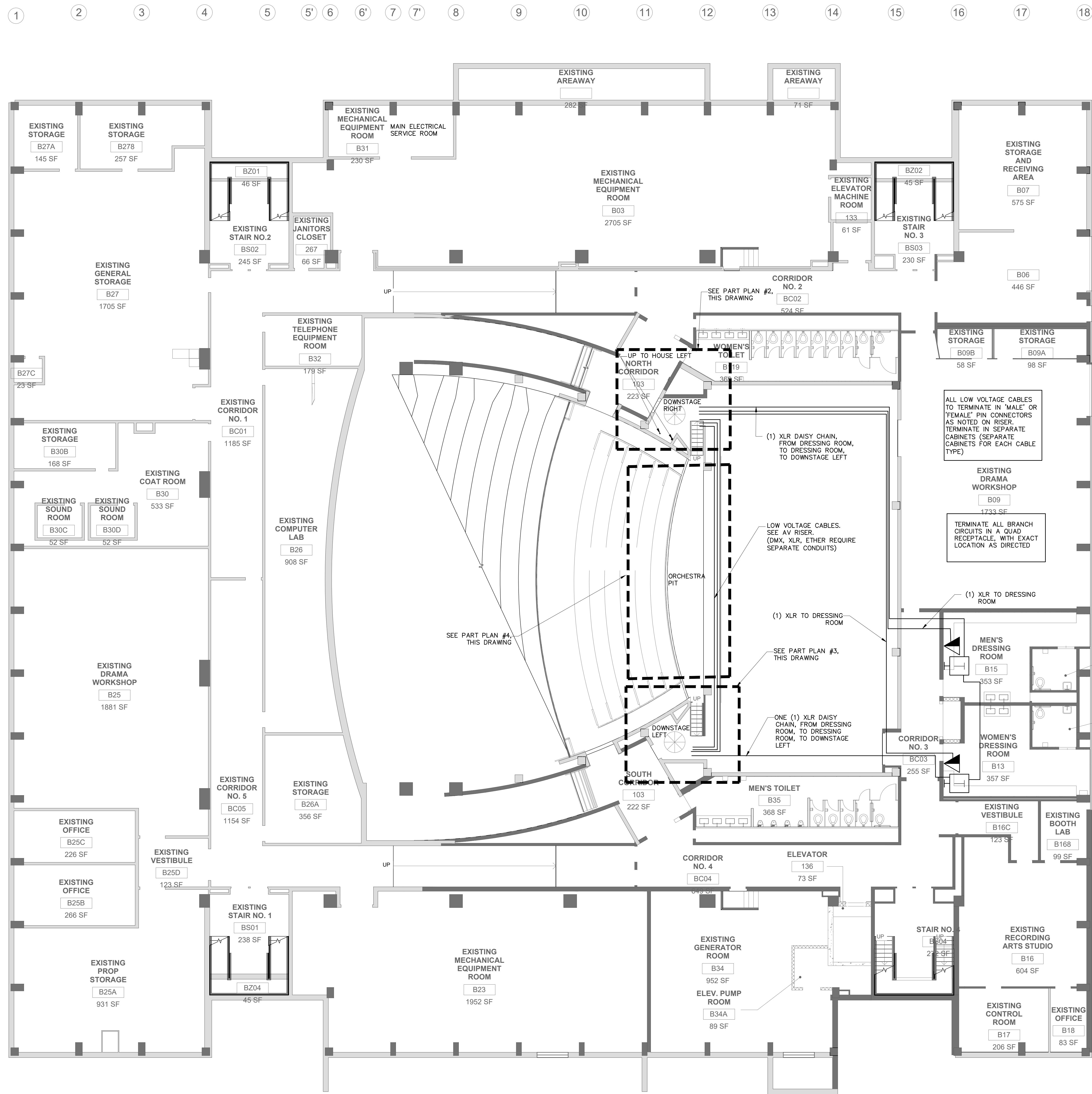
CELLAR  
POWER AND AV PLAN

CELLAR  
POWER AND AV PLAN

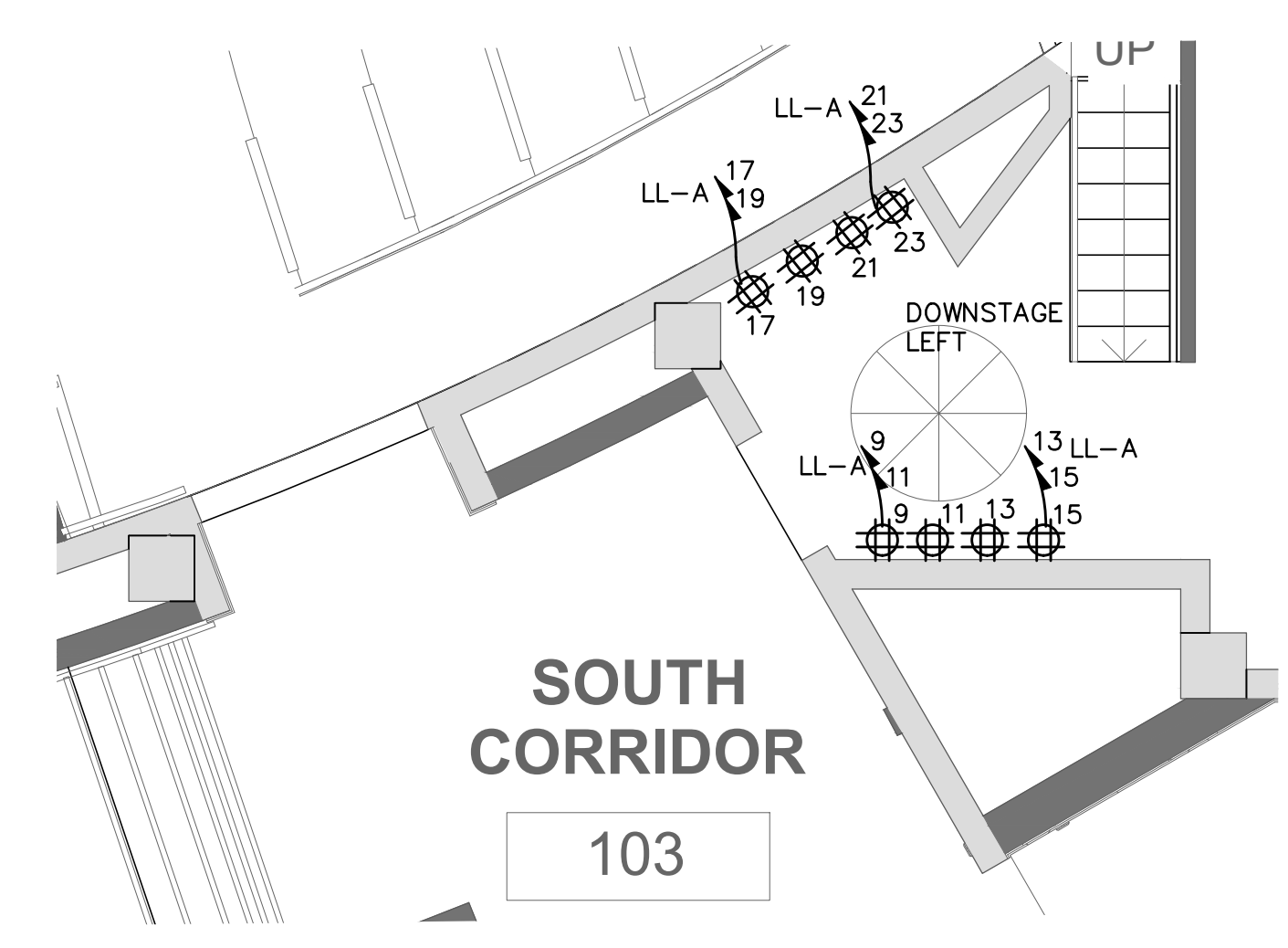
GCE Project No. - 1277.01.00
Scale: As Noted
Designed by:
Drawn by:
Checked by:
Date: 01/22/2020
Drawing No.:

AV-101.00

TO THE BEST OF MY KNOWLEDGE, BELIEF AND PROFESSIONAL JUDGMENT, THESE PLANS AND SPECIFICATIONS ARE IN COMPLIANCE WITH THE NEW YORK CITY ENERGY CONSERVATION CODE.



2 CELLAR PART PLAN-POWER  
AV-101 SCALE: 1/4" = 1'-0"



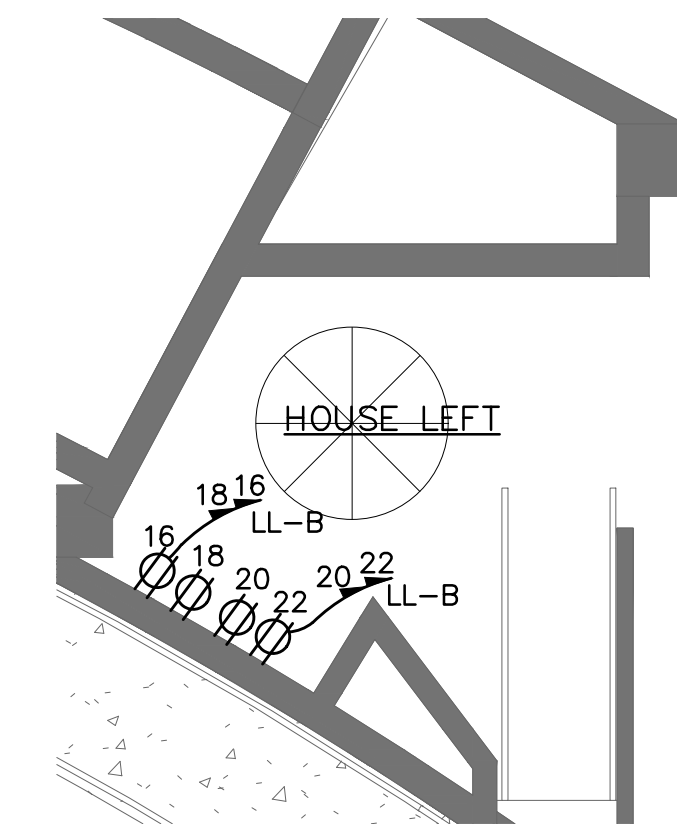
3 CELLAR PART PLAN POWER  
AV-101 SCALE: 1/4" = 1'-0"

- I
- J
- K
- L
- M
- N
- O
- P

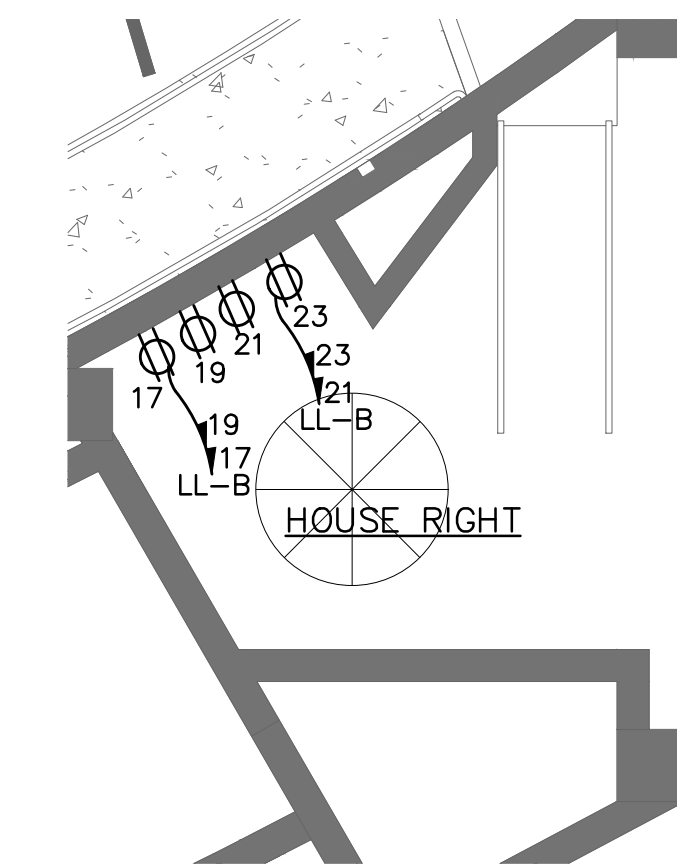
1 CELLAR POWER AND AV PLAN  
AV-101 SCALE: 1/8" = 1'-0"

REV	DATE	DESCRIPTION
03	02-14-2020	REVISED PER SITE MEETING
02	01-24-2020	ISSUED FOR AV SCOPE
01	01-07-2020	ISSUED FOR AV SCOPE

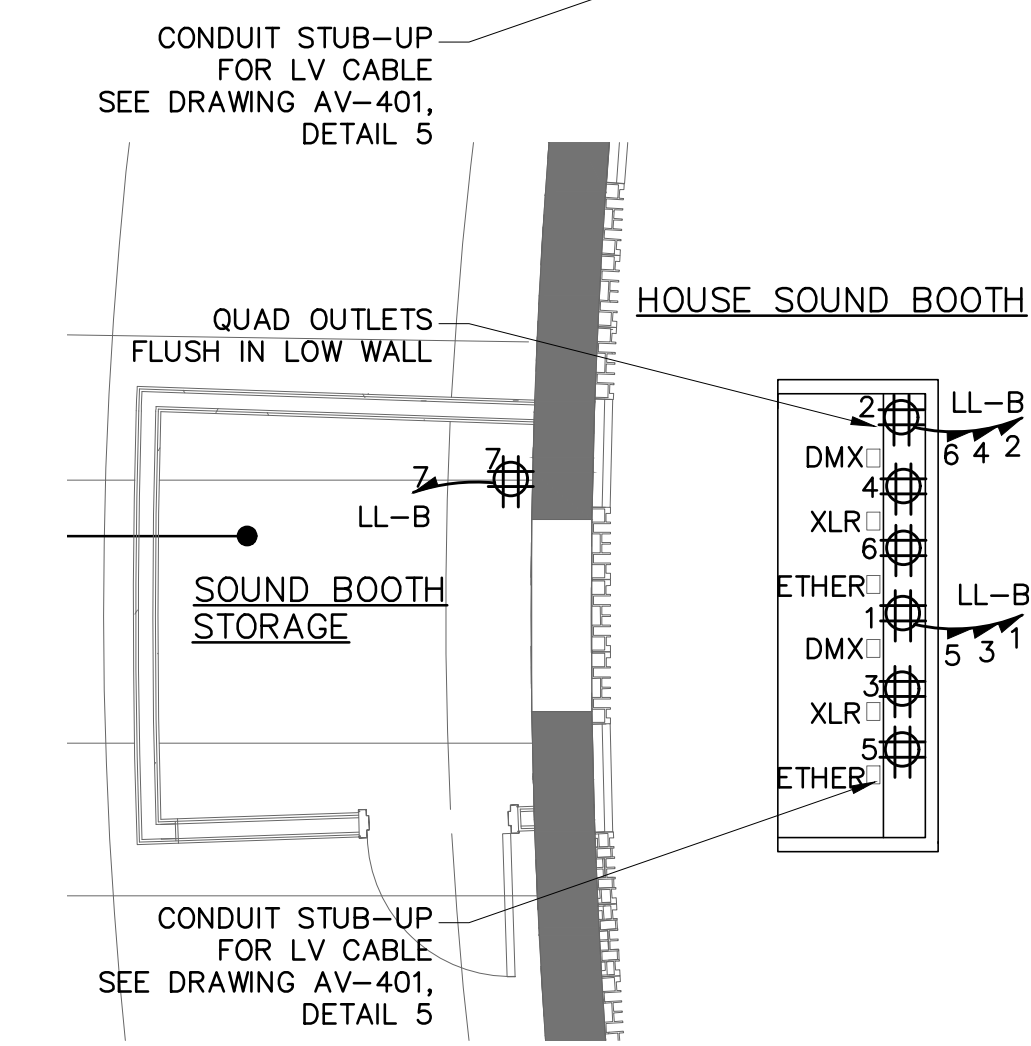
REV DATE DESCRIPTION



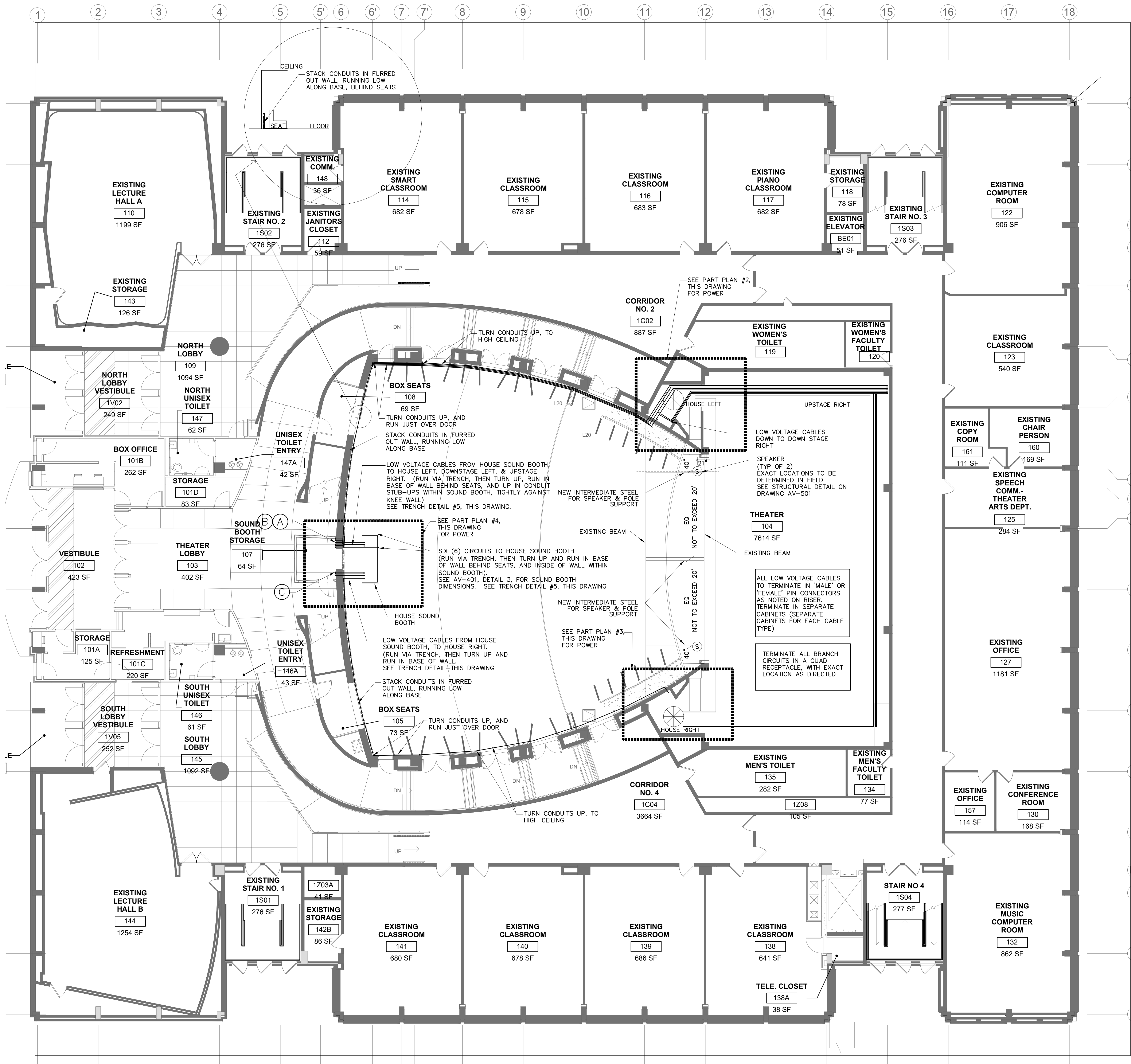
2 1ST FL ELECTRICAL PART PLAN  
AV-102 SCALE: 1/4" = 1'-0"



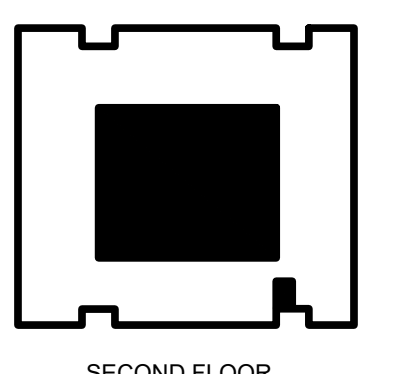
3 1ST FL ELECTRICAL PART PLAN  
AV-102 SCALE: 1/4" = 1'-0"



4 1ST FL ELECTRICAL PART PLAN  
AV-102 SCALE: 1/4" = 1'-0"



1 FIRST FLOOR AV PLAN  
AV-102 SCALE: 1/8" = 1'-0"



KEY PLAN

FIRST FLOOR  
POWER & AV PLAN  
& DETAILS

- (A) LOW VOLTAGE CABLES FROM MEZZANINE SOUND BOOTH, TO DOWNSTAGE RIGHT, HOUSE LEFT AND UPSTAGE RIGHT (DMX, XLR, ETHER REQUIRE SEPARATE CONDUITS)
- (B) EIGHT (8) 20 AMP DEDICATED CIRCUITS VIA TWO (2) 3/4" CONDUITS (TO MEZZ SOUND BOOTH)
- (C) LOW VOLTAGE CABLES FROM HOUSE SOUND BOOTH, AND UP TO MEZZ SOUND BOOTH (DMX, XLR, ETHER, EACH REQUIRES A SEPARATE CONDUIT)

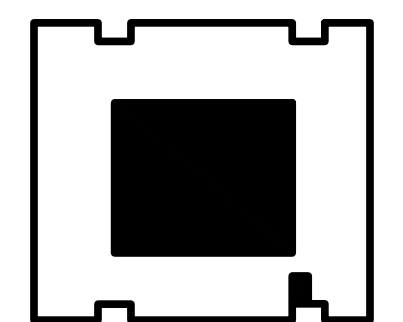
GCE Project No.:	1277.01.00
Scale:	As Noted
Designed by:	
Drawn by:	
Checked by:	
Date:	01/02/2020
Drawing No.:	

AV-102.00

TO THE BEST OF MY KNOWLEDGE, BELIEF AND PROFESSIONAL JUDGMENT, THESE PLANS AND SPECIFICATIONS ARE IN COMPLIANCE WITH THE NEW YORK CITY ENERGY CONSERVATION CODE.

REVISED PER SITE MEETING

REV	DATE	DESCRIPTION
01	01-07-2020	ISSUED FOR AV SCOPE



SECOND FLOOR

KEY PLAN

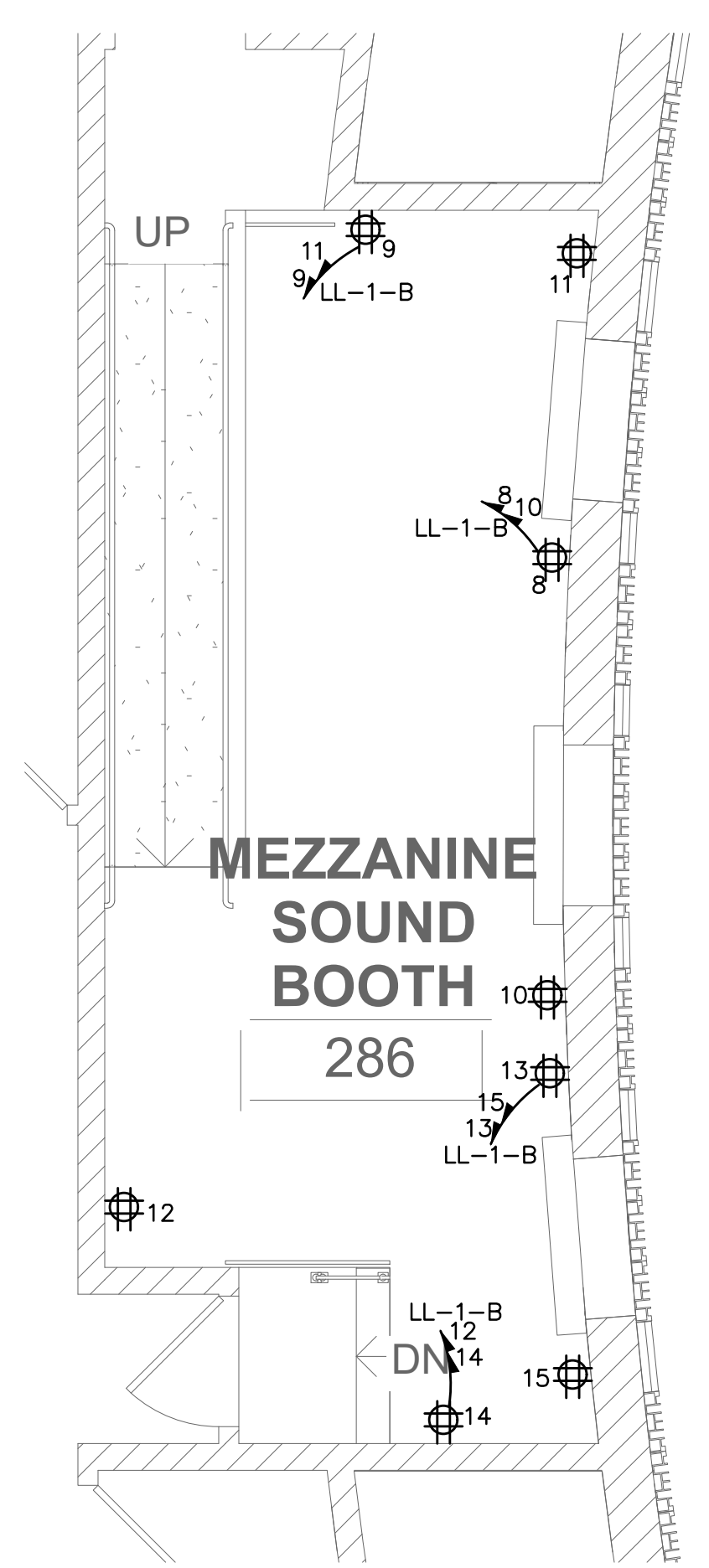
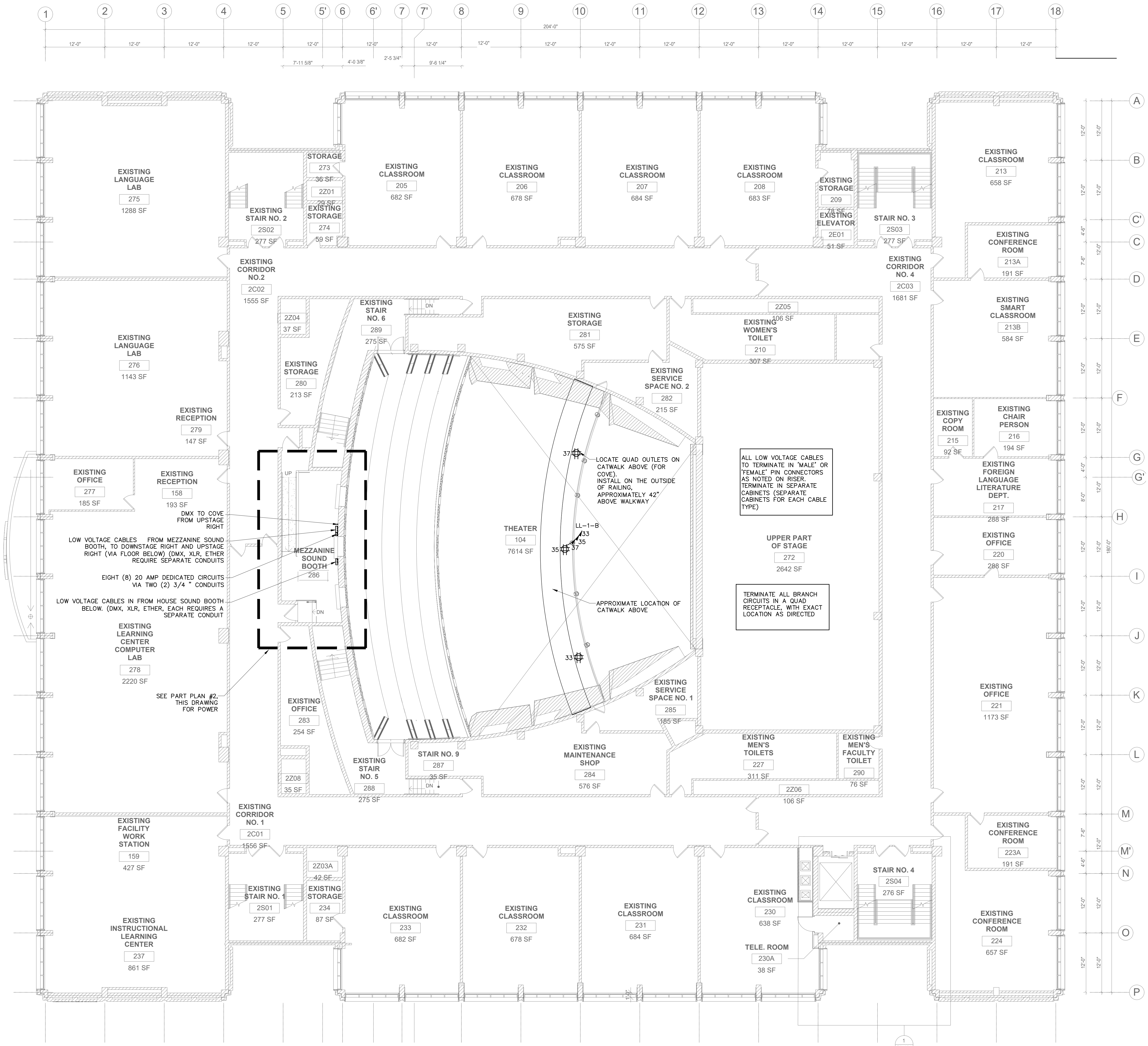
SECOND FLOOR  
 POWER & AV PLAN

GCE Project No. - 1277.01.00
Scale: As Noted
Designed by:
Drawn by:
Checked by:
Date: 01/22/2020
Drawing No.:

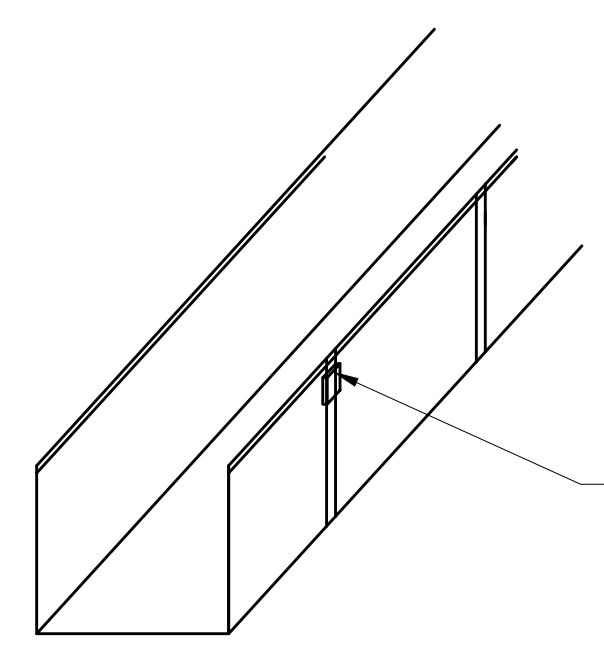
AV-103.00

XX OF XX

TO THE BEST OF MY KNOWLEDGE, BELIEF AND  
 PROFESSIONAL JUDGMENT, THESE PLANS AND  
 SPECIFICATIONS ARE IN COMPLIANCE WITH THE  
 NEW YORK CITY ENERGY CONSERVATION CODE.



2 SECOND FLOOR PART PLAN  
 AV-103 SCALE: 1/4" = 1'-0"



3 CAT WALK ELEVATION  
 AV-103 SCALE: NONE

1 SECOND FLOOR POWER AND AV PLAN  
 AV-103 SCALE: 1/8" = 1'-0"

**CUNY  
QUEENSBOROUGH  
COMMUNITY COLLEGE  
PERFORMING ARTS  
CENTER**  
HUMANITIES BUILDING  
222-25 56TH AVE  
BAYSIDE, NY 11364

**DORMITORY AUTHORITY OF  
THE STATE OF NEW YORK**

**CITY UNIVERSITY OF NEW  
YORK DEPT. OF DESIGN,  
CONSTRUCTION AND MANAGEMENT**

CONTRACT NO. CITYW-CUCF-08-10  
DASN PROJECT NO. 309040

**GoshowArchitects**

44 WEST 28TH STREET, 5 FL., NEW YORK, NY  
10001  
PHONE 212-242-3735 / FAX 212-242-7460

YSRAEL A. SEINUK  
STRUCTURAL ENGINEERING  
228 EAST 45TH STREET / NEW YORK, NY  
10017  
PHONE 212-687-9888 / FAX 646-487-5501

GC ENG & ASSOCIATES  
MEP CONSULTANT  
141 WEST 28TH STREET / NEW YORK, NY  
10001  
PHONE 212-695-5313

VTX  
ELEVATOR CONSULTANT  
TWO PENN PLAZA / NEW YORK NY  
10121  
PHONE 212-967-3074 / FAX 212-268-6884

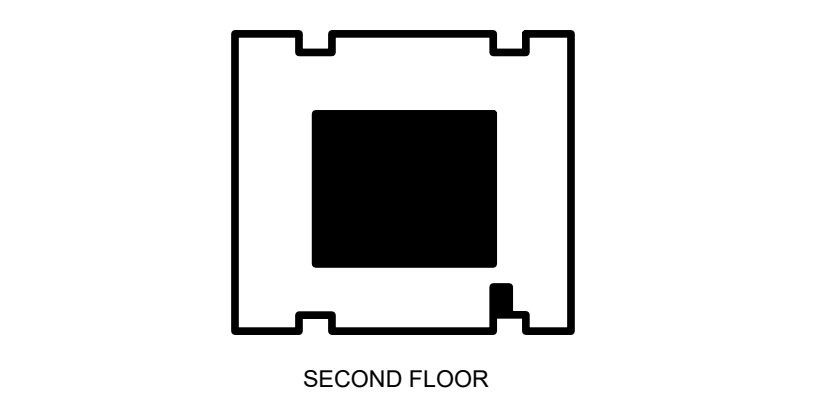
WATTS ARCHITECTURE & ENGINEERING  
HAZMAT CONSULTANT  
44 WEST 28TH STREET, 5TH FL., NEW YORK, NY  
10001  
PHONE 646-998-3677

ACCU-COST  
COST CONSULTANT  
440 NINTH AVENUE / NEW YORK NY  
10001  
PHONE 716-206-5123 / FAX 716-206-5199

SACHS MORGAN STUDIO  
THEATER DESIGN CONSULTANT  
2753 BROADWAY / NEW YORK, NY  
10025  
PHONE 212-765-4144

ESSENTIAL LIGHT DESIGN STUDIO, LLC  
LIGHTING CONSULTANT  
90 BROAD STREET / SUITE 1803 / NEW YORK NY  
10004  
PHONE 972-415-8655

REV	DATE	DESCRIPTION
03	02-14-2020	REVISED PER SITE MEETING
02	01-24-2020	ISSUED FOR AV SCOPE
01	01-07-2020	ISSUED FOR AV SCOPE



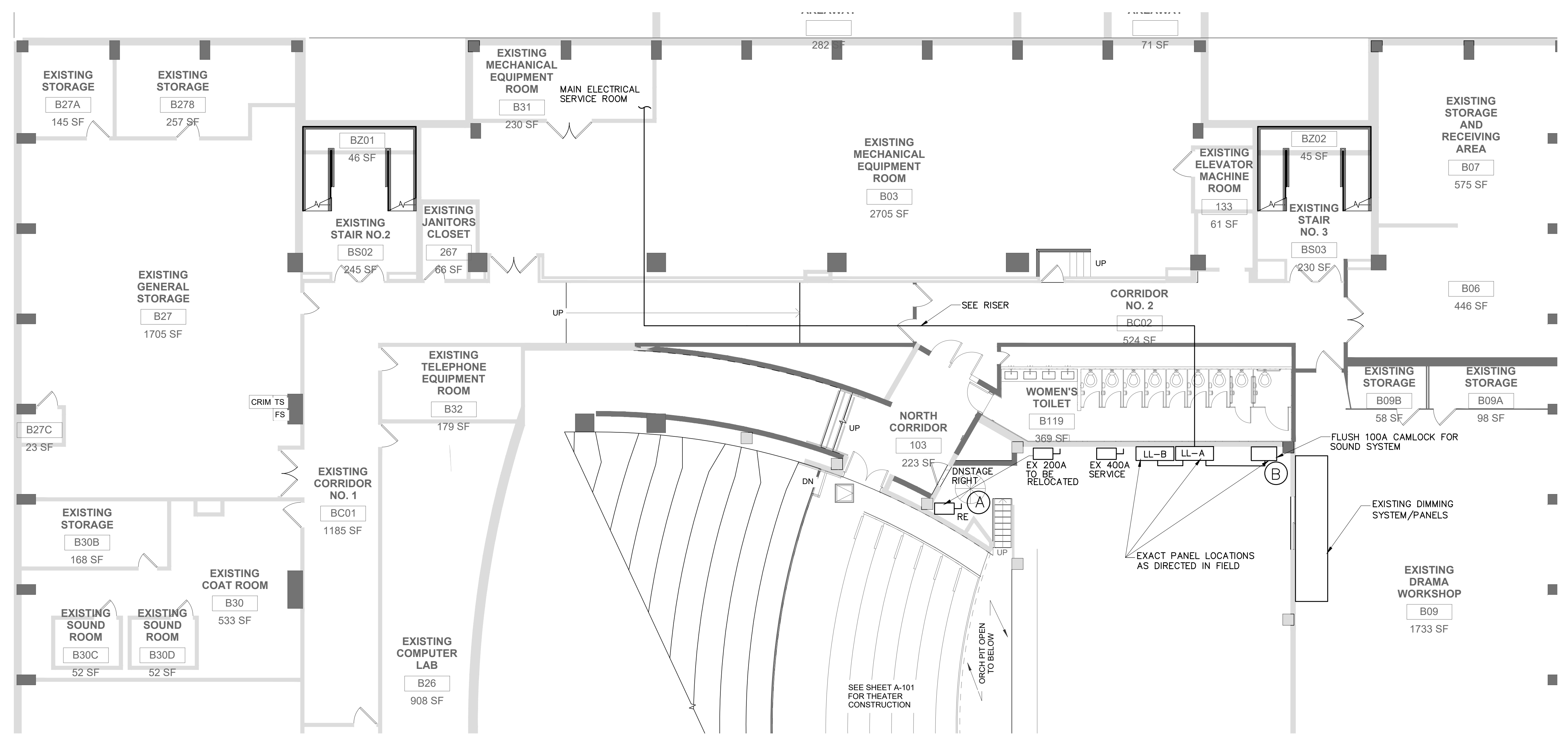
KEY PLAN

**CELLAR POWER PLAN  
AND SECOND FLOOR  
POWER & LIGHTING PLAN**

GCE Project No. - 1277.01.00
Scale: As Noted
Designed by:
Drawn by:
Checked by:
Date: 01/22/2020
Drawing No.:

**AV-104.00**

© 2014 Goshow Architects LLP



**1 CELLAR POWER PLAN**  
AV-104 SCALE: 1/8" = 1'-0"

NOTES:  
1. ALLOW TO INSTALL NEW PIPES AS INDICATED. PIPE LENGTH SHALL BE INSTALLED TO BE WITHIN 4 FT OF THEATER PERIMETER WALLS. (EXISTING PIPES WERE REMOVED DURING DEMOLITION). EXACT LOCATION TO BE DETERMINED IN THE FIELD WITH END USERS (TYP).

(A) RELOCATE EXISTING 200 AMP SERVICE (Ø120/208 VOLTS) TO NEW LOCATION FOR DIMMER RACK (SAME GENERAL LOCATION/ROOM). EXTEND FEEDER AS REQUIRED. (4#3/0 + GRD) FINAL TERMINATION IS A FLUSH CAMLOCK

(B) PROVIDE 100 AMP SERVICE (Ø120/208 VOLTS) TO NEW CAMLOCK DEVICE (FLUSH). CONNECT TO NEW 100 AMP SUB-FEED BREAKER. RUN 4#2 + GRD)

(C) CONTRACTOR SHALL TRACE EXISTING LIGHTING CIRCUITS AND IDENTIFY. FOR BASE BID, ALLOW TO RUN NEW CIRCUITS FROM POLE (SEE PLAN), TO EXISTING PANEL(S) AT STAGE. EXISTING CONDUIT MAY BE REUSED WHERE AVAILABLE

(D) INSTALL NEW PIGTAILS FOR LIGHTING (12-18") AS DIRECTED, WITH 3-PIN CONNECTOR

(E) INSTALL NEW PIGTAILS FOR LIGHTING (12-18") AS DIRECTED, WITH 3-PIN CONNECTOR

(F) BALCONY: RESTORE 12 LIGHTING CIRCUITS. PROVIDE NEW TROUGH AND EQUALLY SPACED JUNCTION BOXES (4 J.B.'S WITH 3 CIRCUITS EACH)

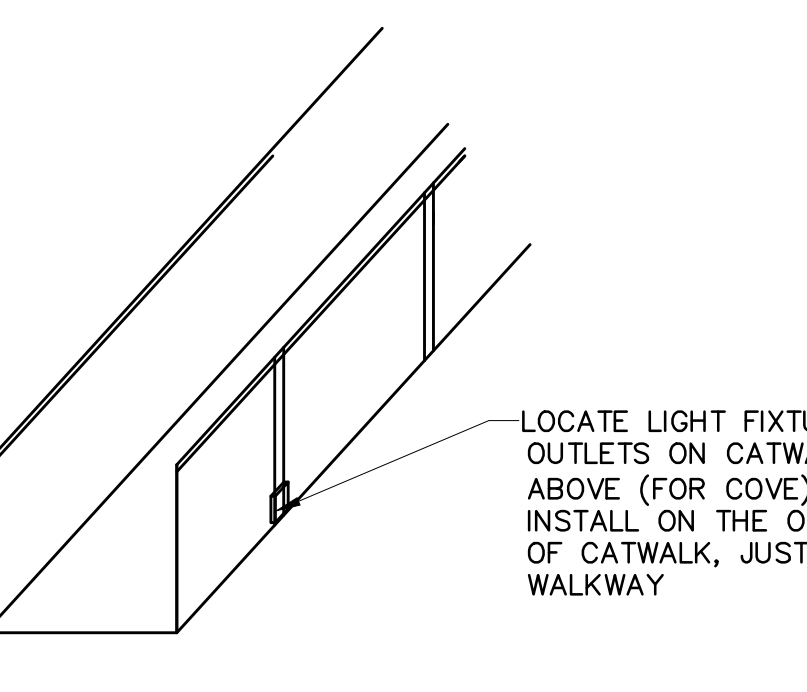
(G) COVE/CATWALK: RESTORE 28 LIGHTING CIRCUITS. PROVIDE NEW TROUGH AND EQUALLY SPACED JUNCTION BOXES (7 J.B.'S WITH 4 CIRCUITS EACH)

(H) FRONT OF HOUSE (FOH): RESTORE 8 LIGHTING CIRCUITS. PROVIDE NEW TROUGH AND EQUALLY SPACED JUNCTION BOXES (4 J.B.'S WITH 2 CIRCUITS EACH)

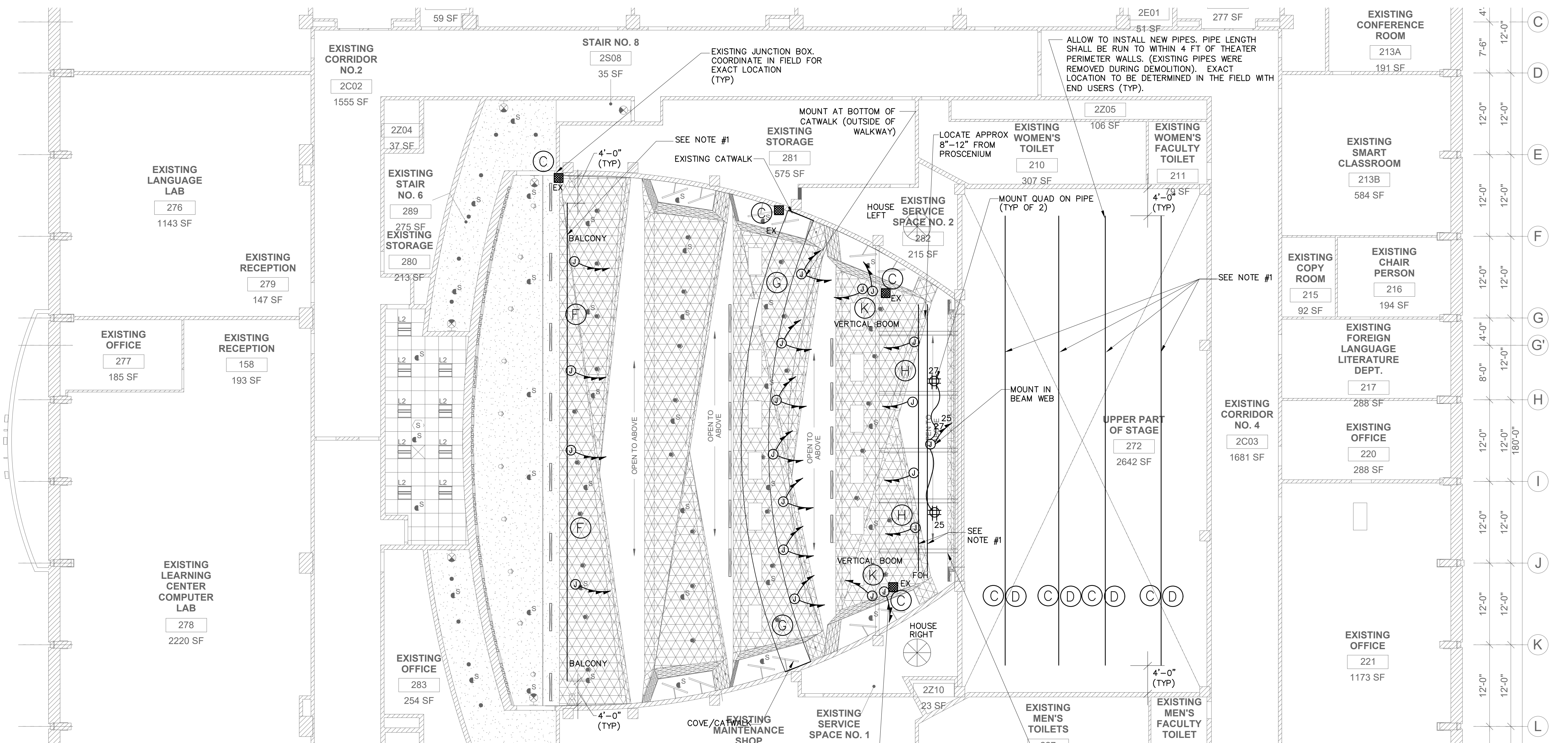
(K) 2 VERTICAL BOOMS (ONE PER SIDE): RESTORE 8 LIGHTING CIRCUITS, 4 PER BOOM. PROVIDE NEW TROUGHS AND EQUALLY SPACED JUNCTION BOXES (2 J.B.'S WITH 2 CIRCUITS EACH, PER SIDE) BOOMS SHALL BE LOCATED BEHIND ARCHITECTURAL PANELING. PROVIDE BLOCKING IN WALLS AS REQUIRED FOR BOOMS.

(L) ALL "PIPES" INDICATED FOR THEATER LIGHTING SHALL BE 1-1/4", SCHEDULE 40 PIPE

(M) ALL "PIPES" INDICATED FOR THEATER LIGHTING ARE NEW & SHALL BE 1-1/4", SCHEDULE 40 PIPE. INSTALL WIRING TROUGH TO SLAB ABOVE "PIPE". CONNECT "PIGTAILS" FROM TROUGH, TO WITHIN REACH OF LIGHT FIXTURE MOUNTED TO PIPE



LOCATE LIGHT FIXTURE OUTLETS ON CATWALK ABOVE (FOR COVE). INSTALL ON THE OUTSIDE OF CATWALK, JUST BELOW WALKWAY

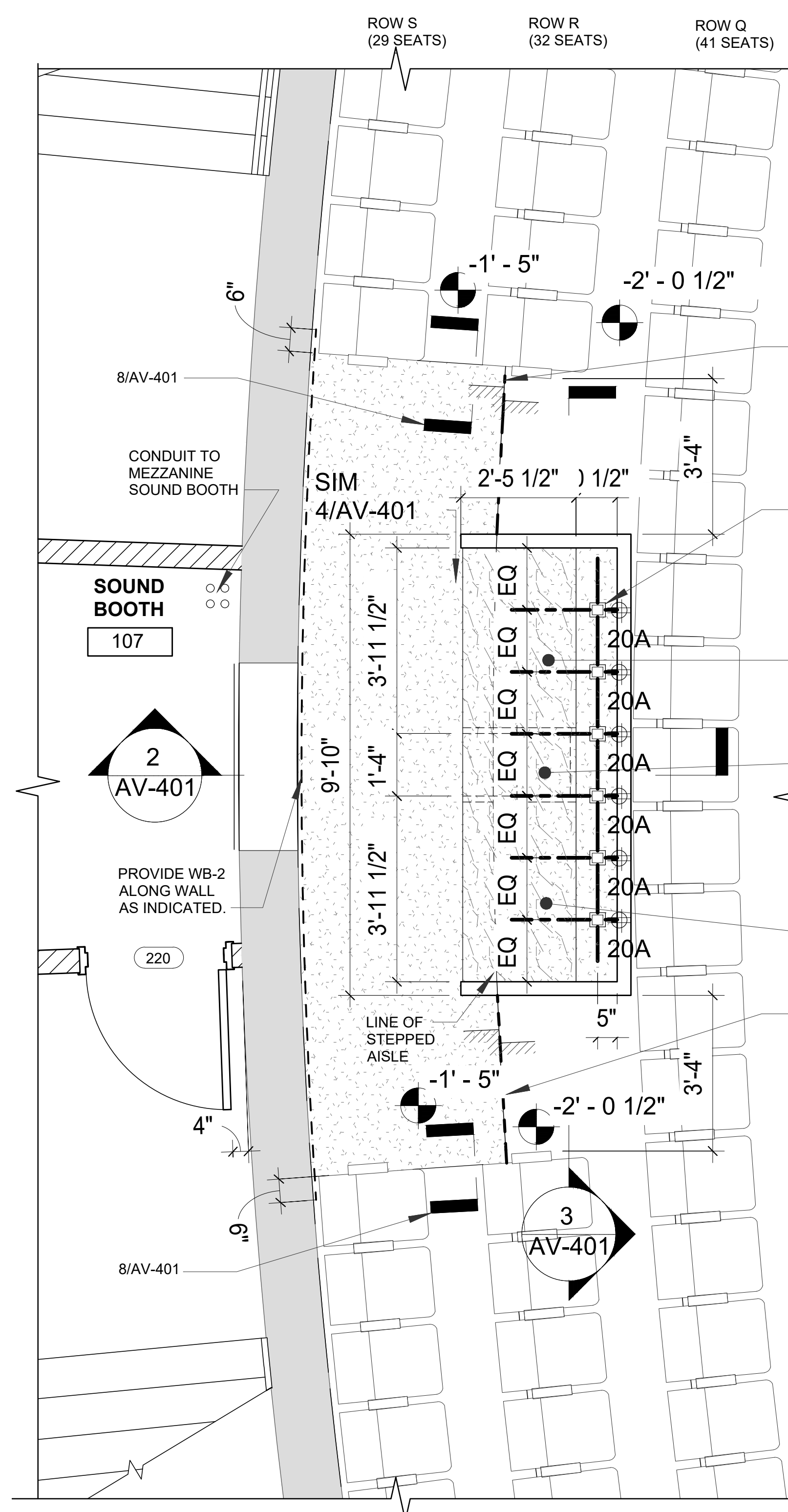


**2 SECOND FLOOR POWER & LIGHTING PLAN**  
AV-104 SCALE: 1/8" = 1'-0"

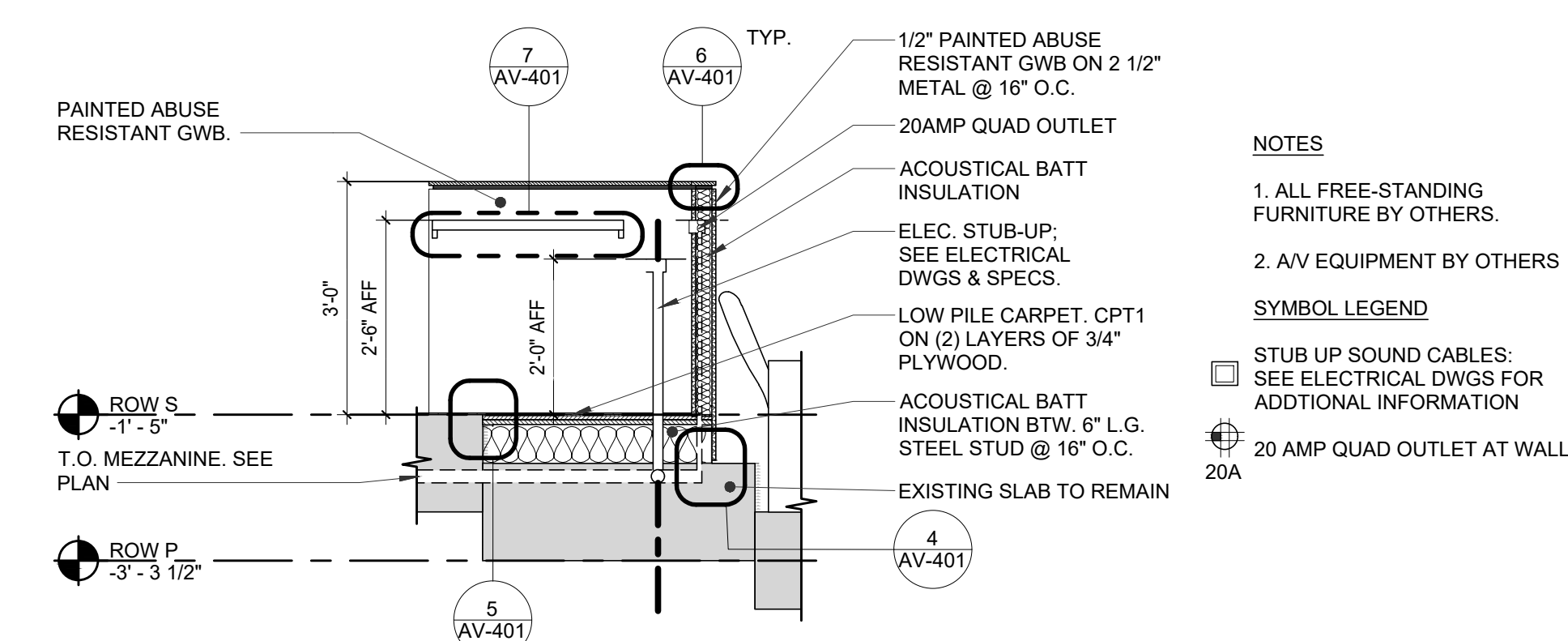
FOR VERTICAL BOOMS, ONE VERTICAL BOOM PER SIDE (TYP FOR EACH SIDE OF STAGE)

W6X15 BEAMS FOR SPEAKER SUPPORT, LENGTH OF 4-1/2" THREADED RODS TO BE DETERMINED IN THE FIELD

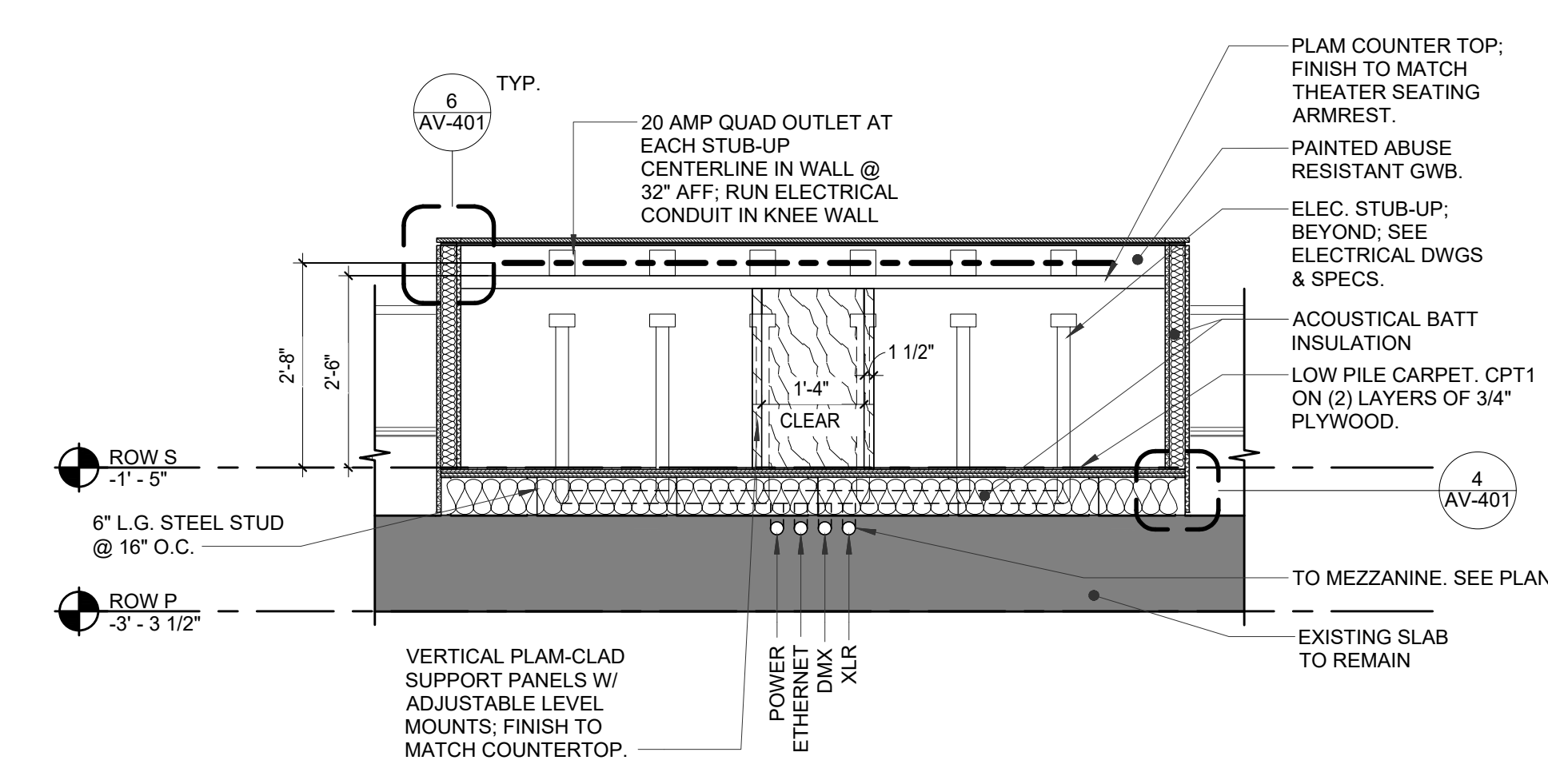
TO THE BEST OF MY KNOWLEDGE, BELIEF AND PROFESSIONAL JUDGMENT, THESE PLANS AND SPECIFICATIONS ARE IN COMPLIANCE WITH THE NEW YORK CITY ENERGY CONSERVATION CODE.



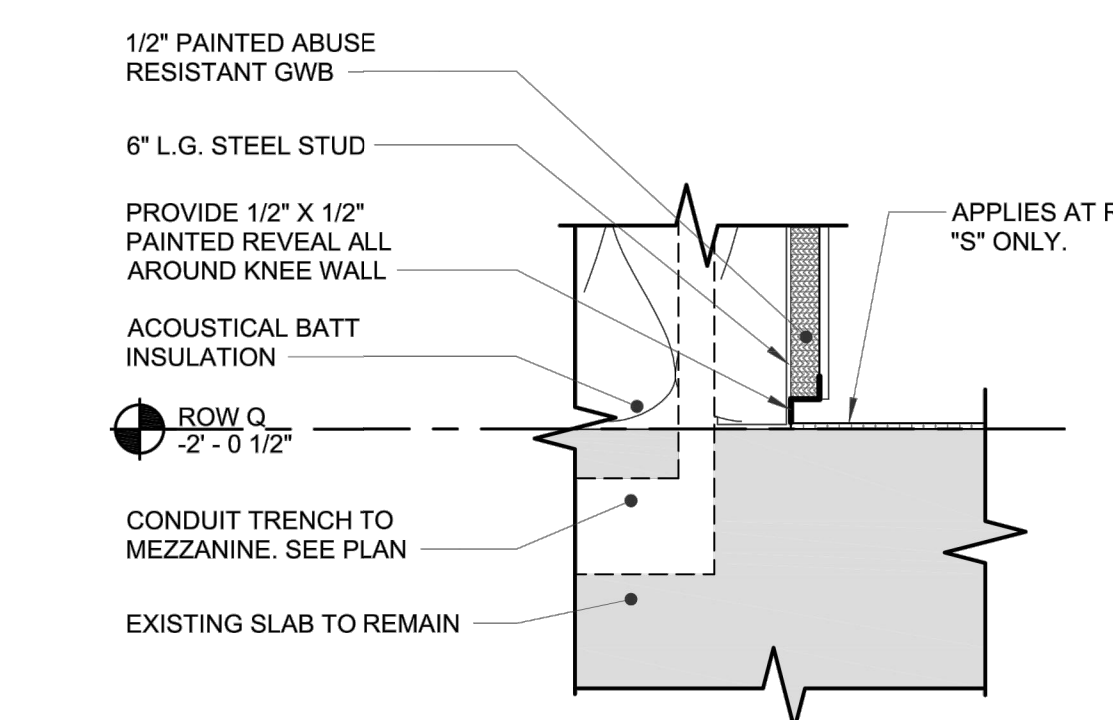
**1 THEATER SEATING PLAN (AV Console)**  
AV-401 SCALE: 1/2" = 1'-0"



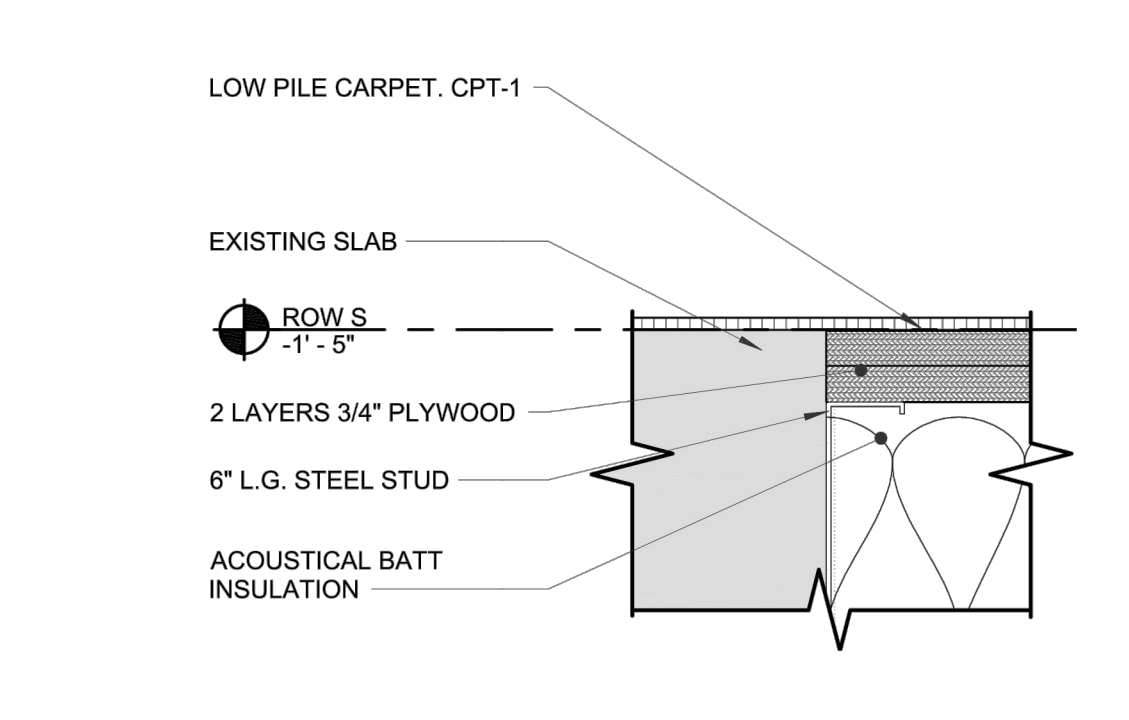
**2 AV CONSOLE SECTION**  
AV-401 SCALE: 1/2" = 1'-0"



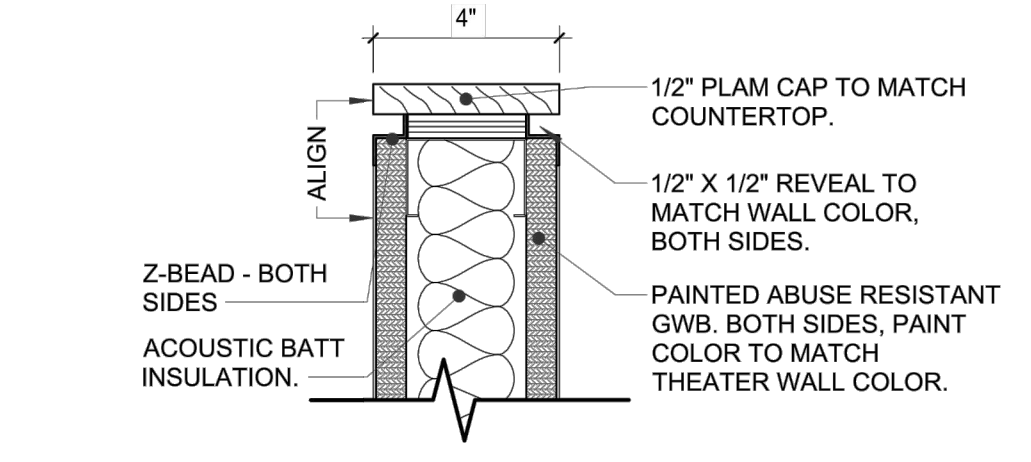
**3 AV CONSOLE SECTION**  
AV-401 SCALE: 1/2" = 1'-0"



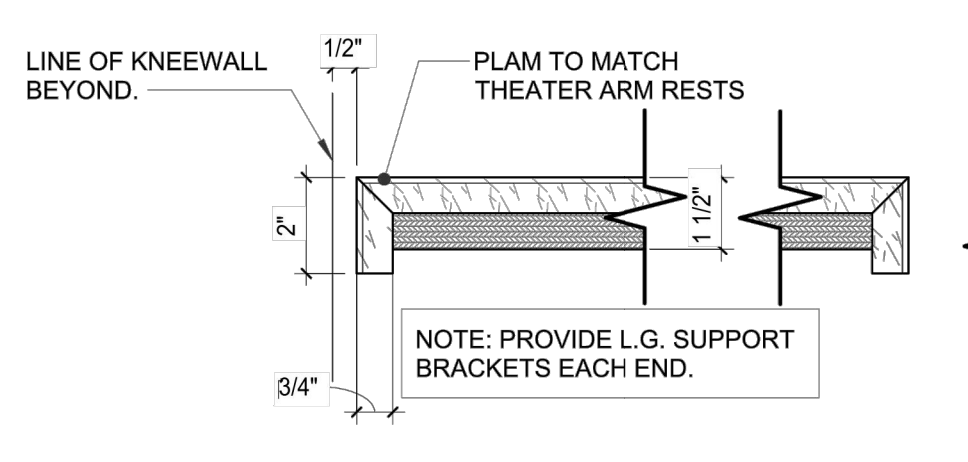
**4 AV CONSOLE BASE DETAIL**  
AV-401 SCALE: 3" = 1'-0"



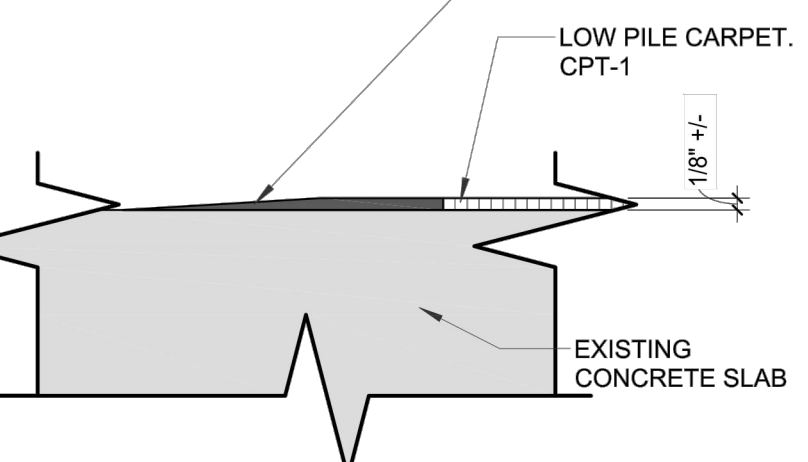
**5 AV CONSOLE TRANSITION FLOOR**  
AV-401 SCALE: 3" = 1'-0"



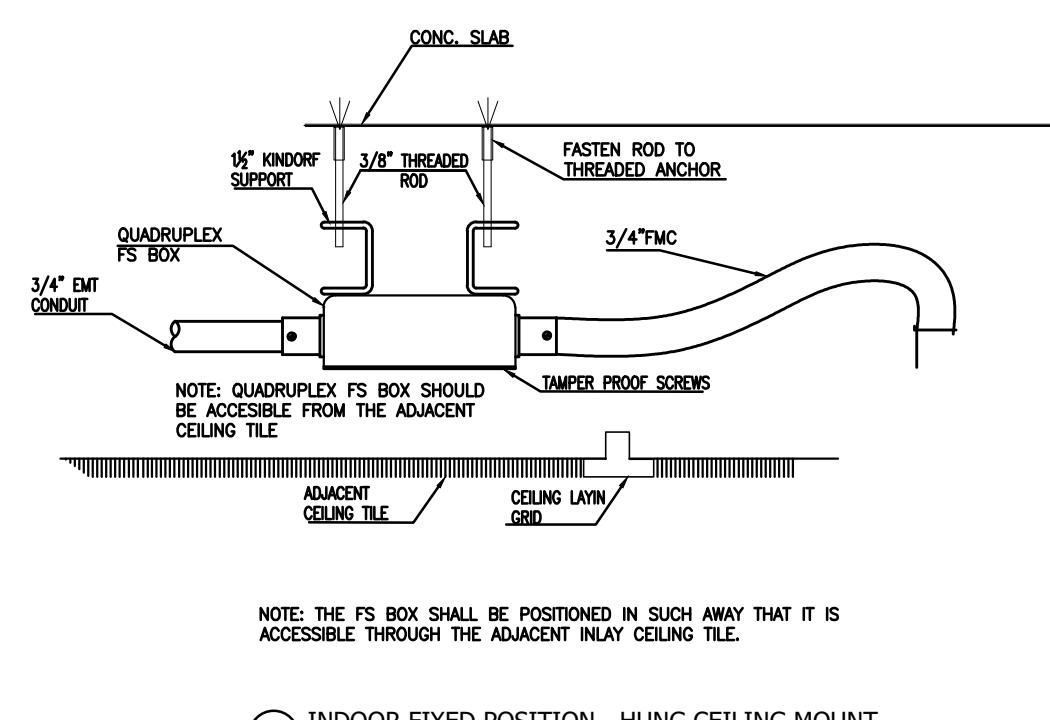
**6 PLAM DETAIL KNEE WALL**  
AV-401 SCALE: 3" = 1'-0"



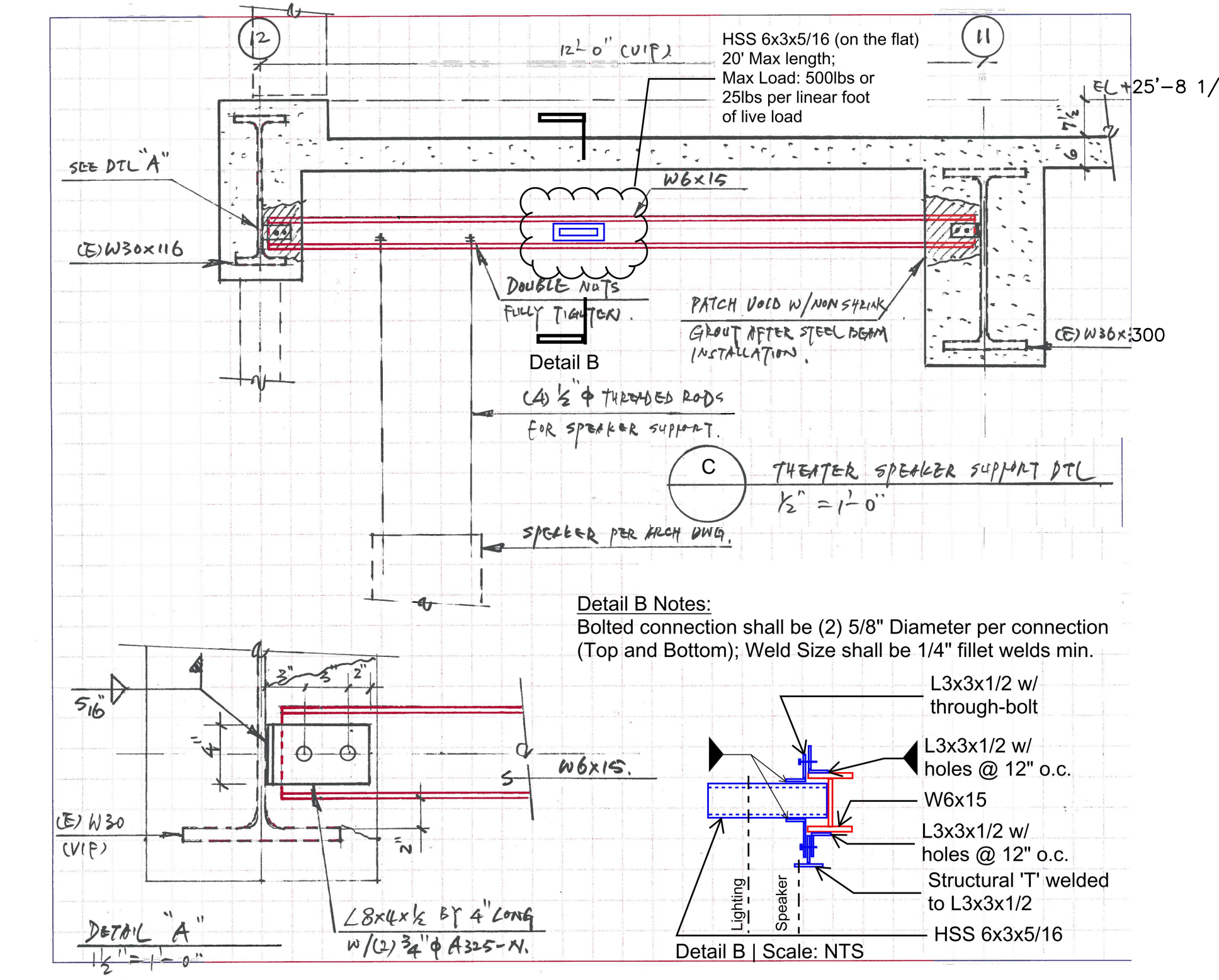
**7 COUNTER TOP EDGE**  
AV-401 SCALE: 3" = 1'-0"



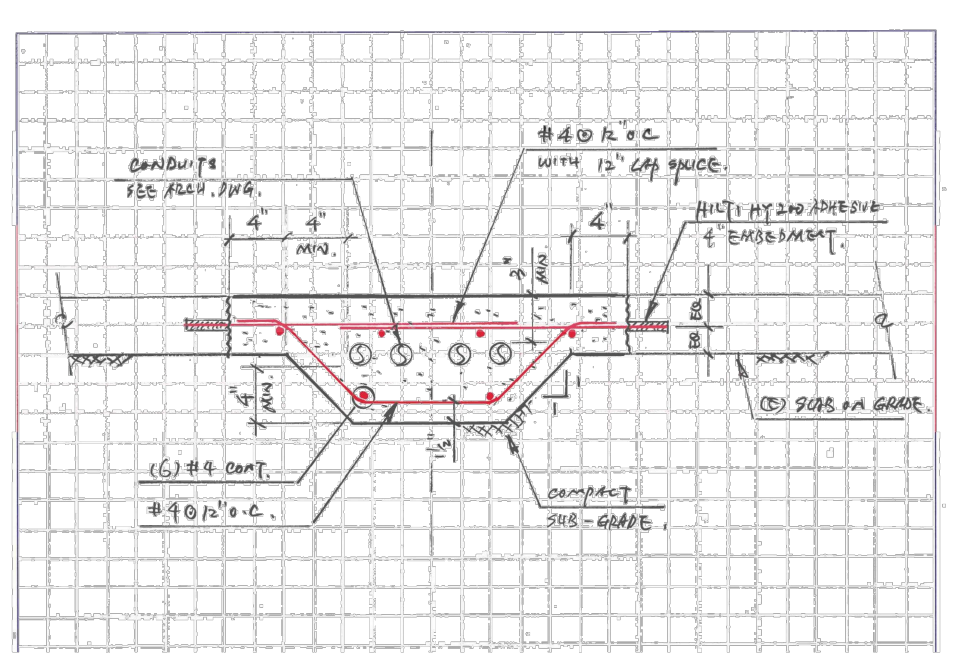
**8 FLOOR TRANSITION**  
AV-401 SCALE: 6" = 1'-0"



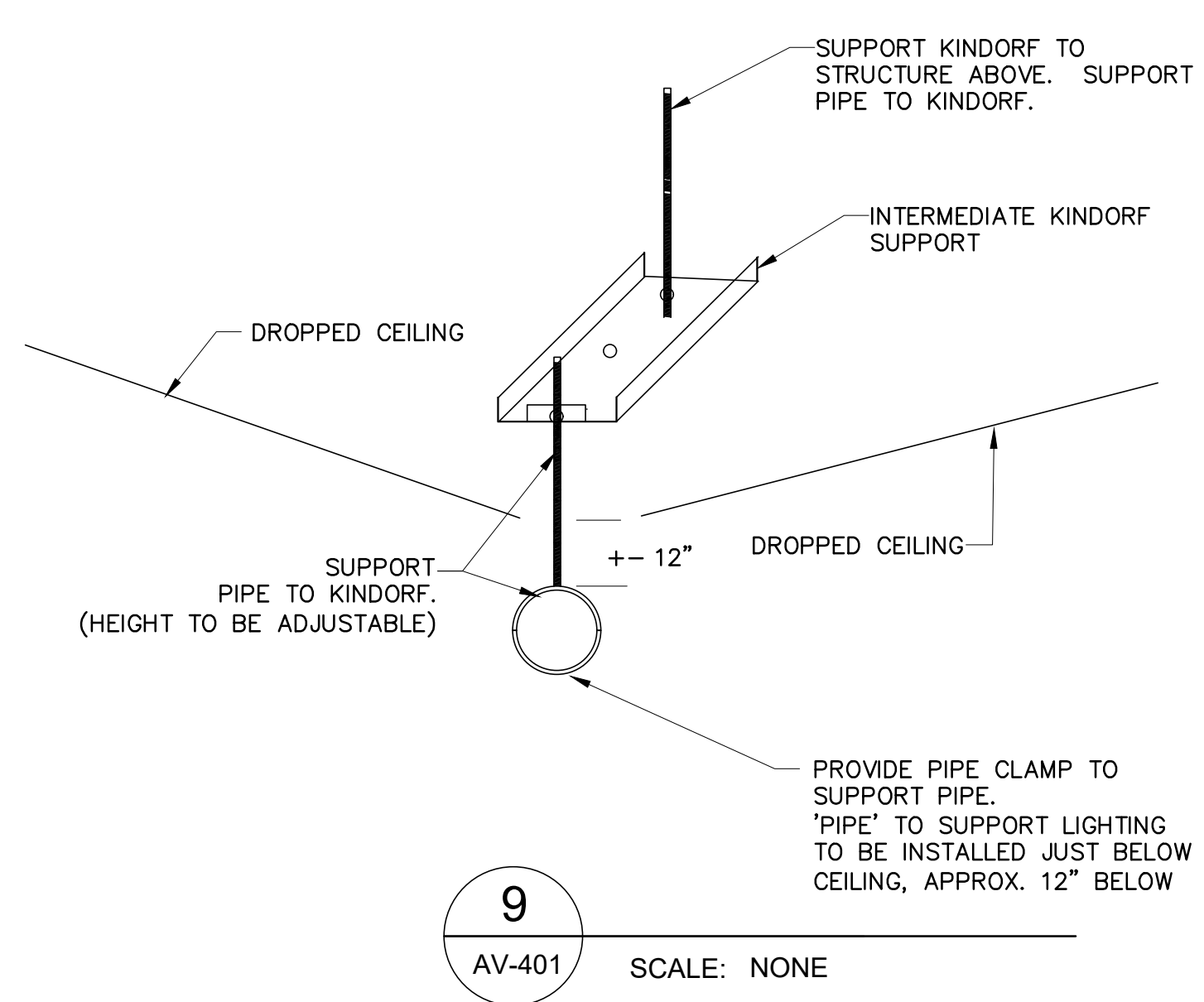
**12 OUTLET BOX SUPPORT**  
AV-401 SCALE: NONE



**11 SPEAKER HANGING DETAIL**  
AV-401 SCALE: NONE

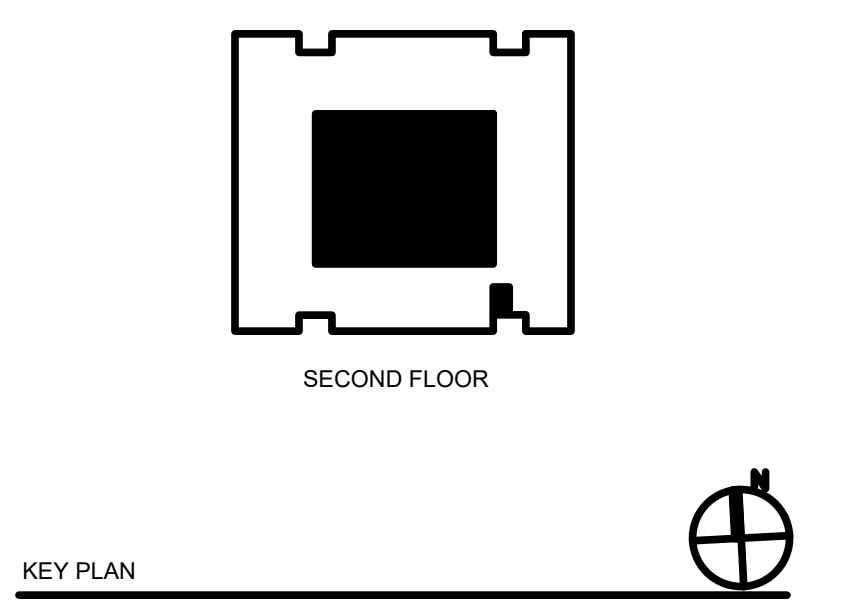


**10 TRENCH DETAIL**  
AV-401 SCALE: NONE



**9 AV CONSOLE SECTION**  
SCALE: NONE

REV	DATE	DESCRIPTION
03	02-14-2020	REVISED PER SITE MEETING
02	01-24-2020	ISSUED FOR AV SCOPE
01	01-07-2020	ISSUED FOR AV SCOPE



**AV DETAILS**

GCE Project No. 1277.01.00
Scale: As Noted
Designed by:
Drawn by:
Checked by:
Date: 01/22/2020
Drawing No.:

**AV-401.00**

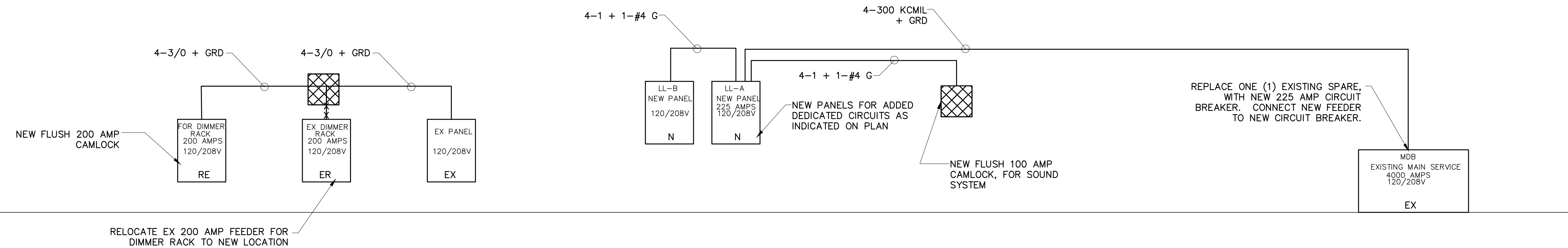
TO THE BEST OF MY KNOWLEDGE, BELIEF AND PROFESSIONAL JUDGMENT, THESE PLANS AND SPECIFICATIONS ARE IN COMPLIANCE WITH THE NEW YORK CITY ENERGY CONSERVATION CODE.



MEZZ LEVEL

FIRST FLOOR

CELLAR LEVEL

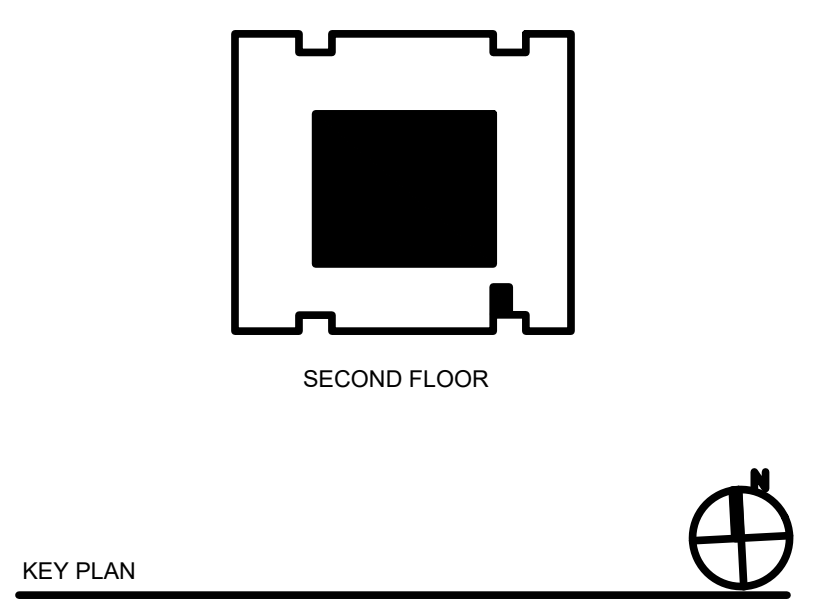


**1 ELECTRICAL RISER**  
 A-502 SCALE: NONE

PANEL LL-A		VOLTAGE 120/208V, 3Ø, 4W	
LOCATION ---		225_A BUS	
MOUNTING ---		225_A MAIN CB	
CIRCUIT DESCRIPTION	BKR#	Ø A	Ø B
ORCH PIT RECEP	20/1	---	---
ORCH PIT RECEP	20/3	---	---
ORCH PIT RECEP	20/5	---	---
ORCH PIT RECEP	20/7	---	---
ORCH PIT RECEP	20/9	---	---
DNSTAGE LEFT RECEP	20/11	---	---
DNSTAGE LEFT RECEP	20/13	---	---
DNSTAGE LEFT RECEP	20/15	---	---
DNSTAGE LEFT RECEP	20/17	---	---
DNSTAGE LEFT RECEP	20/19	---	---
DNSTAGE LEFT RECEP	20/21	---	---
DNSTAGE LEFT RECEP	20/23	---	---
SPARE	20/25	---	---
SPARE	20/27	---	---
SPARE	20/29	---	---
SPARE	20/31	---	---
SPARE	20/33	---	---
SPARE	20/35	---	---
LL-B	39	---	---
LL-B	41	---	---
TOTAL VOLT-AMPS	3	---	---
TOTAL CONNECTED LOAD:	---	KW ÷ √3 (208) =	--- AMPS

PANEL LL-B		VOLTAGE 120/208V, 3Ø, 4W	
LOCATION ---		225_A BUS	
MOUNTING ---		MAIN LUGS ONLY	
CIRCUIT DESCRIPTION	BKR#	Ø A	Ø B
HOUSE SOUND RECEP	20/1	---	---
HOUSE SOUND RECEP	20/3	---	---
HOUSE SOUND RECEP	20/5	---	---
SOUND BOOTH RECEP	20/7	---	---
MEZZ BOOTH RECEP	20/9	---	---
MEZZ BOOTH RECEP	20/11	---	---
MEZZ BOOTH RECEP	20/13	---	---
MEZZ BOOTH RECEP	20/15	---	---
HOUSE RIGHT RECEP	20/17	---	---
HOUSE RIGHT RECEP	20/19	---	---
HOUSE RIGHT RECEP	20/21	---	---
HOUSE RIGHT RECEP	20/23	---	---
SPARE	20/25	---	---
SPARE	20/27	---	---
QUAD	20/29	---	---
QUAD	20/31	---	---
COVE RECEP	20/33	---	---
COVE RECEP	20/35	---	---
COVE RECEP	20/37	---	---
SPARE	20/39	---	---
SPARE	20/41	---	---
TOTAL VOLT-AMPS	---	---	---
TOTAL CONNECTED LOAD:	---	KW ÷ √3 (208) =	--- AMPS

REV	DATE	DESCRIPTION
03	02-14-2020	REVISED PER SITE MEETING
02	01-24-2020	ISSUED FOR AV SCOPE
01	01-07-2020	ISSUED FOR AV SCOPE



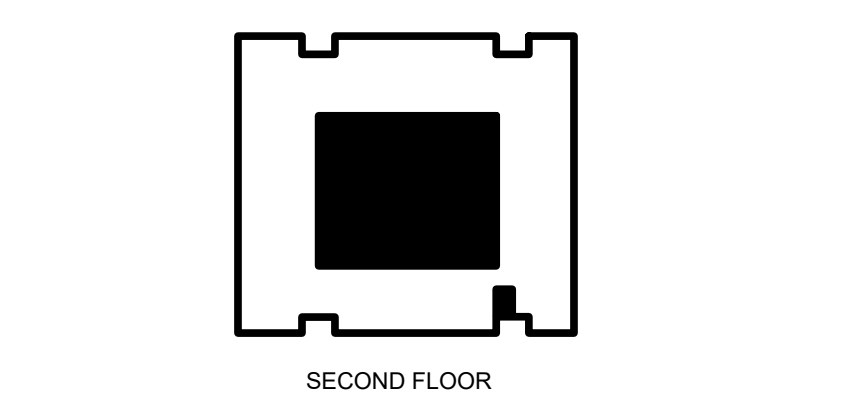
**ELECTRICAL RISER**

GCE Project No. 1277.01.00
Scale: As Noted
Designed by:
Drawn by:
Checked by:
Date: 01/22/2020
Drawing No.:

**AV-502.00**

TO THE BEST OF MY KNOWLEDGE, BELIEF AND PROFESSIONAL JUDGMENT, THESE PLANS AND SPECIFICATIONS ARE IN COMPLIANCE WITH THE NEW YORK CITY ENERGY CONSERVATION CODE.

REV	DATE	DESCRIPTION
08-31-2021		BULLETIN NO. 4
03	02-14-2020	REVISED PER SITE MEETING
02	01-24-2020	ISSUED FOR AV SCOPE
01	01-07-2020	ISSUED FOR AV SCOPE



KEY PLAN

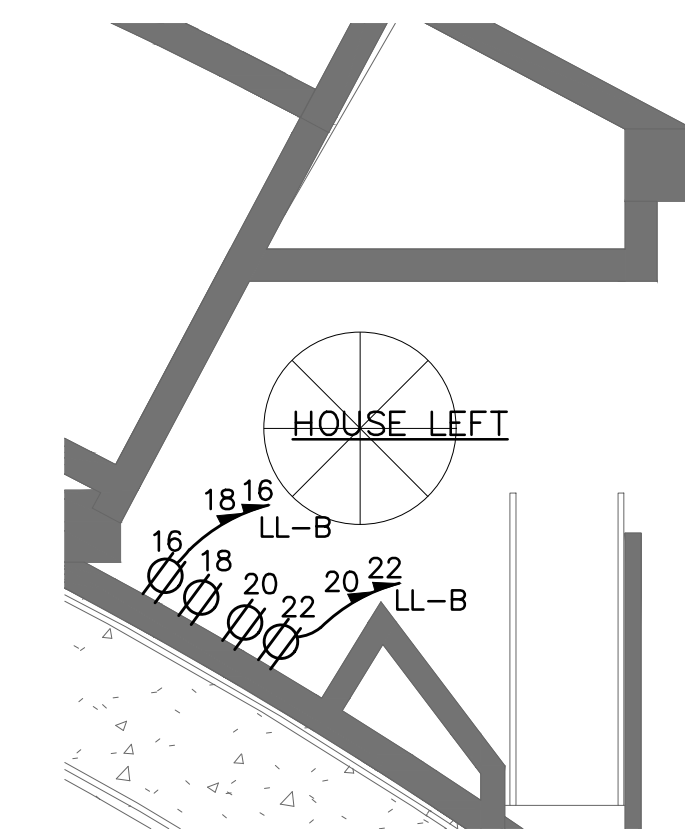
FIRST FLOOR  
POWER & AV PLAN  
& DETAILS

GCE Project No.:	1277.01.00
Scale:	As Noted
Designed by:	
Drawn by:	
Checked by:	
Date:	01/02/2020
Drawing No.:	

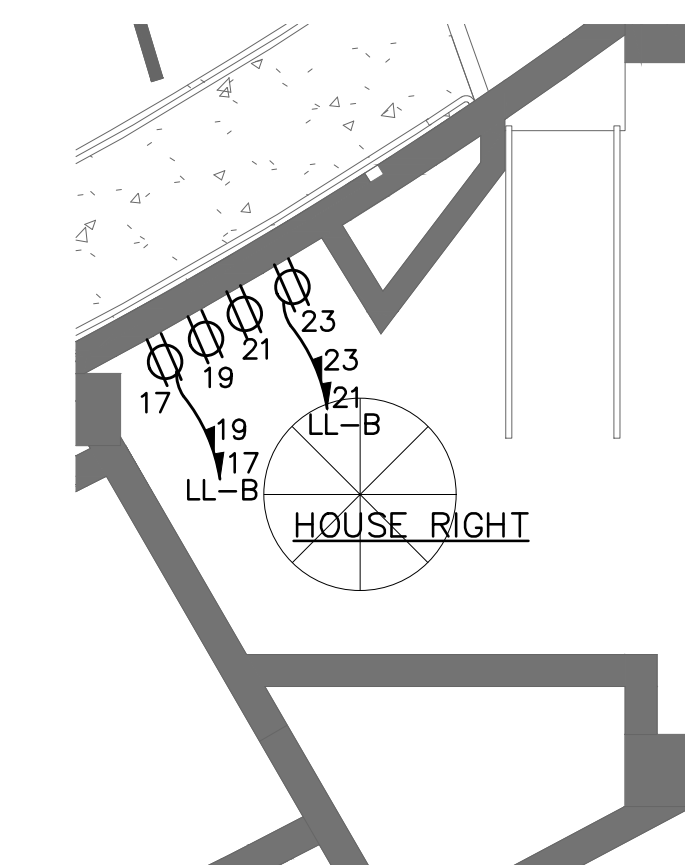
AV-102.01

XX OF XX

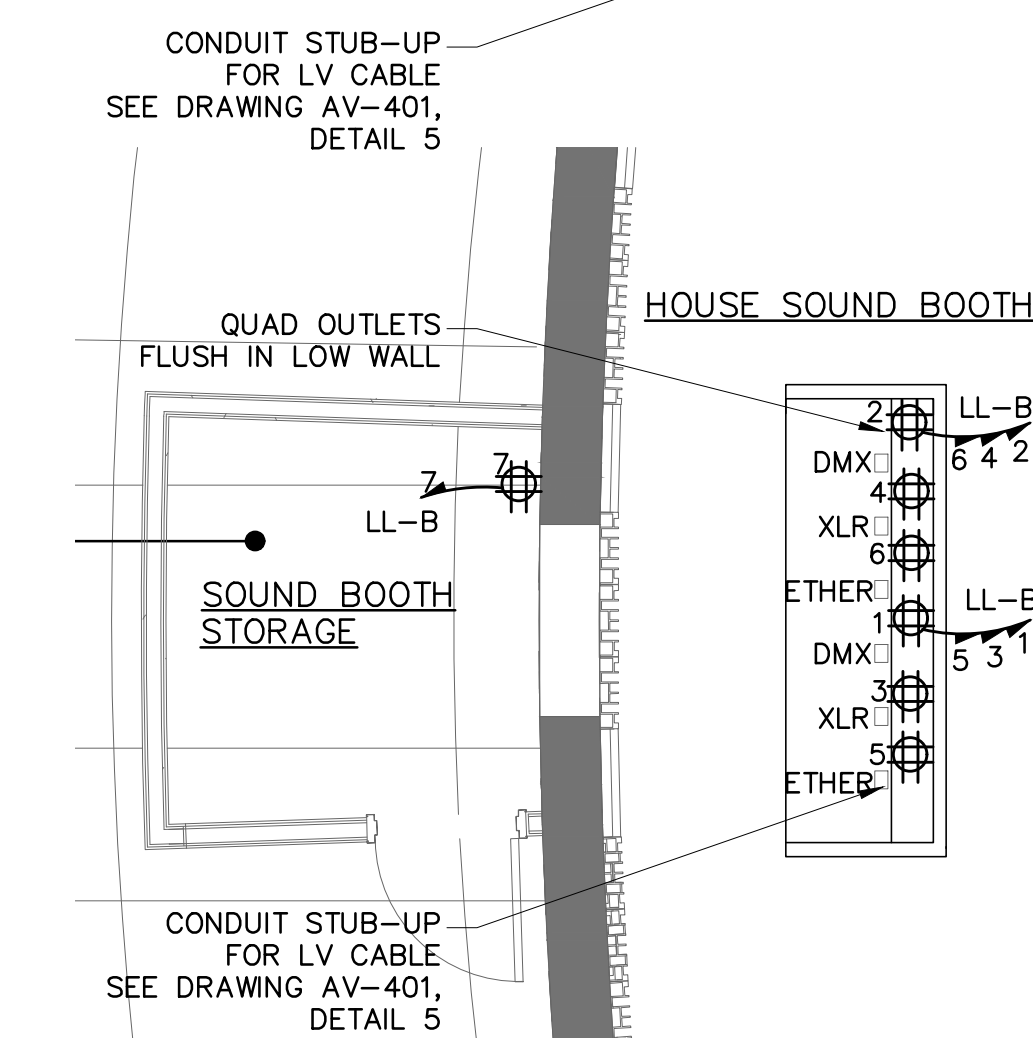
TO THE BEST OF MY KNOWLEDGE, BELIEF AND PROFESSIONAL JUDGMENT, THESE PLANS AND SPECIFICATIONS ARE IN COMPLIANCE WITH THE NEW YORK CITY ENERGY CONSERVATION CODE.



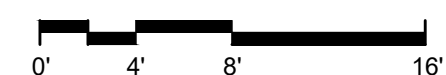
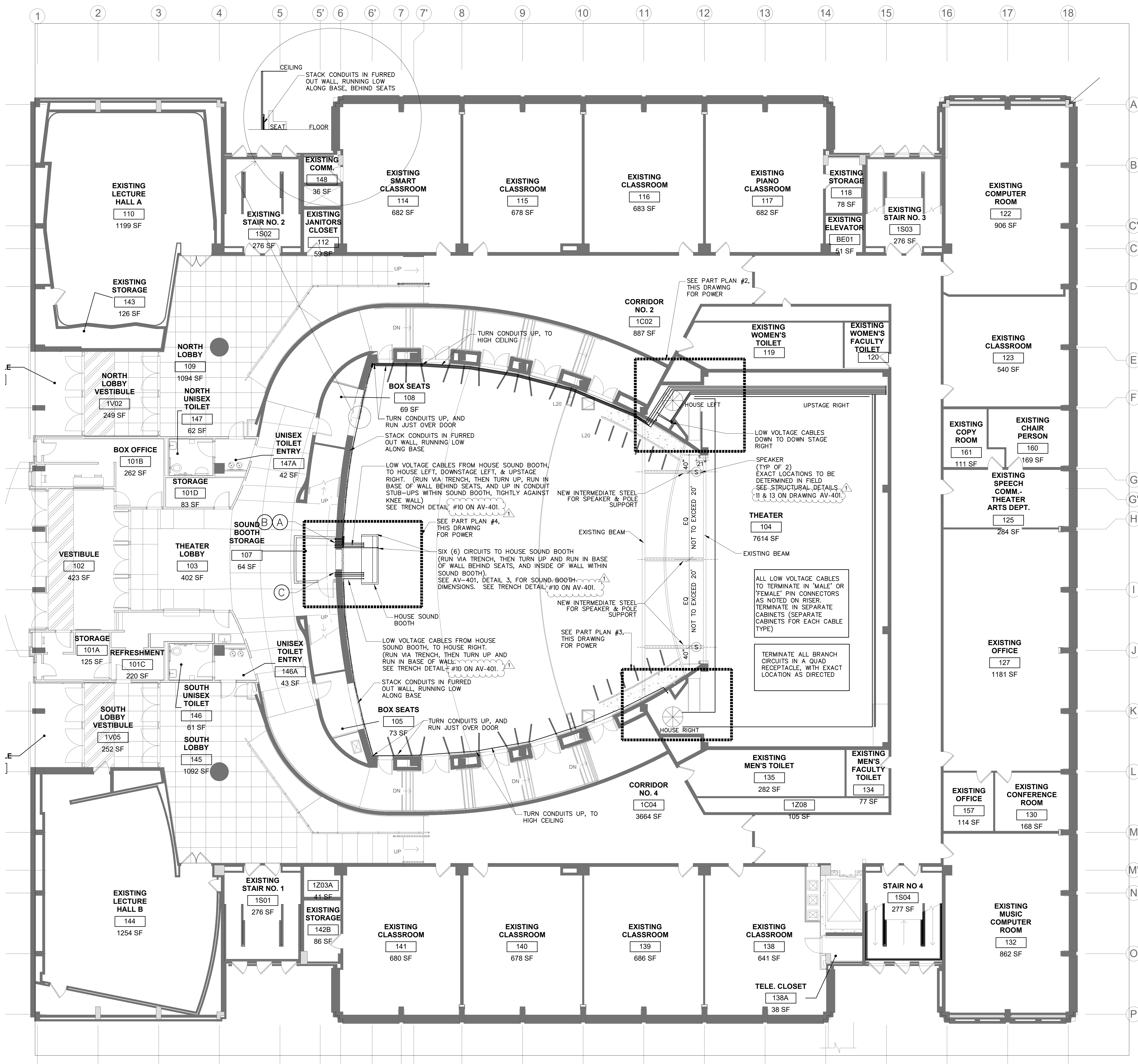
2 1ST FL ELECTRICAL PART PLAN  
AV-102 SCALE: 1/4" = 1'-0"



3 1ST FL ELECTRICAL PART PLAN  
AV-102 SCALE: 1/4" = 1'-0"



4 1ST FL ELECTRICAL PART PLAN  
AV-102 SCALE: 1/4" = 1'-0"



- (A) LOW VOLTAGE CABLES FROM MEZZANINE SOUND BOOTH, TO DOWNSTAGE RIGHT, HOUSE LEFT AND UPSTAGE RIGHT (DMX, XLR, ETHER, EACH REQUIRES A SEPARATE CONDUITS)
- (B) EIGHT (8) 20 AMP DEDICATED CIRCUITS VIA TWO (2) 3/4" CONDUITS (TO MEZZ SOUND BOOTH)
- (C) LOW VOLTAGE CABLES FROM HOUSE SOUND BOOTH, AND UP TO MEZZ SOUND BOOTH. (DMX, XLR, ETHER, EACH REQUIRES A SEPARATE CONDUIT)

**CUNY  
QUEENSBOROUGH  
COMMUNITY COLLEGE  
PERFORMING ARTS  
CENTER**  
HUMANITIES BUILDING  
222-25 56TH AVE  
BAYSIDE, NY 11364

**DORMITORY AUTHORITY OF  
THE STATE OF NEW YORK**

**CITY UNIVERSITY OF NEW  
YORK DEPT. OF DESIGN,  
CONSTRUCTION AND MANAGEMENT**

CONTRACT NO. CITYW-CUCF-08-10  
DASN PROJECT NO. 309040

**GoshowArchitects**

44 WEST 28TH STREET, 5 FL., NEW YORK, NY  
10001  
PHONE 212-242-3735 / FAX 212-242-7460

YSRAEL A. SEINUK  
STRUCTURAL ENGINEERING  
228 EAST 45TH STREET / NEW YORK, NY  
10017  
PHONE 212-687-9888 / FAX 646-487-5501

GC ENG & ASSOCIATES  
MEP CONSULTANT  
141 WEST 28TH STREET / NEW YORK, NY  
10001  
PHONE 212-695-5313

VTX  
ELEVATOR CONSULTANT  
TWO PENN PLAZA / NEW YORK NY  
10121  
PHONE 212-967-3074 / FAX 212-268-6884

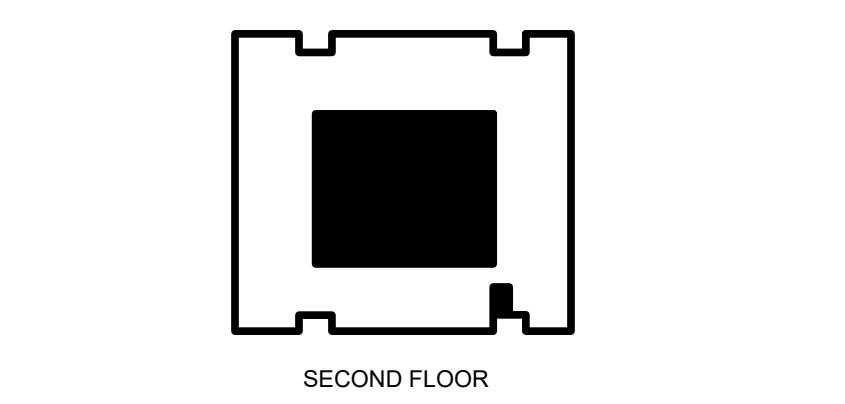
WATTS ARCHITECTURE & ENGINEERING  
HAZMAT CONSULTANT  
44 WEST 28TH STREET, 5TH FL., NEW YORK, NY  
10001  
PHONE 646-998-3677

ACCU-COST  
COST CONSULTANT  
440 NINTH AVENUE / NEW YORK NY  
10001  
PHONE 716-206-5123 / FAX 716-206-5199

SACHS MORGAN STUDIO  
THEATER DESIGN CONSULTANT  
2753 BROADWAY / NEW YORK, NY  
10025  
PHONE 212-765-4144

ESSENTIAL LIGHT DESIGN STUDIO, LLC  
LIGHTING CONSULTANT  
90 BROAD STREET / SUITE 1803 / NEW YORK NY  
10004  
PHONE 972-415-8655

08-31-2021	BULLETIN NO. 4	
03-02-14-2020	REVISED PER SITE MEETING	
02-01-24-2020	ISSUED FOR AV SCOPE	
01-01-07-2020	ISSUED FOR AV SCOPE	
REV	DATE	DESCRIPTION



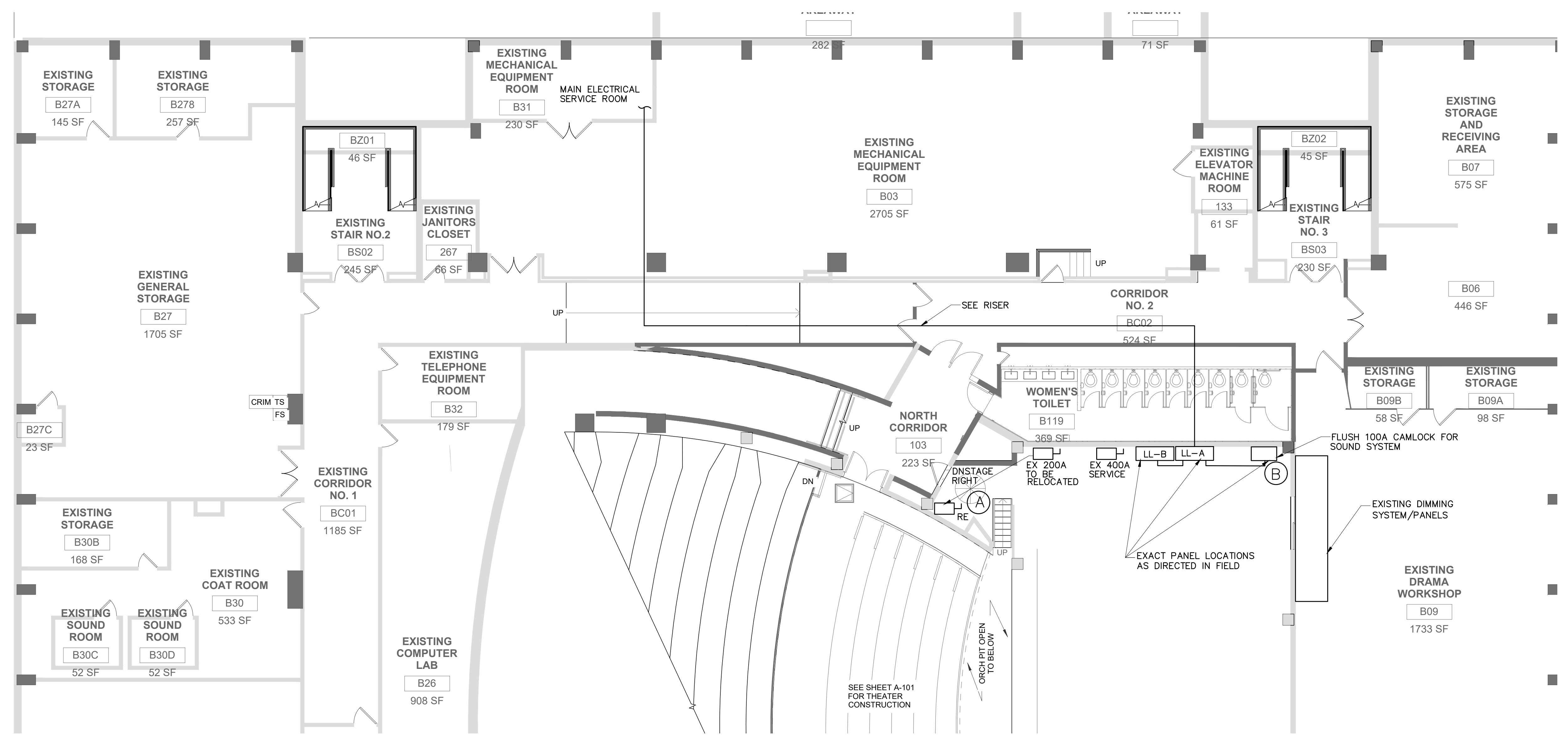
KEY PLAN

**CELLAR POWER PLAN  
AND SECOND FLOOR  
POWER & LIGHTING PLAN**

GCE Project No. 1277.01.00
Scale: As Noted
Designed by:
Drawn by:
Checked by:
Date: 01/22/2020
Drawing No.:

**AV-104.01**

© 2014 Goshow Architects LLP



NOTES:  
1. ALLOW TO INSTALL NEW PIPES AS INDICATED. PIPE LENGTH SHALL BE INSTALLED TO BE WITHIN 4 FT OF THEATER PERIMETER WALLS. (EXISTING PIPES WERE REMOVED DURING DEMOLITION). EXACT LOCATION TO BE DETERMINED IN THE FIELD WITH END USERS (TYP).

(A) RELOCATE EXISTING 200 AMP SERVICE (Ø120/208 VOLTS) TO NEW LOCATION FOR DIMMER RACK (SAME GENERAL LOCATION/ROOM). EXTEND FEEDER AS REQUIRED. (4#3/0 + GRD) FINAL TERMINATION IS A FLUSH CAMLOCK

(B) PROVIDE 100 AMP SERVICE (Ø120/208 VOLTS) TO NEW CAMLOCK DEVICE (FLUSH). CONNECT TO NEW 100 AMP SUB-FEED BREAKER. RUN 4#2 + GRD)

(C) CONTRACTOR SHALL TRACE EXISTING LIGHTING CIRCUITS AND IDENTIFY. FOR BASE BID, ALLOW TO RUN NEW CIRCUITS FROM POLE (SEE PLAN), TO EXISTING PANEL(S) AT STAGE. EXISTING CONDUIT MAY BE REUSED WHERE AVAILABLE

(D) INSTALL NEW PIGTAILS FOR LIGHTING (12-18") AS DIRECTED, WITH 3-PIN CONNECTOR

(E) INSTALL NEW PIGTAILS FOR LIGHTING (12-18") AS DIRECTED, WITH 3-PIN CONNECTOR

(F) BALCONY: RESTORE 12 LIGHTING CIRCUITS. PROVIDE NEW TROUGH AND EQUALLY SPACED JUNCTION BOXES (4 J.B.'S WITH 3 CIRCUITS EACH)

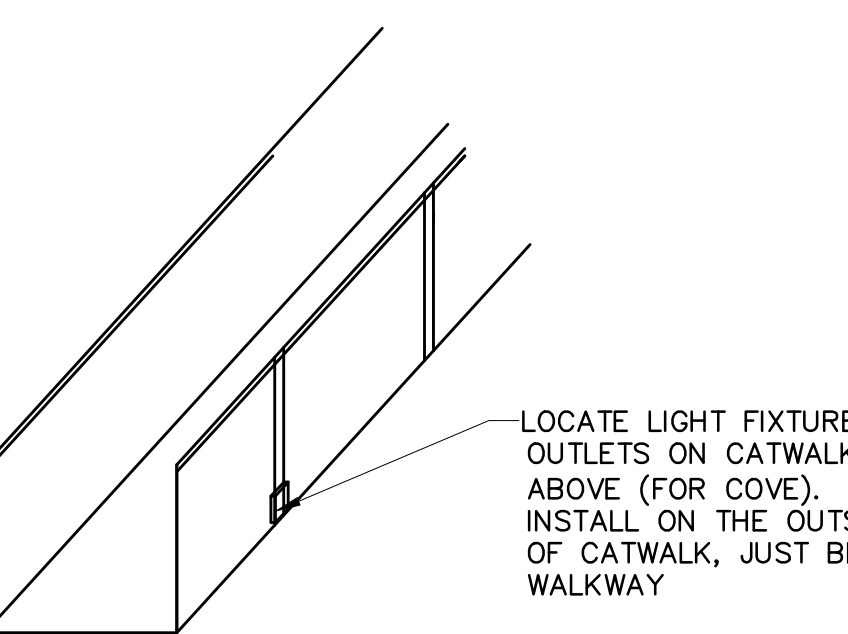
(G) COVE/CATWALK: RESTORE 28 LIGHTING CIRCUITS. PROVIDE NEW TROUGH AND EQUALLY SPACED JUNCTION BOXES (7 J.B.'S WITH 4 CIRCUITS EACH)

(H) FRONT OF HOUSE (FOH): RESTORE 8 LIGHTING CIRCUITS. PROVIDE NEW TROUGH AND EQUALLY SPACED JUNCTION BOXES (4 J.B.'S WITH 2 CIRCUITS EACH)

(K) 2 VERTICAL BOOMS (ONE PER SIDE): RESTORE 8 LIGHTING CIRCUITS, 4 PER BOOM. PROVIDE NEW TROUGHS AND EQUALLY SPACED JUNCTION BOXES (2 J.B.'S WITH 2 CIRCUITS EACH, PER SIDE) BOOMS SHALL BE LOCATED BEHIND ARCHITECTURAL PANELING. PROVIDE BLOCKING IN WALLS AS REQUIRED FOR BOOMS.

(L) ALL "PIPES" INDICATED FOR THEATER LIGHTING SHALL BE 1-1/4", SCHEDULE 40 PIPE

(M) ALL "PIPES" INDICATED FOR THEATER LIGHTING ARE NEW & SHALL BE 1-1/4", SCHEDULE 40 PIPE. INSTALL WIRING TROUGH TO SLAB ABOVE "PIPE". CONNECT "PIGTAILS" FROM TROUGH, TO WITHIN REACH OF LIGHT FIXTURE MOUNTED TO PIPE

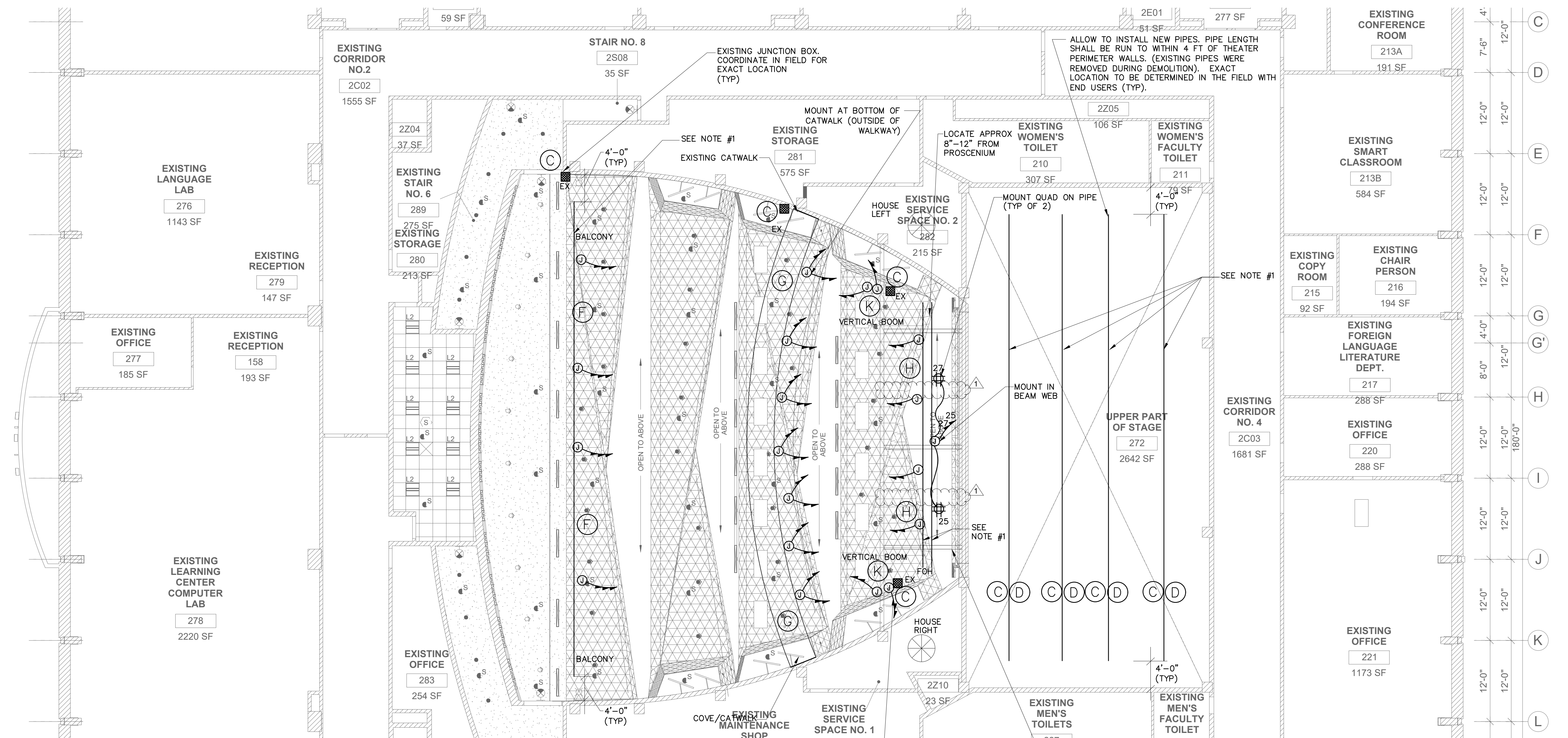


LOCATE LIGHT FIXTURE OUTLETS ON CATWALK ABOVE (FOR COVE). INSTALL ON THE OUTSIDE OF CATWALK, JUST BELOW WALKWAY

TO THE BEST OF MY KNOWLEDGE, BELIEF AND PROFESSIONAL JUDGMENT, THESE PLANS AND SPECIFICATIONS ARE IN COMPLIANCE WITH THE NEW YORK CITY ENERGY CONSERVATION CODE.

**1 CELLAR POWER PLAN**  
AV-104 SCALE: 1/8" = 1'-0"

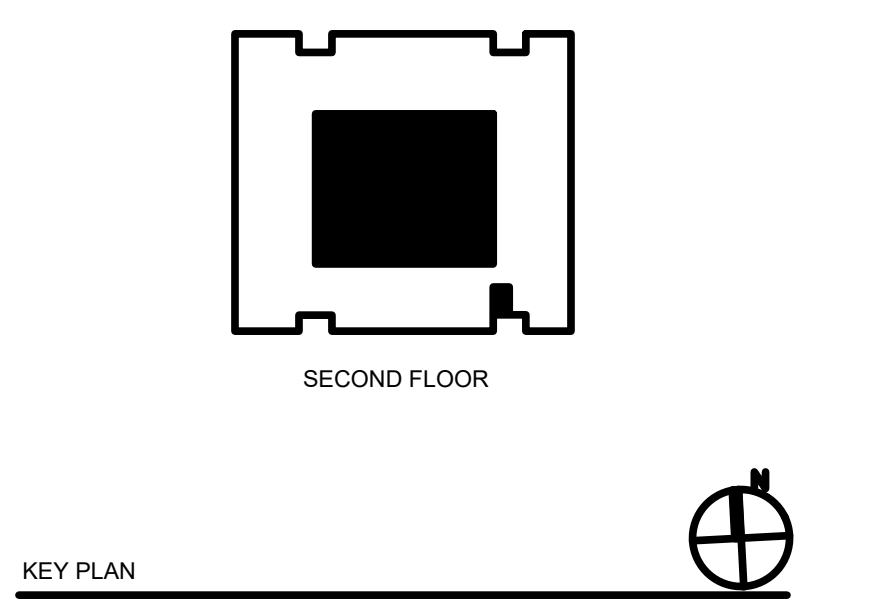
**2 SECOND FLOOR POWER & LIGHTING PLAN**  
AV-104 SCALE: 1/8" = 1'-0"



FOR VERTICAL BOOMS, ONE VERTICAL BOOM PER SIDE (TYP FOR EACH SIDE OF STAGE)

W6X15 BEAMS FOR SPEAKER SUPPORT, LENGTH OF 4-1/2" THREADED RODS TO BE DETERMINED IN THE FIELD

REV	DATE	DESCRIPTION
08-31-2021		BULLETIN NO. 4
03	02-14-2020	REVISED PER SITE MEETING
02	01-24-2020	ISSUED FOR AV SCOPE
01	01-07-2020	ISSUED FOR AV SCOPE

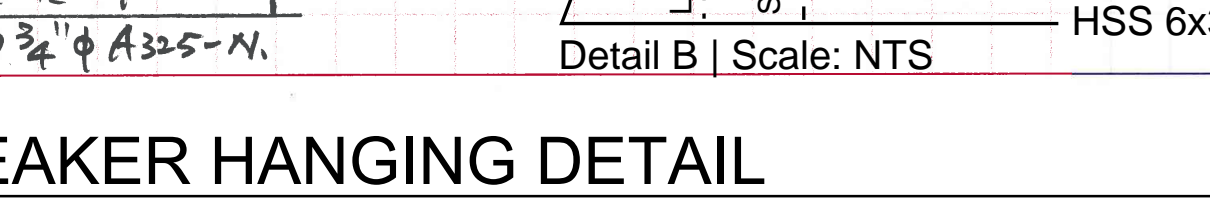
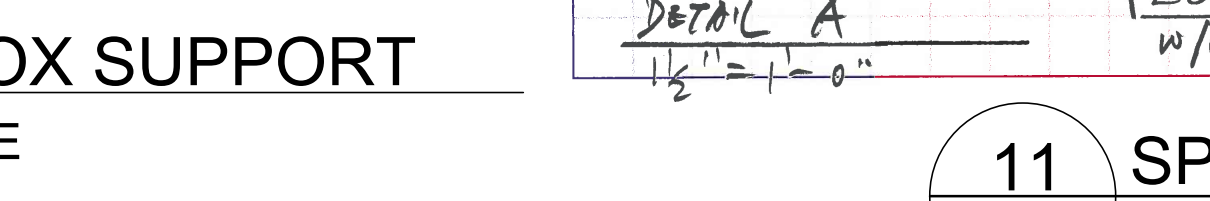
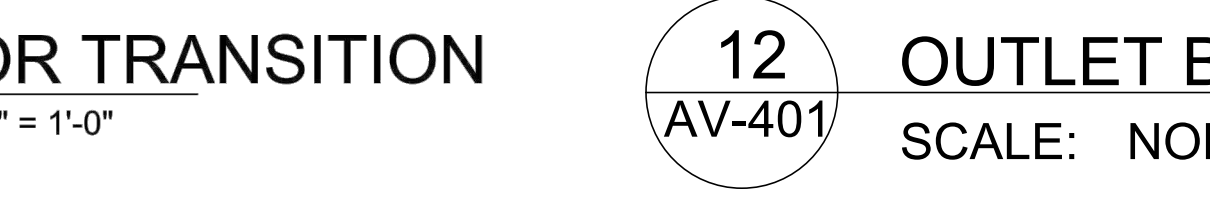
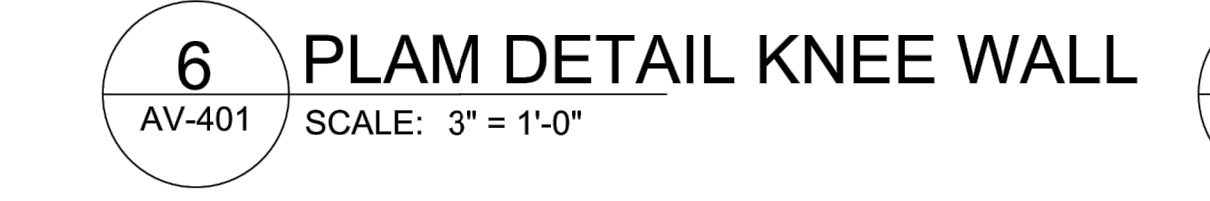
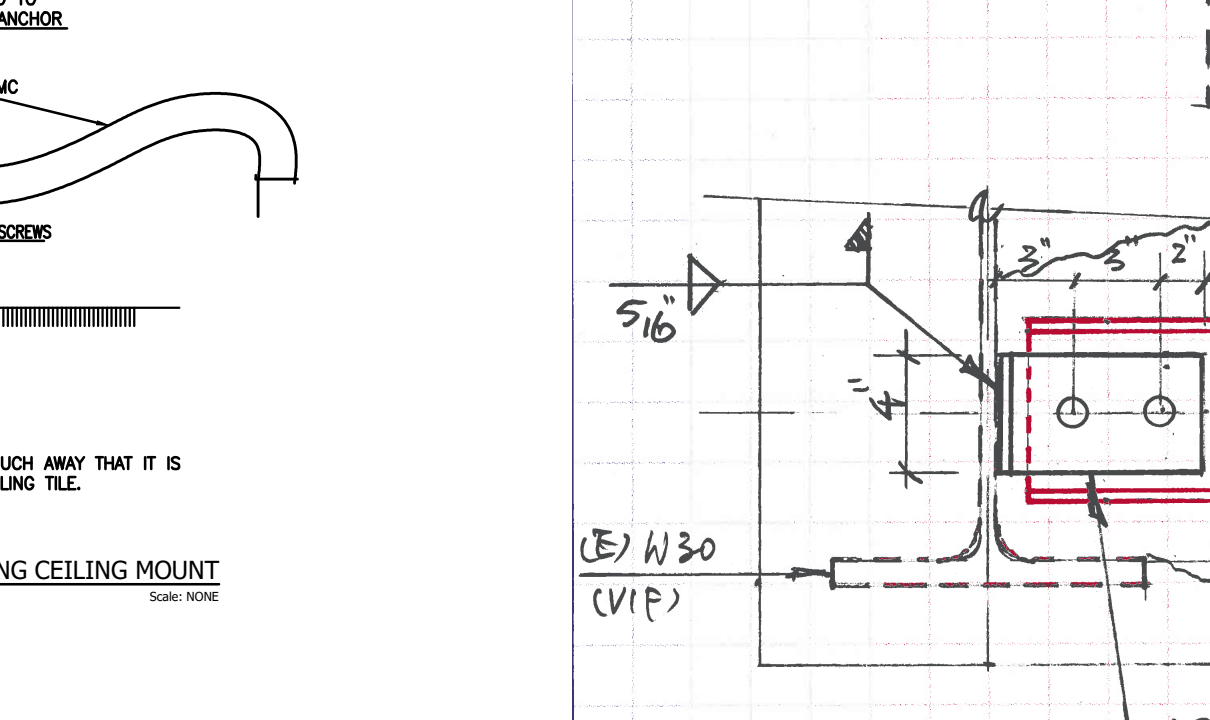
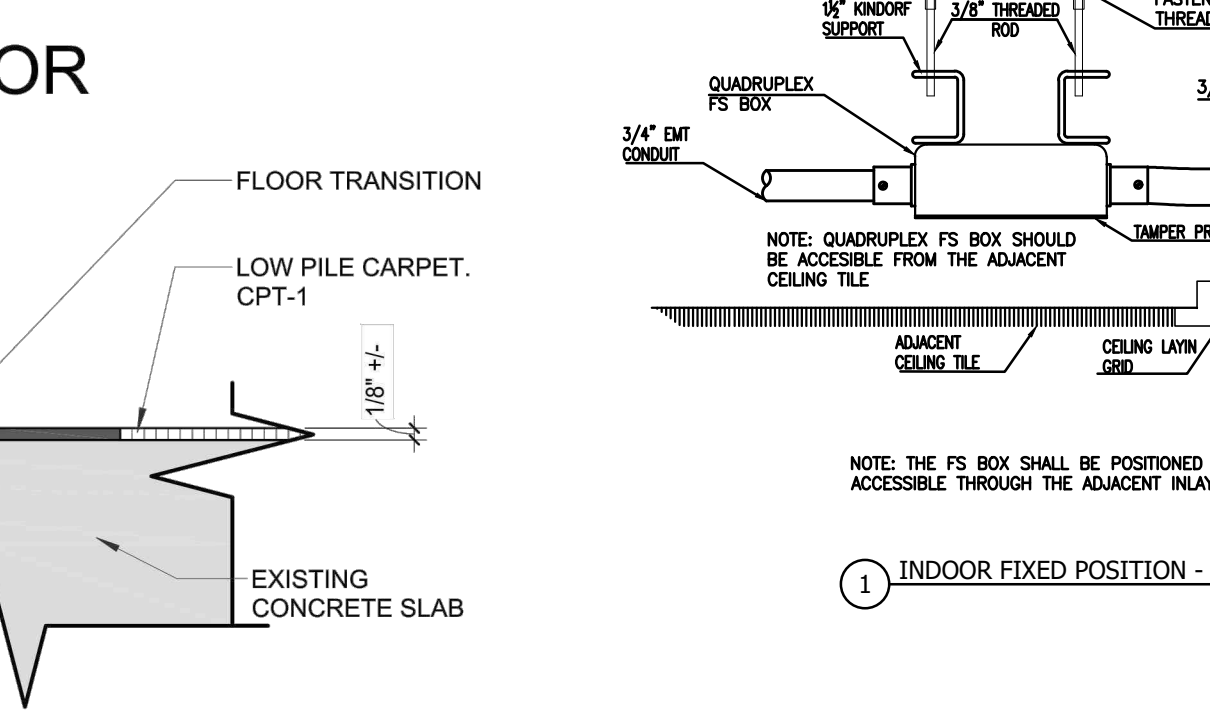
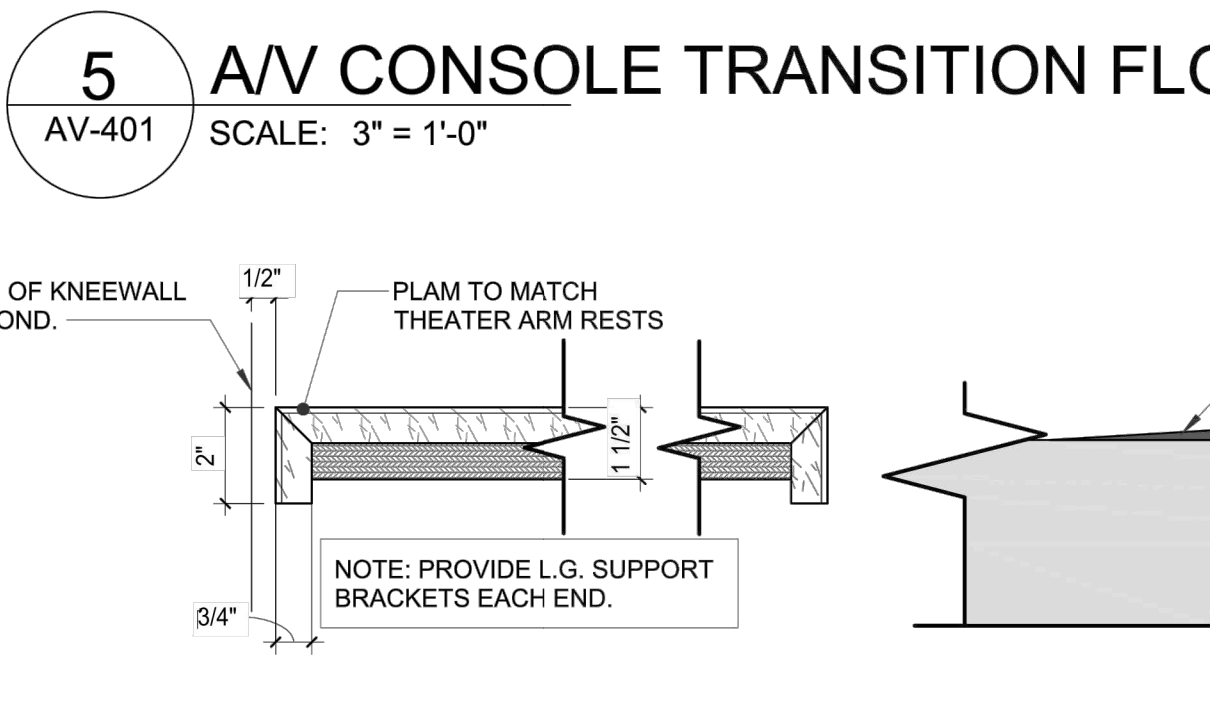
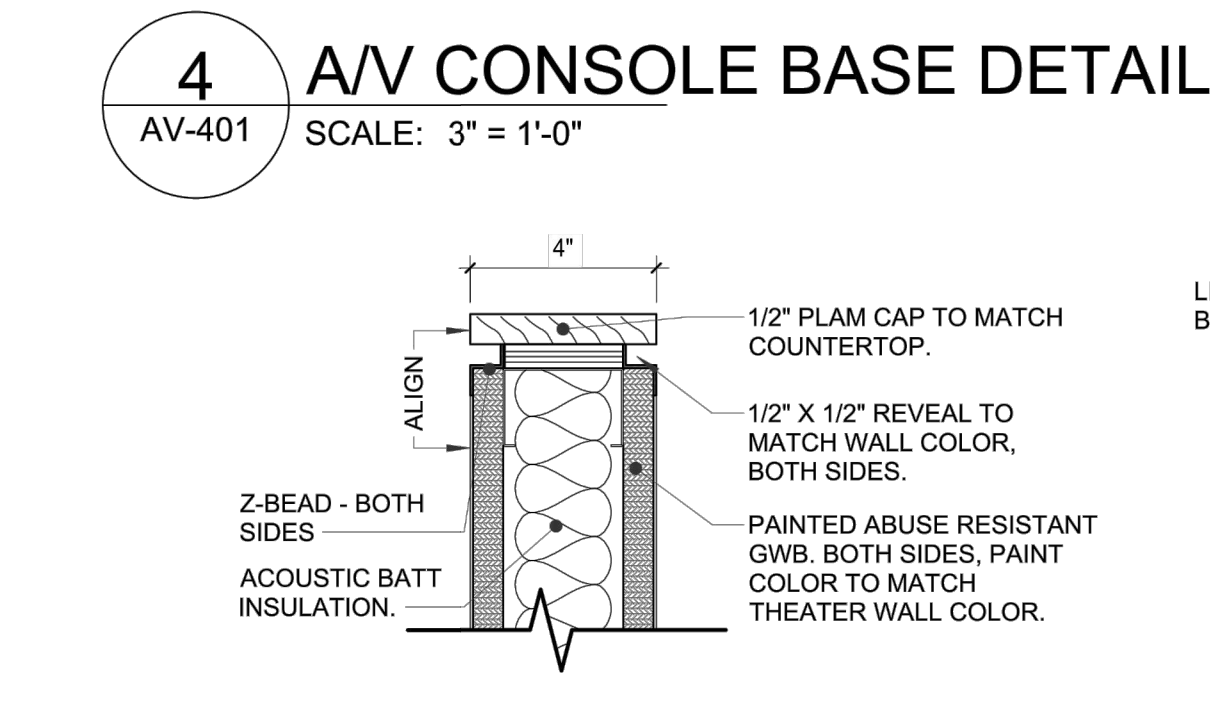
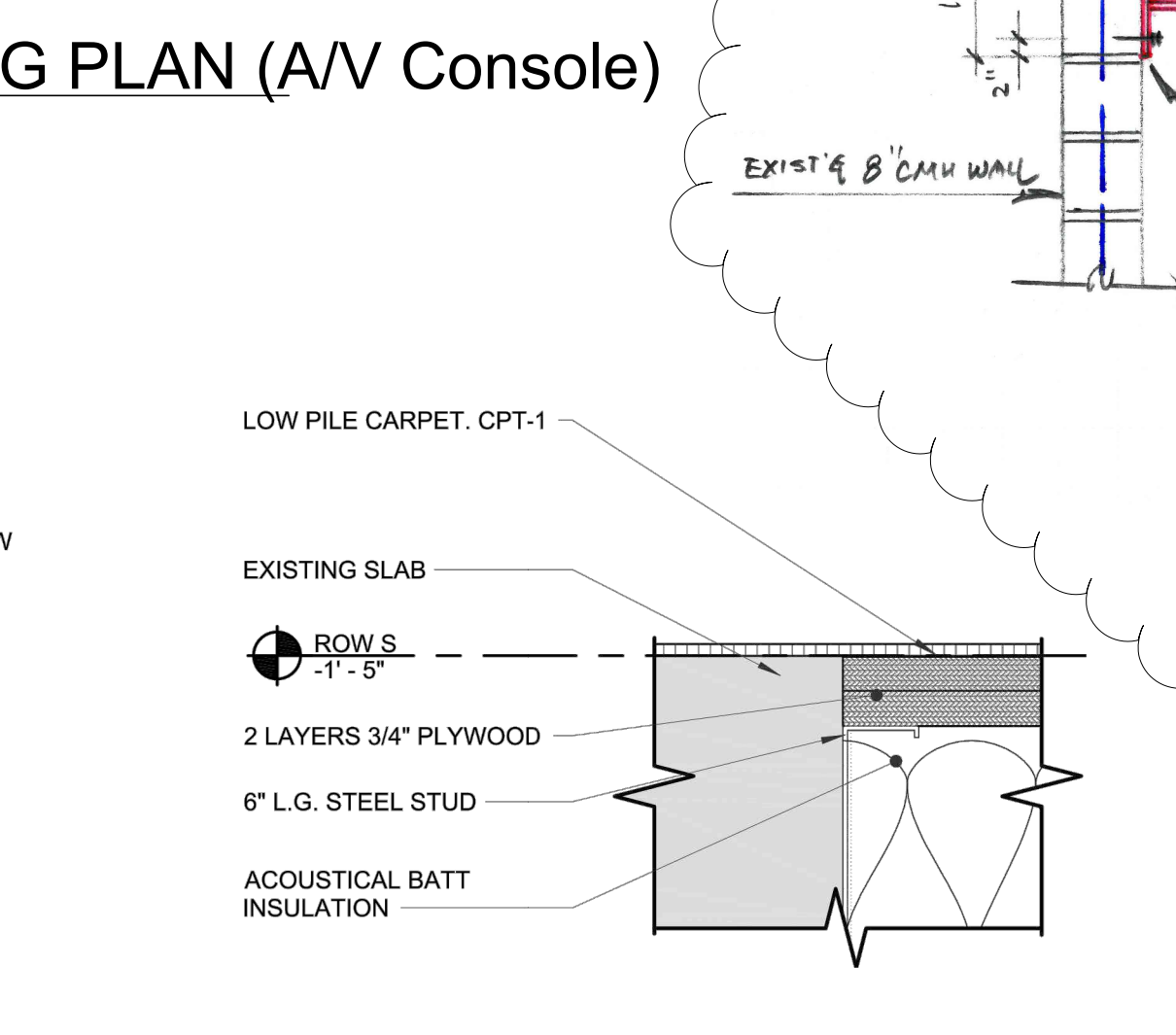
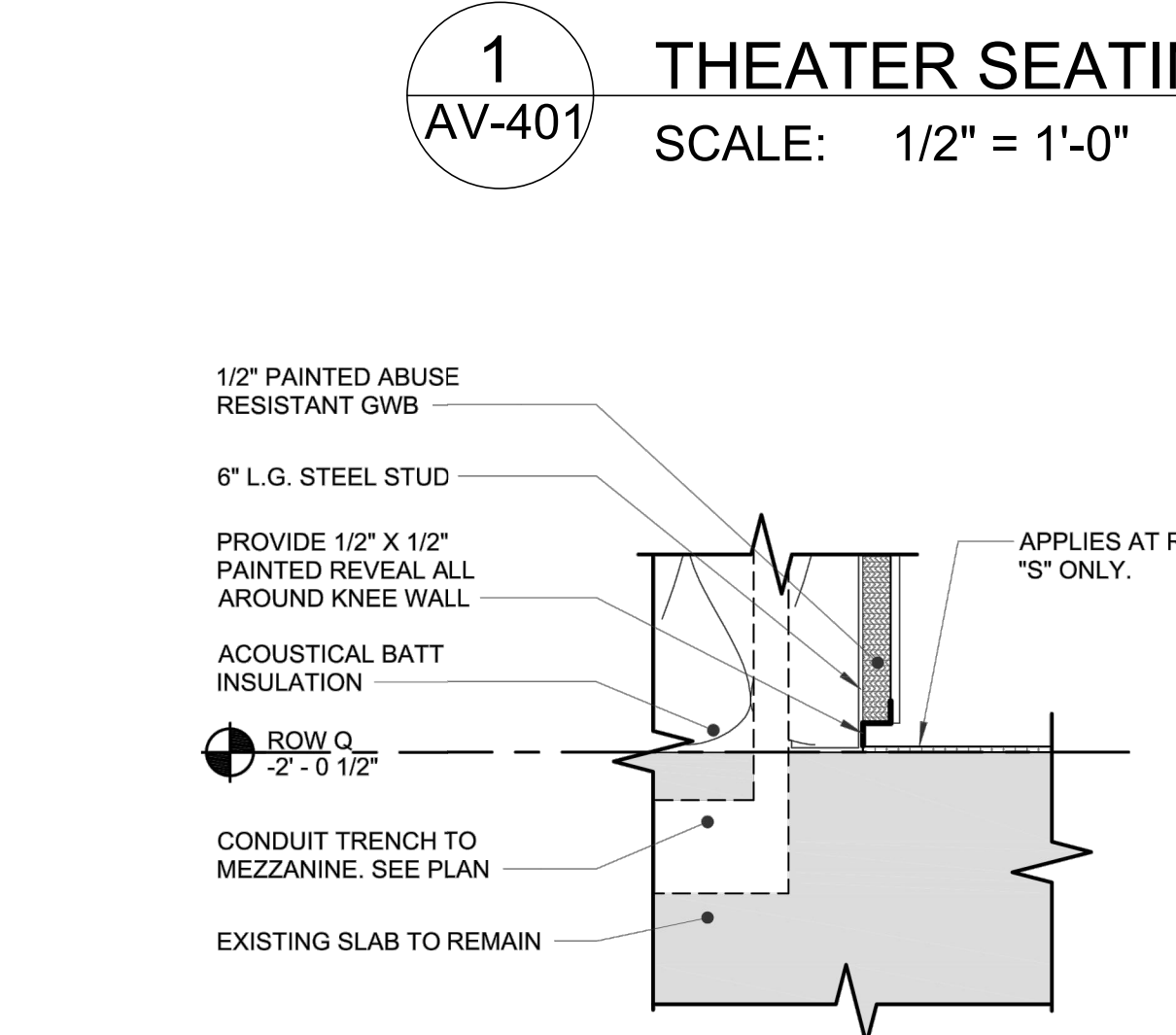
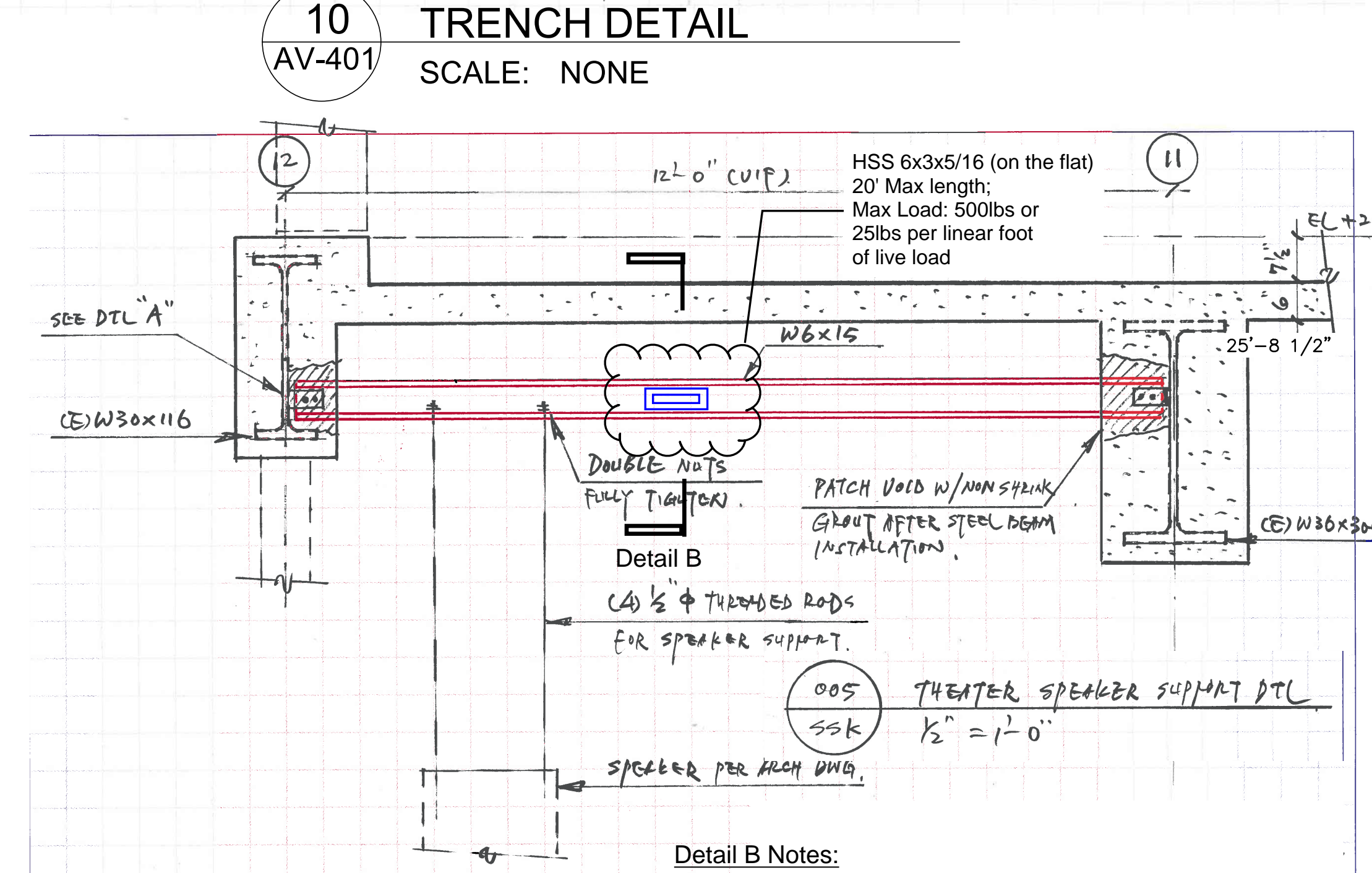
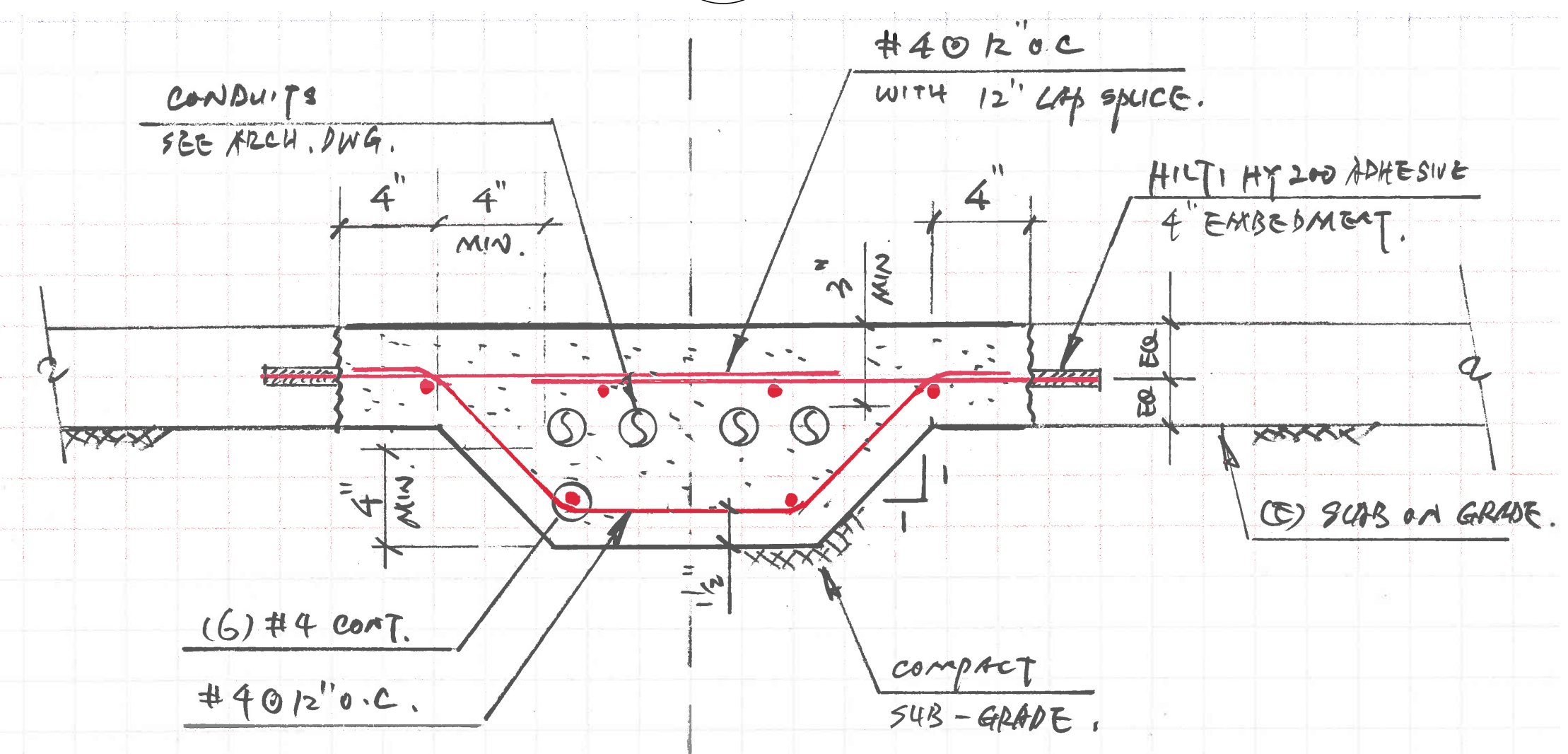
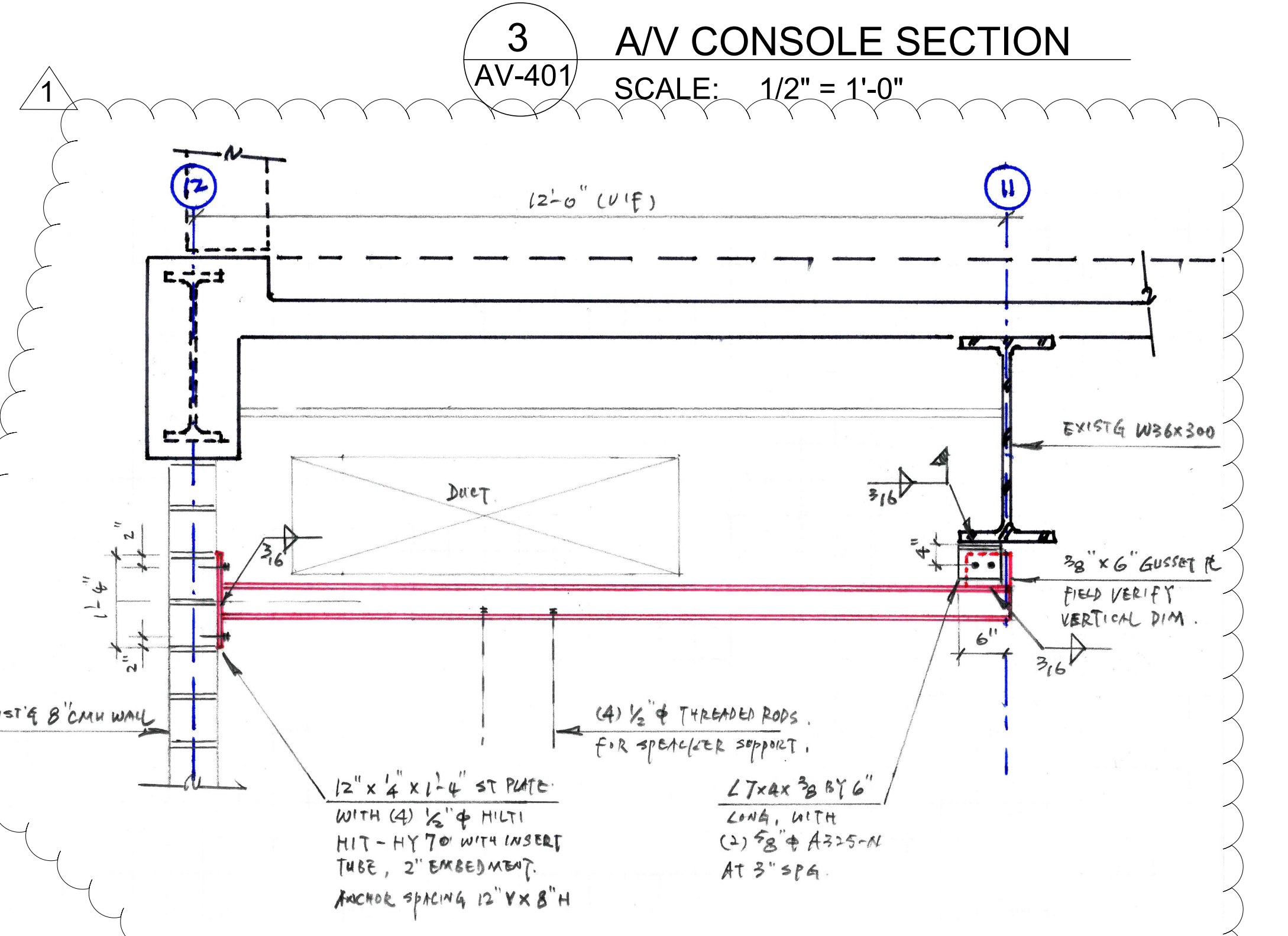
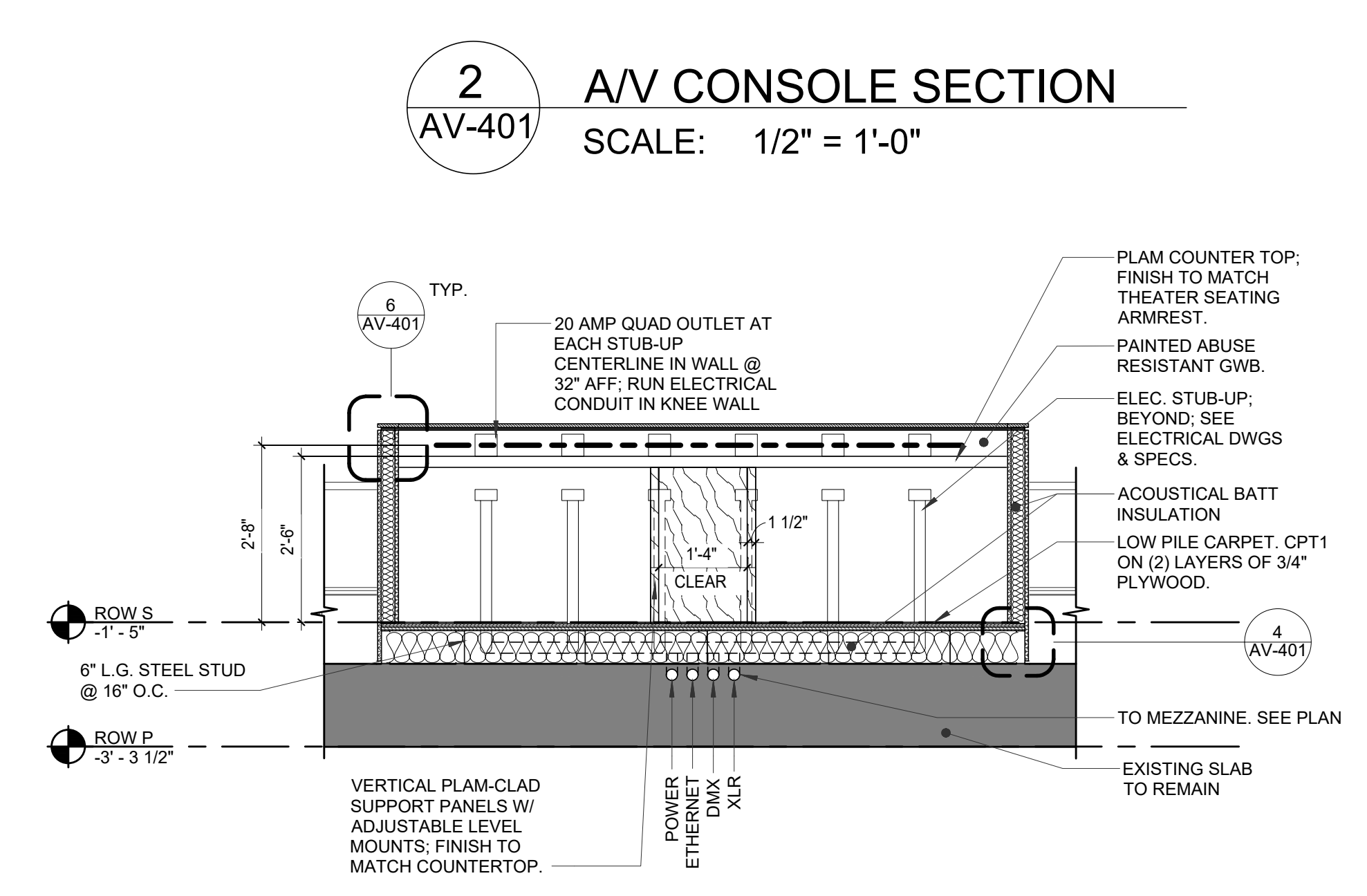
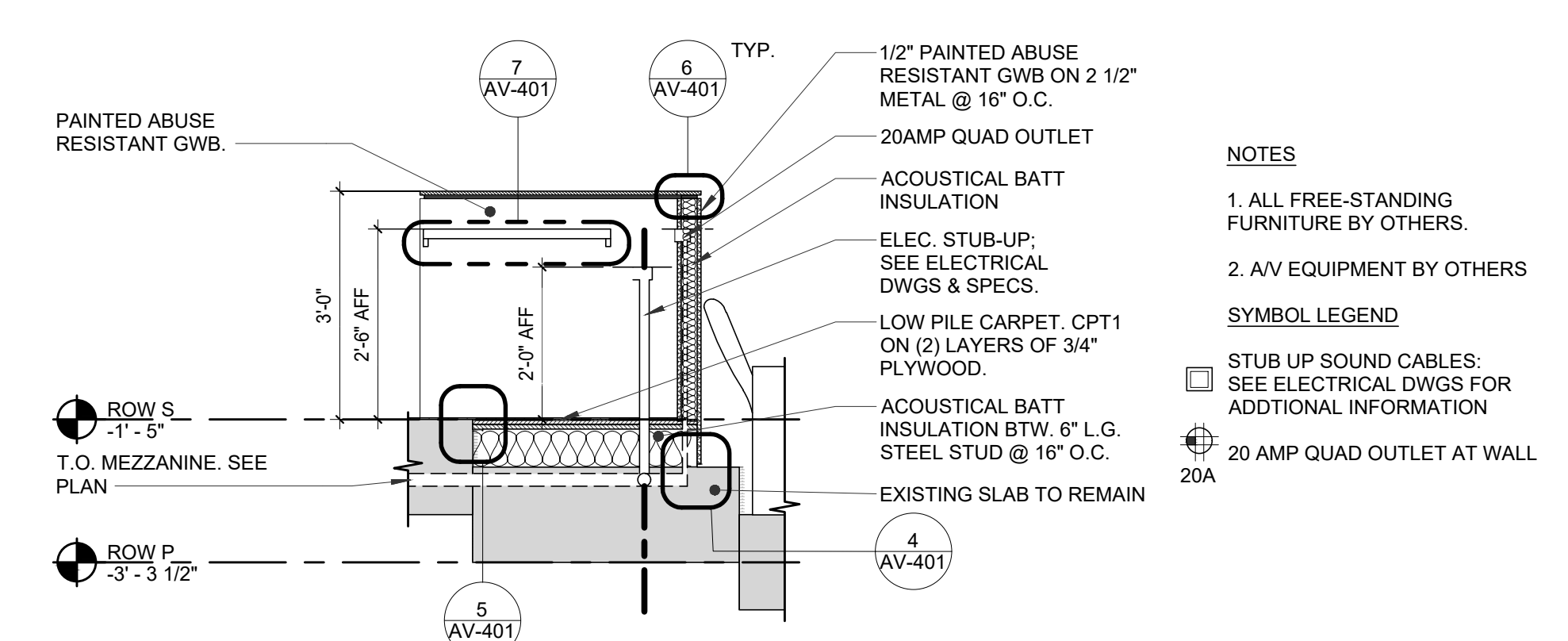
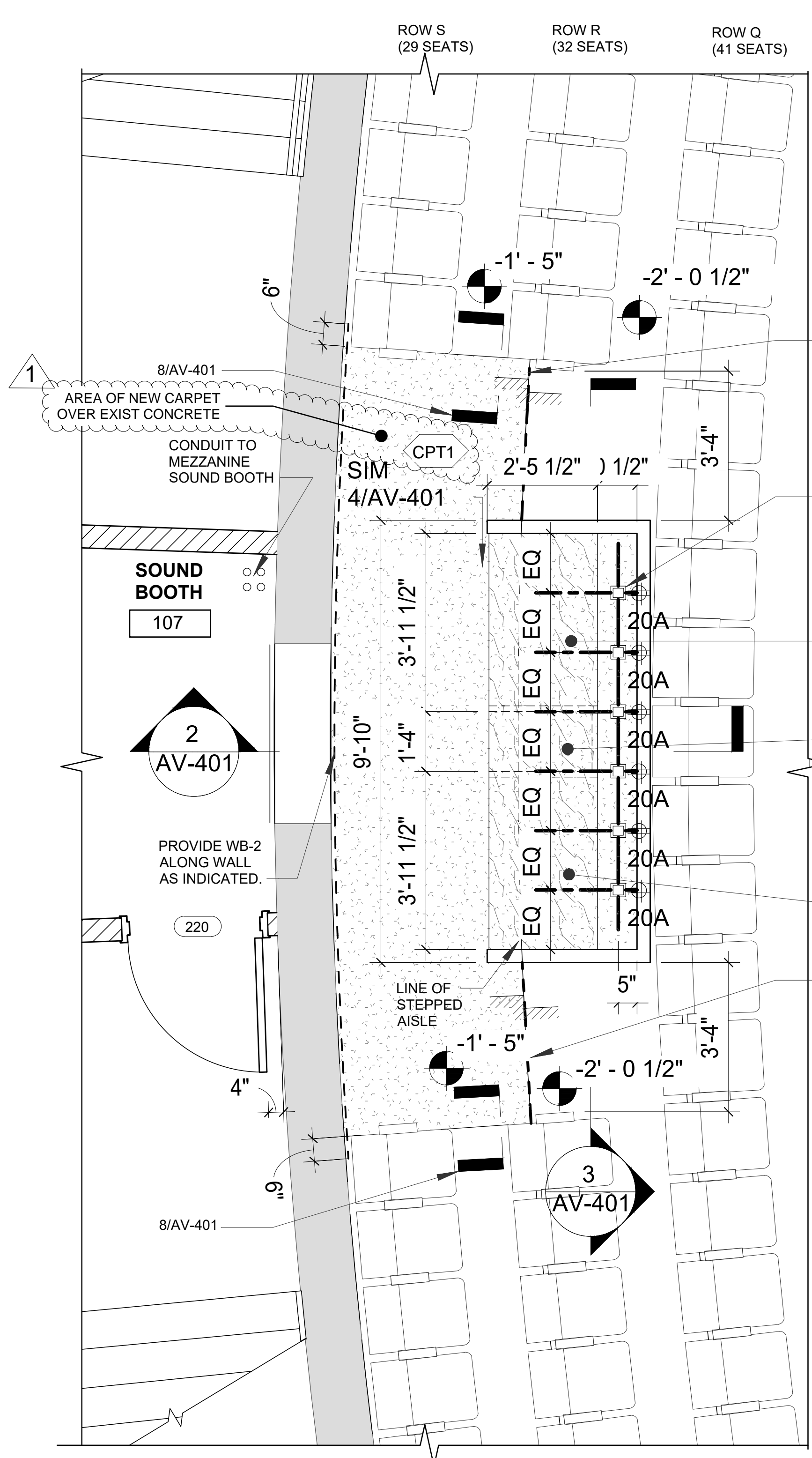


KEY PLAN

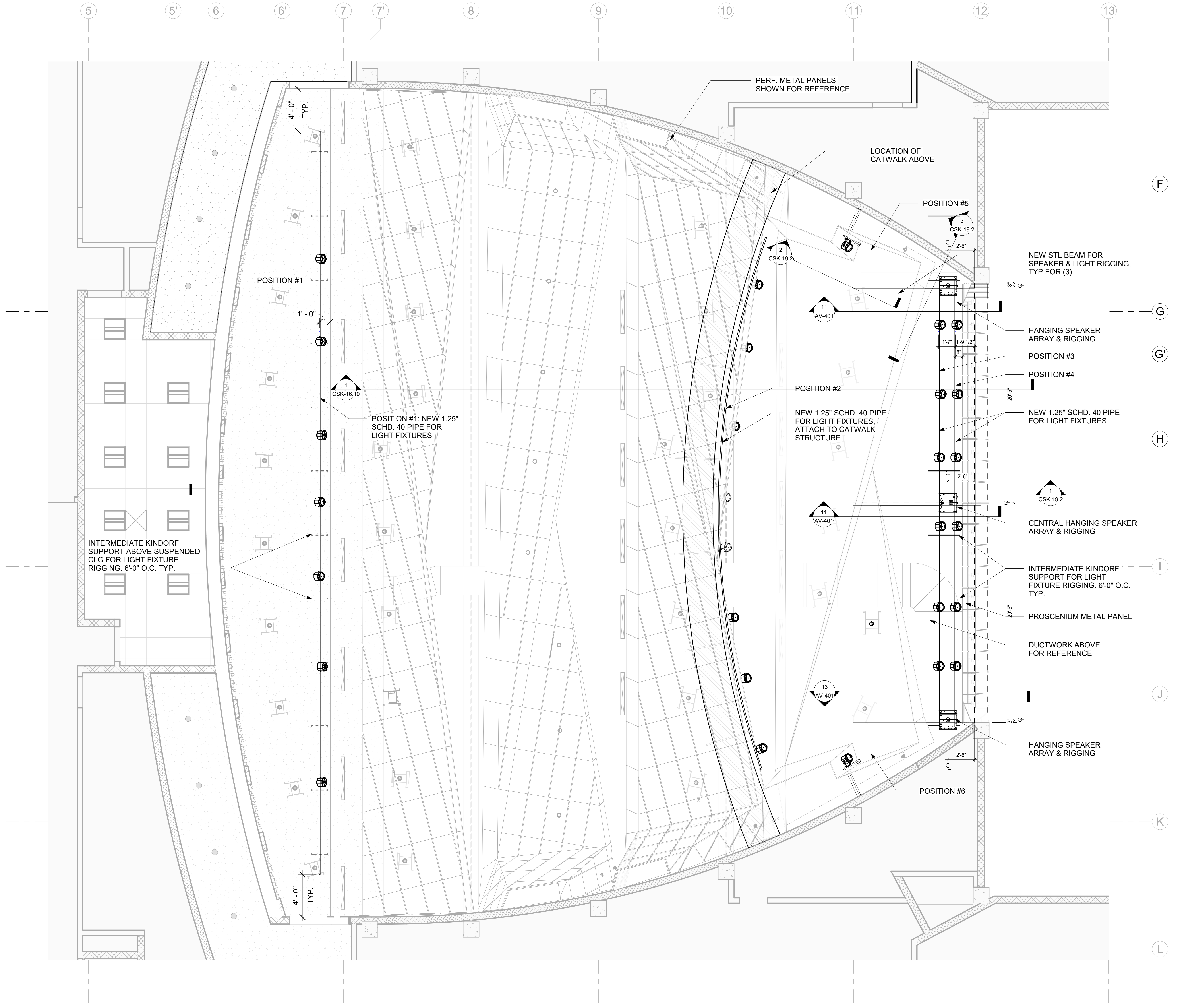
**AV  
DETAILS**

GCE Project No. 1277.01.00
Scale: As Noted
Designed by:
Drawn by:
Checked by:
Date: 01/22/2020
Drawing No.:

**AV-401.01**



TO THE BEST OF MY KNOWLEDGE, BELIEF AND PROFESSIONAL JUDGMENT, THESE PLANS AND SPECIFICATIONS ARE IN COMPLIANCE WITH THE NEW YORK CITY ENERGY CONSERVATION CODE.



REV	DATE	DESCRIPTION

CELLAR	FIRST FLOOR
SECOND FLOOR	THIRD FLOOR-PENTHOUSE

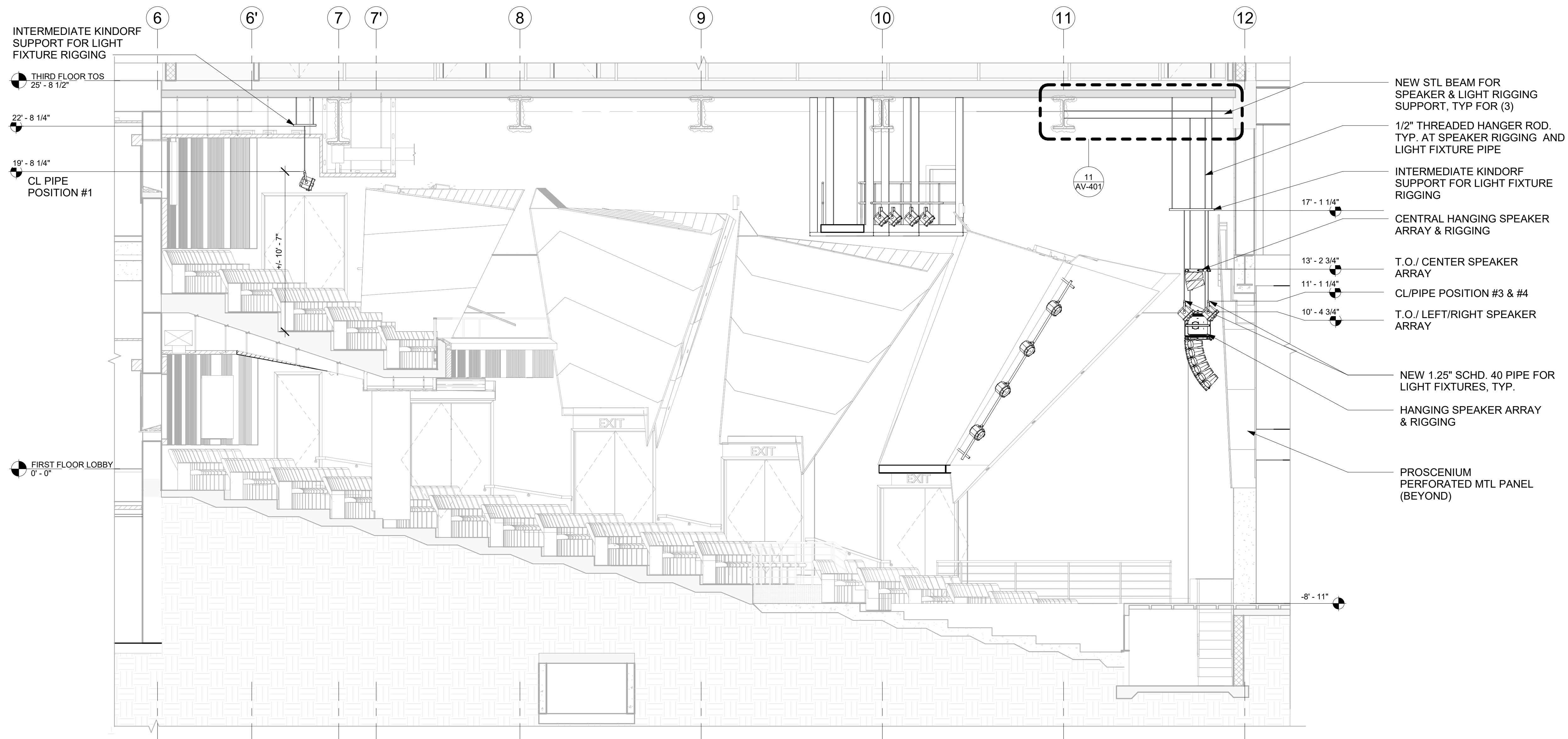
KEY PLAN

**AV REFLECTED CEILING  
 COORDINATION PLAN**

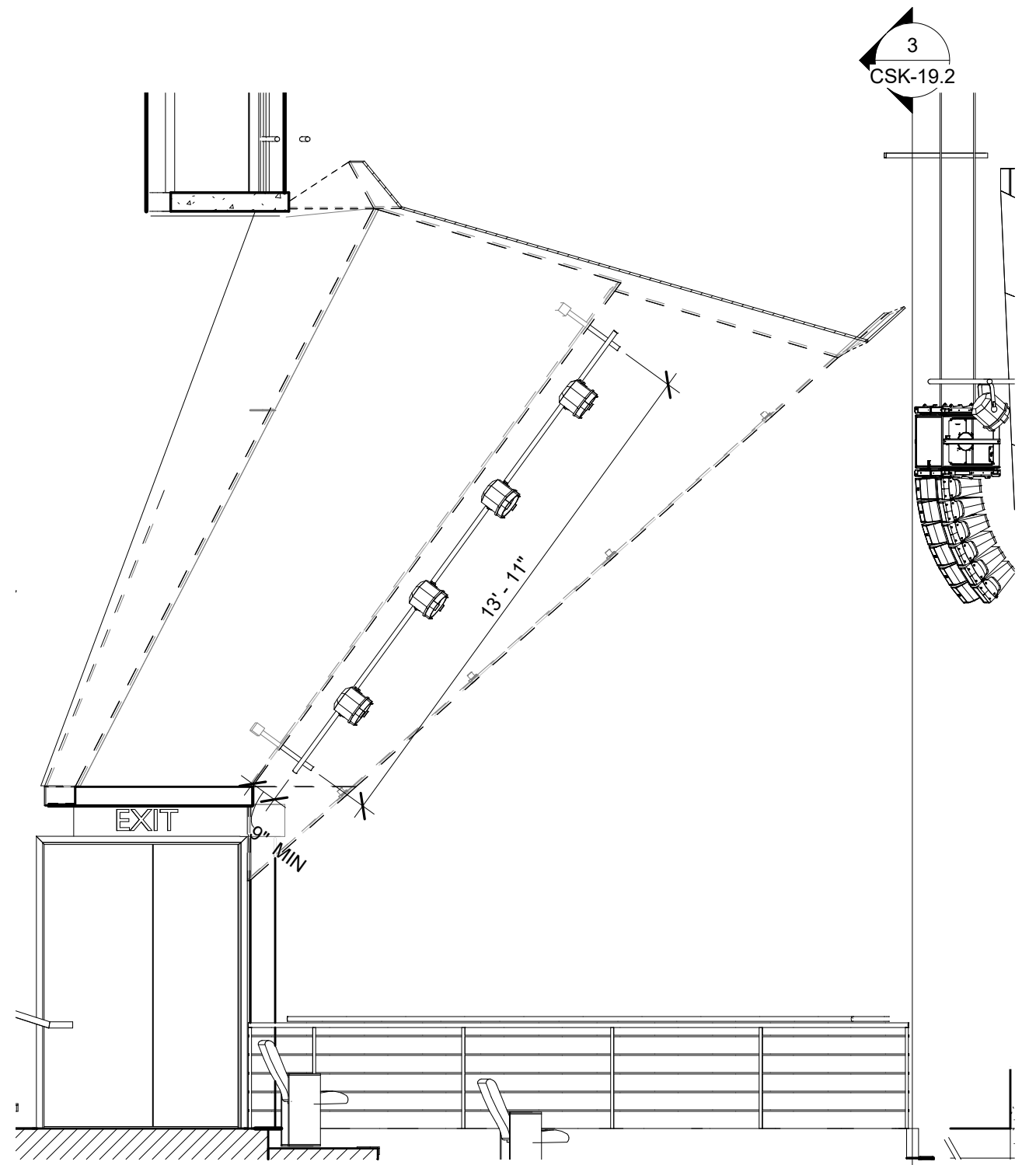
**1 AV THEATER RCP COORDINATION PLAN**  
 CSK-19.1 SCALE: 1/4" = 1'-0"

GA Project No.:	201230
Scale:	1/4" = 1'-0"
Designed by:	MB
Drawn by:	MP
Checked by:	KK
Date:	09/13/2021
Drawing No.:	

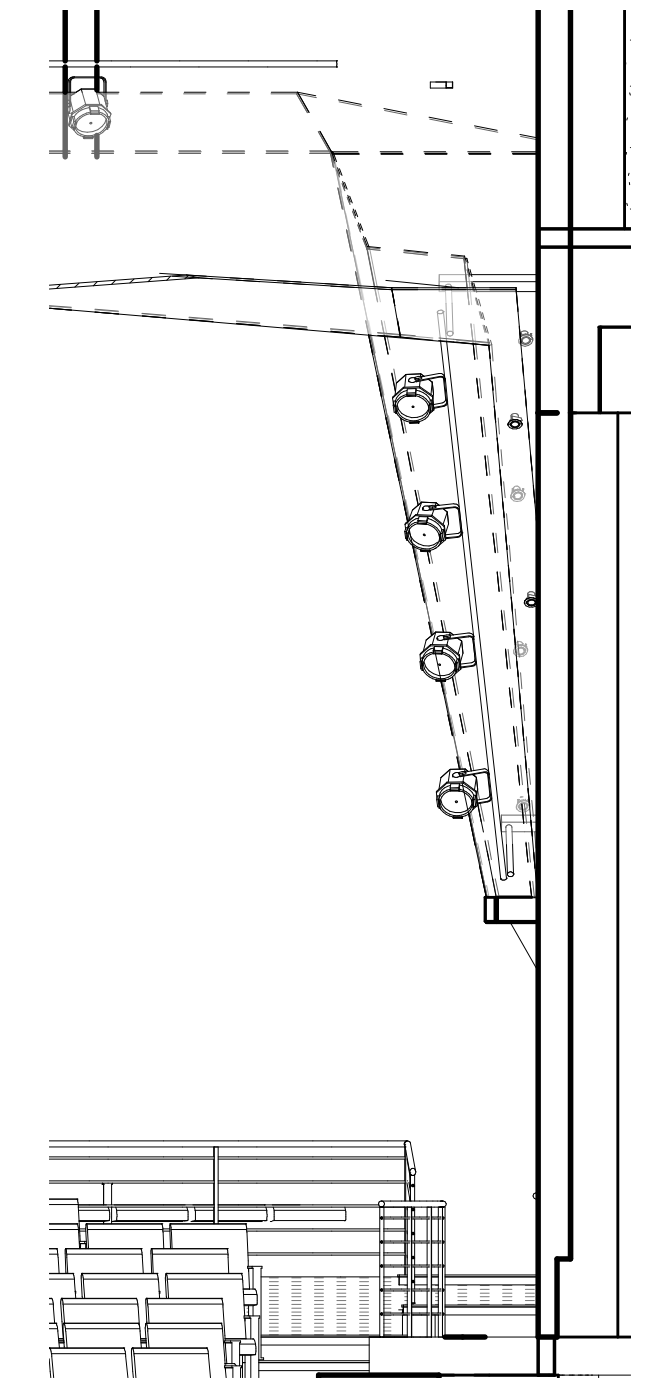
**CSK-19.1**



**1 AV COORD - THEATER LONGITUDINAL SECTION**  
 CSK-19.2 SCALE: 1/4" = 1'-0"



**2 BOOM SIDE ELEVATION @ POSITION #5**  
 CSK-19.2 SCALE: 1/4" = 1'-0"



**3 BOOM FRONT ELEVATION @ POSITION #5**  
 CSK-19.2 SCALE: 1/4" = 1'-0"

REV	DATE	DESCRIPTION



GA Project No.:	201230
Scale:	1/4" = 1'-0"
Designed by:	MB
Drawn by:	MP
Checked by:	KK
Date:	09/13/2021
Drawing No.:	