



DASNY

ANDREW M. CUOMO
Governor

ALFONSO L. CARNEY, JR.
Chair

REUBEN R. MCDANIEL, III
President & CEO

SECTION A

ALBANY (HEADQUARTERS): 515 Broadway, Albany, NY 12207 | 518-257-3000
NEW YORK CITY: One Penn Plaza, 52nd Floor, New York, NY 10119 | 212-273-5000
BUFFALO: 539 Franklin Street, Buffalo, NY 14202 | 716-566-4400
ROCHESTER: 3495 Winton Place, Building C, Suite 1, Rochester, NY 14623 | 585-461-8400

DORMITORY AUTHORITY STATE OF NEW YORK
WE FINANCE, DESIGN & BUILD
NEW YORK'S FUTURE.
www.dasny.org



DASNY

<u>BID NO.:</u> 682	<u>PROJECT NAME & LOCATION:</u> South Beach Psychiatric Center 777 Seaview Avenue Staten Island, New York 10305
<u>Description:</u> Furnish, Deliver and Install X-Ray Machine	
<u>Bid Open Location:</u> DASNY 515 Broadway, Albany, NY 12207	
<u>Bid Open Date:</u> August 28, 2020	<u>Contact:</u> Theresa Graffeo
<u>Bid Open Time:</u> 2:30 p.m.	

NOTICE TO BIDDERS

MAIL BIDS EARLY

Sealed bids will be received by DASNY at the above address for the items listed in the attached Bid Breakdown and Schedule. When submitting your bid you must:

1. Prepare your bid on the attached Bid Breakdown and Schedule. Return one signed original of the Bid Breakdown and Schedule
2. If your bid deviates from Specifications, explain such deviations or qualifications on your letterhead, setting forth therein such explanations, and attach them to the Bid Breakdown and Schedule.
3. Submission of a bid constitutes full knowledge and acceptance of all provisions of the Notice to Bidders, all information referenced in the Purchasing General Conditions, Supplemental and Detailed Specifications, the Bid Submission and any Supplemental General Requirements contained herein, as well as any addenda issued in relation to the Invitation for Bids.
4. Each bid shall bear on the outside of the envelope the name of the bidder, address, telephone number and designated as a bid for the following:
DASNY Bid No. 682
Bid Opening Date: 8/28/2020 @
2:30PM

Return to:
DASNY
Attn: Purchasing Unit
515 Broadway
Albany, NY 12207-2964

Bid No.: 682

When a sealed bid is placed inside another delivery jacket, the bid delivery jacket must be clearly marked on the outside “**BID ENCLOSED**” and “**ATTENTION: PURCHASING UNIT**”. The Dormitory Authority will not be responsible for receipt of bids which do not comply with these instructions.

5. Mail bid responses early in order for them to be received before the time of the bid opening. **Late bids will be automatically rejected.** Individuals submitting bids in person or by private delivery services should allow sufficient time for processing through building security to assure that the bids are received prior to the deadline for submitting bids. All individuals who plan to attend bid openings will be required to present government-issued picture identification to building security officials and obtain a visitor’s pass prior to attending the bid opening.

6. In accordance with State Finance Law § 139-j and 139-k, this solicitation includes and imposes certain restrictions on communications between Dormitory Authority personnel and an Offerer during this procurement process. Designated contact for this solicitation is:
Theresa Graffeo, at Dormitory Authority – State of New York, 515 Broadway, Albany, NY 12207 (518) 257-3583. Contacts made to other Dormitory Authority Personnel regarding this procurement may disqualify the Offerer and affect future procurements with governmental entities in the State of New York. Please refer to the Authority’s website www.dasny.org for Authority policy and procedures regarding this law, or the NYS office of General Services website www.ogs.ny.gov/BU/PC/ for more information about this law.



Bid No.: 682

If you are not submitting a bid it is requested that you complete and return the lower portion of this form

(Please check all that apply and provide comments in the space provided, if necessary)

- We are not Submitting a bid. We Request removal of our name from the mailing list.
- Location of the job site. Commodity is not carried by our company.
- Scope is too large.

Other/Additional Explanation: _____

NAME OF BIDDER: _____

ADDRESS _____

:

Street
Telephone

City

State

Zip

Signature of Bidder

Official Title



DASNY

GENERAL SPECIFICATIONS

- (1) The enclosed Purchasing General Conditions are hereby incorporated by reference. Submission of a bid response shall constitute acceptance of such conditions. Any exceptions/clarifications/qualifications to these conditions or other specifications and/or requirements contained herein must be clearly stated in the bid response and, depending upon the nature of such, may be grounds for rejection of your bid.
- (2) Bids must be submitted in the bidder's full legal name, or the bidder's full legal name plus a registered assumed name, if any.
- (3) All NYS bidders are required to be registered to do business with the NYS Department of State or their local County Clerk, whichever is applicable.
- (4) All out-of-state bidders will be required to provide proof of registration to do business in their state. All out-of-state bidders that "do business in New York State" **MUST BE REGISTERED WITH THE NYS DEPARTMENT OF STATE**. Please contact the NYS Department of State at (518) 473-2492. Information is available at the DOS website: www.dos.ny.gov
- (5) DASNY is required by law to notify the Empire State Development of any procurement contract for one million dollars or more that is to be awarded to an out-of-state vendor. This notice must be done simultaneous to the notification of award provided to the vendor. A purchase order or contract cannot be issued until fifteen (15) days after such notification is provided.
- (6) Empire State Development is required by law to identify states and other jurisdictions that impose preferences or other penalties against New York bidders. DASNY is precluded from soliciting bids or entering into procurement contracts with companies that have their principal place of business located in one of the listed jurisdictions, unless the procurement is for a product that is substantially manufactured in New York State or the services are to be performed in New York State. Currently, this list of jurisdictions includes the states of Alaska, Hawaii, Louisiana, South Carolina, West Virginia and Wyoming.
- (7) Unless otherwise indicated, any reference to brands or model numbers is intended to establish a standard. Items of all manufacturers will be considered, provided the item is determined to meet or exceed the required specification. DASNY's decision as to whether a substitute item meets specification will be final. Your attention is directed to Article II-7, Page 5 of the General Conditions. In order to evaluate substitute items, detailed specifications must be submitted for any product that is other than the one(s) specified in the bid.



DASNY

GENERAL SPECIFICATIONS CONTINUED

- (8) Unless otherwise noted, guarantee on all items is to be one year as detailed in Article XVI of the General Conditions
- (9) All upholstered furniture and drapery panels and lining must meet strict flammability requirements. Standards applicable to this bid, if any, will be delineated in the Detailed Specifications.
- (10) LABOR/TRADES - Any labor, materials or means whose employment, or utilization during the course of this contract, shall not in any way cause or result in strike, work stoppages, delays, suspension of work; or similar troubles by workers employed by this contractor or his subcontractors, or by any of the trades working in or about the buildings and premises where work is being performed. Any violation by the contractor of this requirement may in the sole judgment of DASNY be considered as proper and sufficient cause for declaring the contractor to be in default, and for the owner to take action against him as set forth in the Purchasing General Conditions, Article VIII, "Termination", or such other action as DASNY may deem proper.
- (11) Bid results are available on the DASNY website (www.DASNY.org). Bid results will not be given over the phone.
- (12) If you are a NYS Certified Minority or Women Owned Business, please include a copy of your certification with the bid.



DASNY

ANDREW M. CUOMO
Governor

ALFONSO L. CARNEY, JR.
Chair

REUBEN R. MCDANIEL, III
Acting President & CEO

SUPPLEMENTAL SPECIFICATIONS

The following items are attached for informational purposes. Referenced documents need not be returned with the proposal. These documents are only applicable to the successful bidder and the ensuing procurement contract. Documents are only applicable to the successful bidder and the ensuing procurement contract. Documents applicable to the procurement that will result from this Invitation for Bids are designated by a check box (☒). Unless otherwise indicated, the referenced documents are located at the end of this Invitation for Bids.

- Purchasing General Conditions** – The DASNY Purchasing General Conditions contains terms and conditions of purchases made by DASNY. It is recommended that this document be reviewed fully.
- M/WBE Utilization Plan and Request for Waiver** - Minority and Women-Owned Business Enterprise (M/WBE) goals for this project are 0% and 0%, respectively. The successful bidder shall be required to complete a Utilization Plan or Request for Waiver, to be approved by DASNY’s Opportunity Programs Group. Reference Purchasing General Conditions, Article XIX, Affirmative Action for Contracts Mr. Michael Clay, DASNY Opportunity Programs Group at (518) 257-3464, is available to assist all bidders in attaining these goals. *Reference the enclosed “Good Faith Efforts Guidelines”.*
- Supplemental General Requirements** – Attached (if applicable) are the Supplemental General Requirements (SGRs) which provide important logistical information and additional conditions which govern this procurement. Please read these SGRs carefully.
- Form of DASNY Contract** – The procurement resulting from the Invitation for Bids will be executed through a DASNY purchase order and a related contract. The contract executed with the successful bidder will be in the same substantial form as the attached “Form of Contract”. Note that this Invitation for Bids and any response to such will be annexed as binding terms of the purchase agreement.
- Certificate of Insurance** (*sample enclosed*) – The successful bidder will be required to provide a Certificate of Insurance pursuant to Article XIV of the enclosed Purchasing General Conditions. The certificate shall name DASNY and other designated parties as additional insureds.

SUPPLEMENTAL SPECIFICATIONS CONTINUED

- Worker’s Compensation / Disability Insurance** – The successful proposer will be required to provide specific documentation with respect to Worker’s Compensation and Disability Insurance pursuant to Article XIV of the enclosed Purchasing General Conditions. Requirements are detailed in the enclosed “Workers’ Compensation and Disability Benefits Requirements” document.

- Prevailing Wage Schedule** – NYS Labor Law requires all wages paid by contractors and subcontractors on public work projects be paid at the prevailing wage rates. Enclosed is the current rate schedule for the appropriate county. Contractors and Subcontractors are responsible for obtaining current rates throughout the course of the project. The NYS Department of Labor (NYS DOL) updates these rates on July 1st of each year. Current rates can be obtained on the NYS DOL website (www.labor.state.ny.us) or by fax at (518) 485-1870. Note that an executed Contractor and Subcontractor Certification and certified payrolls, which include the hours and days worked by each workman, laborer or mechanic, the occupation at which he worked, the hourly wage rate paid and the supplements paid or provided, must be submitted with each and every payment requisition. **DASNY will not process an invoice without this information.** Forms are available on the DASNY website:
<http://www.dasny.org/construc/forms2/vendors.php>

- Labor and Material Payment Bond** – The successful bidder must be prepared to provide surety bonds prior to award in accordance with Article XIV of the DASNY Purchasing General Conditions. The costs of these bonds are to be separately stated in the total bid price as indicated on the Bid Breakdown and Schedule.

- Performance Bond** – The Successful bidder must be prepared to provide surety bonds prior to award in accordance with Article XIV of DASNY Purchasing General Conditions. The costs of these bonds are to be separately stated in the total bid price as indicated on the Bid Breakdown and Schedule.

- Standard Vendor Responsibility Questionnaire (SVRQ)** – The successful proposer, in accordance with Article XXII of DASNY Purchasing General Conditions, will be required to complete the enclosed SVRQ. The award of a contract will be subject to a review of the information contained in these forms.



SUPPLEMENTAL SPECIFICATIONS CONTINUED

- NYS Uniform Contracting Questionnaire (UCQ)** – The successful proposer will be required to complete the enclosed UCQ. The award of a contract will be subject to a review of the information contained in these forms.

- DASNY Contractor and Consultant Questionnaire (CCQ)** – The successful proposer will be required to complete the enclosed CCQ. The award of a contract will be subject to a review of the information contained in these



DASNY

ANDREW M. CUOMO
Governor

ALFONSO L. CARNEY, JR.
Chair

REUBEN R. MCDANIEL, III
Acting President & CEO

Supplemental General Requirements

Requests for Information:

All questions pertaining to Bid No. 682 – Furnish, Deliver and Install X-Ray Machine are due no later than 4:00 p.m. on August 19, 2020 to tgraffeo@dasny.org. RFI Responses will be posted via Addenda to DASNY's Website in the Attachments Section of the Bid Opportunity Page for Bid No. 682.

Site Visit:

A site visit has been scheduled for Tuesday, August 18, 2020 at 10:30 a.m. at South Beach Psychiatric Center, located at 777 Seaview Ave. Staten Island, NY 10305. Please confirm attendance to Dominick Tucciarone, (646) 423-0522 or DTucciarone@tdxconstruction.com.



DASNY

ANDREW M. CUOMO
Governor

ALFONSO L. CARNEY, JR.
Chair

REUBEN R. MCDANIEL, III
Acting President & CEO

Detailed Specifications



DASNY

ANDREW M. CUOMO
Governor

ALFONSO L. CARNEY, JR.
Chair

REUBEN R. MCDANIEL, III
Acting President & CEO

Furnish, Deliver, Assemble and Completely Install QTY 1 X-Ray Machine for OMH's South Beach New Residential Building. Detailed specifications are listed below and included in the attached product information.

OVERVIEW

101633 DuraDiagnost Rel. 4

Qty	Product
1	NNAS643 Dura LE Bundle
1	NRDN419 Pair of handgrips for flat sect. locking rails
1	NRDN403 Grid Landscape SkyPlate Large
1	989001089242 Wall mountable holder for WPD Grids or SkyPlate

Line #	Part #	Description	Qty
1	**NNAS643	Dura LE Bundle DuraDiagnost LE	1

With the introduction of a new DuraDiagnost family generation, Philips has built up comprehensive radiography solutions at affordable costs, and now we release the Value room HAT limited Edition, which has a fixed, easy to configure standard configuration also for large bulk deals. Not only provide high reliability with proven DR technology from Philips, but also the efficient workflow and excellent image quality. Thanks to its wireless portable detector set-up and height adjustable table, it can handle an efficiency variety of patient examinations in a single radiography room. Your patients benefit from fast examinations.

Your facility benefits from a reputation for quality, by offering a high level of imaging services based on the DR technology from Philips - one of the world's leading healthcare providers.

- Versatile workhorse supports high return on investment.
- High reliability with proven DR technology from Philips - one of the leading DR innovators.
- With additional options, the DuraDiagnost system supports both Connection to hospital networks (RIS) and to DICOM-compatible workstations, archives and printers.

Applications:

- The DuraDiagnost value room HAT limited Edition can fulfill all general applications in radiology departments. The full flexibility of procedures is achieved by manually operating the system
- The users have the following exposure techniques selections:
 - Detector exposures with a vertical, horizontal and/or oblique radiation beam
 - Free Exposure technique with CR and film cassettes

Main features:

- Improved efficiency patient throughput thanks to less cassette operation and one portable wireless detector design.
- Automated image processing.
- Wireless detector (35 cm x 43 cm, 14"x17") offers diagnostic. Information with both landscape and portrait positions.
- Optional network capability: RIS/HIS/PACS.
- Manual collimation
- Manual operation of geometry
- Grid, exchangeable by user

Comprising:

- Digital Flat Detector
- Multi-purpose floor-mounted Bucky geometry
- Operating station with harmonized user interface
- UNIQUE advanced image processing
- AMPLIMAT chamber

1. Digital Flat Detector

- Wireless detector
- Detector with field size 35 x 43 cm (14" x 17")
- Resolution 2330x2846 pixels
- Pixel pitch 0.148 mm
- Pixel depth 16 bits

2. Multi-purpose floor-mounted Bucky geometry

- All columns and Bucky movements are manually operated. The DuraDiagnost features a floor-mounted table design with the X-ray tube can be centered to the detector for fastest, most precise and convenient patient positioning. Depending on the user's preference, the system is available with either fixed or variable SID.

- The DuraDiagnost is built based on customer experience and workflow. This means that customers have convenience and flexibility of positioning patients every time. "ComfortAlign" feature allows technologist to complete the alignment between tube and vertical stand easily.

- Patient table:

- o Motorized height adjustment table from 51.5 to 75 cm
- o Max. Patient load: 250 kg
- o Table top size: 240 cm x 75 cm
- o Tabletop travel
- § Longitudinal: ± 60 cm
- § Transverse: ± 13 cm

- Bucky Wall Stand (Vertical Stand)
- o Vertical movement: 35 cm to 185 cm

- Tube Stand
- o Longitudinal travel: 135 cm
- o Vertical movement: 35 cm to 185 cm

- Rotation of tube around vertical axis: -180° to $+90^\circ$
- SID: 110 - 245 cm
- X-ray tube rotation: $+120^\circ$ to -120°

3. Operating station with harmonized user interface

- The operating workstation, Eleva workspot, completes the system with a clear user interface, optimized for the technologist's work.

- Including:
 - o PC, keyboard and mouse

- o Prepared for "DICOM Media" feature
- o Main application for patient scheduling, image display, review, image and examination editing
- o Clear and workflow optimized user interface
- o Image verification on fully processed image
- o UNIQUE, the best in class multi resolution image processing, delivers images of high standard that are ideal for softcopy viewing and film printing
- o Full 12 bits pixel depth image chain (acquisition, processing, storage and export). Provides optimal image quality at all steps
- o DICOM Greyscale Standard Display Function, ensuring consistent presentation of images from screen to PACS or film
- o User password protection (log on, log off) for data security and privacy
- o 19" flat panel color TFT LCD display designed for touch input

- Advantages:

- o Takes full advantage of DuraDiagnost advanced user interface and ease of use
- o Optimizes workflow and efficiency
- o Combines the space-saving advantage of flat panel technology with the benefits of touch input
- o Pure-glass touchscreen with superior image clarity, resolution, light transmission and long-lasting cycle
- o Durable, scratch-resistant glass surface
- o Uses best in class "surface wave" touch technology (also known as surface acoustic wave, or SAW), allowing to be used with finger, gloved hand or soft stylus

- Comprising:

- o Active Matrix TFT LCD display with anti-reflex touch front, hard coated top sheet
 - o Display matrix: 1280x1024 landscape
 - o Wide visible screen size: 19" (48.2 cm) diagonal
 - o Quick response time: 25 ms typical
 - o Fine pixel pitch: 0.376 mm
 - o High brightness with touch-screen: 276 candela/sqm
 - o High contrast ratio: 700:1
 - o Wide viewing angles horizontal: +/- 85°, vertical: +/- 85°

- Compatible with:

- o SXGA display mode (1280x1024)
- o XGA display mode (1024x768)
- o DuraDiagnost

4. UNIQUE advanced image processing

- UNIQUE advanced multi-resolution image processing allows for optimal "Contrast Harmonization". Details will be enhanced while the overall impression remains natural. If used in combination with PCR UNIQUE, equal image impression results on both modalities

5. AMPLIMAT chamber

- AMPLIMAT chamber with 3 measuring fields.

Stretch Grip for VS/VM stand

The stretch grip for vertical stand improves examination conditions and patient comfort.

Main benefits at a glance

- Allow the patient to comfortably keep his arms overhead or beside the Bucky unit by holding the grip
- Ergonomic U-shape providing different grip heights to adapt to patient size
- Can be inserted at the top left or right side of the Bucky unit, depending on the situation
- Convenient wall mounted holder for immediate and safe storage

Specifications

- Metallic U-shape grip
- Rotatable from -90° to $+90^{\circ}$ around the vertical axis

Comprising

- Stretch grip
- Storage holder to be wall mounted

Compatible with

- VS and VM vertical stands
- This option is only selectable for BuckyDiagnost when the VS Advanced package is taken

Generator and tube (65kW generator and SRO 33100 X-ray tube)

Generator featuring modern architecture based on a modular design using high performance components to enable a customer specific solution.

Specifications

- Computer controlled converter X-ray generator
- Converter generator generates high voltage equivalent to DC voltage
- Power: 65 kW
- Three phases, 400 - 480 VAC, 50/60 Hz
- Low or dual speed rotor control, depending on tube
- Max voltage: 150 kV
- Max current: 928 mA at 70 kV; 650 mA at 100kV
- mAs product: 10 to 850 mAs
- Exposure time: 1 ms to 4 s
- Maximum mains resistance at 400V: 0.2 Ohm
- Maximum mains current at 400V: 190 A

Philips SRO 33100 X-ray tube

This Philips dual-focal rotating anode high power X-ray tube can be used for all general radiography applications. It is particularly adapted for examinations requiring high power. The anode target angle allows a 43 x 43 cm (17 x 17") X-ray field at minimum source-image distance of 100 cm (39.4")

Main benefits at a glance

- All radiography applications, especially chests
- Superimposed dual focal spots
- Excellent lifetime performance
- High speed running anode (up to 10,800 revolutions per minute)
- Housing with 90° horn angle position with free air convection cooling

Specifications

- Two focal spots: 0.6 and 1.2
- Maximum power@ 10000 RPM: 33 kW with focal spot 0.6, 100 kW with focal spot 1.2
- Anode angle: 13°
- Maximum tube voltage: 150 kV
- Anode heat storage capacity: 220 kJ (300 kHU)
- Assembly heat capacity: 1,247 kJ (1,700 kHU)
- Minimum anode speed: between 8,000 and 10,000 revolutions per minute
- Build in filter 2 mm Al (5/64")
- Total filtration minimum: 2.6 mm Al (105/1024")
 - Double tube overload protection
 - Total tube weight: 23 kg

Comprising

- Generator 65kW
- Philips SRO 33100 X- ray tube
- X-ray housing ROT 380
- Standard clamp fitting
- Two thermal safety switches (tube housing temperature)

Compatible with

- DuraDiagnost rel.1
- DuraDiagnost rel.2 and above
- DuraDiagnost Compact rel.1
- DuraDiagnost Compact rel.2

Large SkyPlate Set

Philips SkyPlate is the next generation of wireless portable detectors. It is an integrated part of the Eleva platform and defines a new dimension of flexibility and freedom within the radiography room.

Main benefits at a glance

- DR speed and excellent image quality with the positioning flexibility of CR
- ISO compliant cassette size format (35 cm x 43 cm, 14 inch x 17 inch) to fit into standard operating room tables
- Reduced patient infection risk and easy handling thanks to the detector's cable-free design
- Easy handling thanks to the detector's cable-free design
- Easy handling for free exposures
- Flexible positioning for lateral or oblique projections
- Instant image display
- State-of-the-art CsI detector technology and UNIQUE image processing for optimal image quality at low dose
- Robust shell of the detector to protect it from water drops and dust
- Easy, precise and safe positioning around the patient, even for difficult projections, provided by a rich set of dedicated accessories
- SkyPlate sharing license, to use the wireless detector on another compatible Philips X-ray system

The SkyPlate large covers all relevant anatomy with its large detector area of 35 cm x 43 cm (14 inch x 17 inch). Depending on anatomy, it can be positioned in different orientations and offers full diagnostic information even with large patients. Combined with Philips advanced UNIQUE image processing, grid-line removal algorithm and state-of-the-art Cesium Iodide (CsI) technology, it has an excellent detective quantum efficiency (DQE) and helps to reduce the required patient dose. It provides instant image display with superb image quality on the Eleva workspot for increased diagnostic confidence.

Thanks to its cable-free design, the SkyPlate allows quick and efficient procedures with high hygienic standards. Its robust design and a rich set of optional dedicated accessories (mobile holder, bed holder, attachable grids and hygienic bags) offer easy, safe and quick positioning throughout the hospital. Special projections like laterals can easily be performed without moving the patient. Its slim design is optimized for critical environments to reduce the risk of interfering with life supporting equipment, cables, tubes and catheters.

The detector features advanced low-power WiFi connection technology and is designed according to IEC 60601-1-2. It is compliant with life supporting devices designed according to IEC 60601-1-2 and with pacemakers designed according to IEC (EN) 45502-2-1 when keeping indicated distances. The SkyPlate battery can be removed and recharged in the battery charging station. Once a battery is empty, a new one can be inserted to immediately continue working with the SkyPlate.

SkyPlate sharing allows taking the SkyPlate from the system and using it with other compatible Philips MobileDiagnost wDR, DigitalDiagnost or ProGrade systems. Thereby, SkyPlates can be used efficiently wherever needed and help driving down investment costs. Compatible systems need to carry the SkyPlate Sharing license to participate in SkyPlate sharing.

Specifications

- Size: 35 cm x 43 cm (14 inch x 17 inch) SkyPlate large wireless digital flat detector with Cesium Iodide (CsI) technology, active detector area 34.48 cm x 42.12 cm (13.6 inch x 16.6 inch) (2330 x 2846 pixels), pixel pitch 0.148 mm
- Image resolution: up to 3.38 line pairs per mm
- Typical weight: 2.8 kg (6.2 lbs) including battery

- Maximum patient weight:
 - 100 kg (220 lbs) on 4 cm (1.6 inch) disk for weight-bearing examinations
 - 300 kg (662 lbs) for distributed load, e.g. chest examinations in bed
- WLAN network standard: IEEE802.11 a, b, g or n (configurable)
- Encryption: default WPA2
- Optional attachable grids
 - Portrait orientation: 44/8/130: 44 lines/cm (112 lines/inch), ratio 8, focus 130 cm (51 inch)
 - Landscape orientation: 40/8/130: 40 lines/cm (100 lines/inch), ratio 8, focus 130 cm (51 inch)

Comprising

- SkyPlate large 35 cm x 43 cm (14 inch x 17 inch)
- Two exchangeable batteries
- Set of 100 hygienic bags
- Software licenses
- SkyPlate sharing license
- Documentation

Compatible with

- DigitalDiagnost Release 4.x
- MobileDiagnost wDR Release 2.x
- ProGrade 1.x
- CombiDiagnost R90
- ProxiDiagnost N90
- Attachable grids for SkyPlate 35 cm x 43 cm (14 inch x 17 inch) in portrait and landscape orientation

Vacutec DAP Package for dose area product measurement.

X-ray system independent dose area product measuring equipment for one measuring chamber.

Comprising:

- DAP cable
- DAP Interface Board
- DAP Measurement Chamber
- Spacer for access.rails

Remark:

Not for pulsed fluoroscopy

DICOM Communication Package

This package provides all DICOM features available with PCR Eleva:

DICOM Print, DICOM Image Export, RIS connection, MPPS.

For full description, please refer to the mentioned features.

Buying this feature once for the reader will make the functionality available on all workspots that have been purchased for this reader.

Compatible with:

- PCR Eleva software release 1.0 and above

Comprising:

DICOM WLM & Classic RIS

Interface to Radiology Information System (RIS).

Worklist handling via a DICOM Basic Work List Management (BWLM) or FTP RIS interface.

The DICOM & Classic RIS connection package allows the Eleva workspot to automatically load the acquisition modality's worklist from a RIS server. The worklist query can be performed 'broad' (generic) or specific (patient oriented), and both interactively (on operator request) and automatically (in background).

For further details on DICOM BWLM, please refer to the system DICOM Conformance Statement.

Buying this feature once for the system will make the functionality available on all workspots that have been purchased for this system.

Comprising:

- DICOM Worklist Management software license
- FTP RIS Interface software license

Compatible with:

- PCR Eleva software release 1.0 and above
- Essenta DR release 1.0 and above

DICOM MPPS

DICOM Modality Performed Procedure Step (MPPS)

DICOM service for notifying the RIS server about start and end of performed procedure steps.

The messages contain references to the originating worklist items (patient and procedure data), a list of exported DICOM images and post exposure data.

MPPS requires that the DICOM WLM feature is enabled.

For further details, please refer to the system DICOM Conformance Statement.

Buying this feature once for the system will make the functionality available on all workspots that have been purchased for this system.

Comprising:

- Software license

Compatible with:

- PCR Eleva software release 1.0 and above
- Essenta DR release 1.0 and above

Generator Data will not be reported automatically for Essenta DR and PCR Eleva!

DICOM Image Export

DICOM Storage and DICOM Storage Commitment

The DICOM Image Export feature provides the DICOM Storage service to send images to PACS or any other DICOM destination in DICOM format.

The Eleva workspot supports DICOM Greyscale Display Standard. Calibration of Eleva workspot and the receiving DICOM node will result in consistently same high image quality.

DICOM Image Export also includes the DICOM Storage Commitment service, allowing the Eleva workspot to be informed by storage destination if images have been securely stored. This trigger is used by the Eleva workspot to allow related images to be deleted locally.

For further details, please refer to the system DICOM Conformance Statement.

Buying this feature once for the reader will make the functionality available on all workspots that have been purchased for this system.

Comprising:

-
- Software license

Compatible with:

- PCR Eleva software release 1.0 and above
- Essenta DR release 1.0 and above

DICOM Print

DICOM Print interface for manual and automatic printing.

DICOM Print allows for manual and automatic printing directly from the Eleva workspot. It enables the user to transfer images to a networked DICOM imager with the choice of different printing modes:

- Autoprint: automatic printing of images on predefined film layouts according to the examination
- Manual print: Manual image placement on predefined film layouts or image placement on free layout composing.

For further details, please refer to the system DICOM Conformance Statement.

Buying this feature once for the system will make the functionality available on all workspots that have been purchased for this system.

Comprising:

- Software license

Compatible with:

- PCR Eleva software release 1.0 and above
- Essenta DR release 1.0 and above
- For compatible printers see product info

Technical Data:

- Only printing via DICOM protocol is possible.

Adapt. Transf. 415-480 V

Comprising:

- three-phase transformer for mains supply voltage adaptation of 415/440/460/480 V to 400 Vand for 380/400 V for mains supply without N (neutral) to be built into the base of generator.

Compatible with:

- Generator OPTIMS 50, 1tube
- second tube connection
- extension to 65 kW
- extension to 80 kW

Wallbox

Wallbox for generator

UPS Package

Provide continuous power supply to AWS.

Clinical Education

Philips Education Specialists will provide twenty eight (28) hours of education for up to four (4) students, selected by customer, including technologists from night/weekend shifts if necessary. Students should attend all 28 hours, and must include any Offsite education attendees if applicable. CEU credits may be available if the participant meets the guidelines provided by Philips. Depending on your system configuration, the first four (4) hours onsite may be spent configuring new equipment for specific clinical needs, as well as reviewing important safety features and quality procedures. Please read guidelines for more information. Site must be

patient-ready. Philips personnel are not responsible for actual patient contact or operation of equipment during education sessions except to demonstrate proper equipment operation.

Comprising:

- Generator and tube (65kW generator and SRO 33100 X-ray tube)
- Large SkyPlate Set
- Vacutec DAP Package
- UPS Package
- DICOM Communication Package
- Cable Set For BTH
- X-Ray Wall box
- Wall Connection Box
- Set of 50 Hygenic Bags
- Stretch grip for VS/VM stand
- XR Dura Diagnost Handover 28hr OnSite

- 2 ****NRDN419** **Pair of handgrips for flat sect. locking rails** **1**
Pair of yellow handgrips for flat section locking rails

Accessory with “quick set lever stop”.

Comprising:

- 2 handgrips

- 3 ****NRDN403** **Grid Landscape SkyPlate Large** **1**

Attachable, fixed grid in landscape orientation for SkyPlate large 43 x 35 cm (17 x 14”).

Main benefits at a glance

- Easy to attach/detach to/from the SkyPlate, thanks to its click-on mechanism
- Convenient handle for safe and easy handling
- For examinations where SkyPlate is used in landscape orientation
- Can be used with source-image distance from 100 to 185 cm (39 to 73 inch)
- Fiber interspaces and carbon fiber cover plates ensure higher contrast and lower required dose than conventional aluminium interspaces grids



PHILIPS

DuraDiagnost

Radiography solutions

Efficient DR room like no other

Philips DuraDiagnost Digital Radiography Solutions

Table of Contents

DuraDiagnost overall benefits	3
Room configurations	
Efficiency room configurations	4
Value room configurations	6
Compact room	8
Chest room	10
Benefits	
Efficient workflow supported by ergonomic design	12
Wireless / Fixed portable flat detectors	14
Dependable Philips DR imaging chain	16
Intuitive Eleva user interface	18
Consistent, quality images with UNIQUE	19
Superb clinical images for confident diagnoses	20
World-class global service support network	22

Flexible DR for **smart, cost effective care**

Experience high reliability, ease of use, and diagnostic confidence

Enjoy a radiography system designed for reliable, consistent performance and low cost of ownership. Philips, a leading provider of digital radiography for the over 20 years, presents DuraDiagnost family.

With a flexible range of room configurations, DuraDiagnost provides your patients a fast, smooth examination, your staff an easy-to-use imaging environment, and your facility a reputation for quality.

Productivity in many forms

Fully featured, compact, or value oriented. Designed for chest, supine, and other general radiography examinations. Whatever you need, you can choose a room configuration that best suits your requirements.

Each solution offers high quality Philips components, making the DuraDiagnost robust and effective. Our world class flat detector, Philips X-ray tube, Eleva user interface, and UNIQUE image processing, combine to achieve excellent image quality and high system uptime.

Make smart use of your financial resources. Discover how the DuraDiagnost can enhance the capabilities of your radiology department.

“We found DuraDiagnost a trustworthy system, offering efficient workflow to meet our clinical needs. It is a perfect fit. The imaging chain of the lightweight SkyPlate plus the Eleva workstation and UNIQUE imaging process software, delivers excellent quality images. The wireless detector technology enables free exposure and easy patient positioning. DuraDiagnost has been a friendly DR solution for our technicians to work with due to its ease of use and short learning curve. We are very satisfied with the capabilities of our DuraDiagnost Digital Radiography solution.”

Prof. Dr. med. Walter Wiesner CEO Radiologie Nordost Diagnostic Centers Switzerland*

Enhance your workflow with DuraDiagnost Efficiency room

When increased patient volume pushes your existing radiography resources to the limit, the DuraDiagnost Efficiency room can help. Available with a variety of options, the Efficiency room is capable of handling a full range of applications including chest, abdominal, and extremity examinations.

Every DuraDiagnost Efficiency room comes fully outfitted with two detectors, vertical stand, X-ray tube floor stand, and table. The distinction is found in the detector and table combinations.

Benefits of two detectors

In the High Performance setup, the fixed detector is set into the vertical stand, while the wireless portable detector is used with the height adjustable table. The system geometry can be easily and quickly positioned for sitting, standing, and supine patients.

Workflow efficiency/ease-of-use

With its flexible configuration, workflow efficiency is enhanced. The use of two detectors supports fast exams and high patient throughput. Overall ease-of-use makes it a valuable diagnostic tool for confident decision-making.

Efficiency room	Fixed height table and two fixed detectors
Efficiency room HAT	Height adjustable table and two fixed detectors
Efficiency room HP	Height adjustable table, one fixed and one wireless detector

Key Advantages

- Reliable performance with high system uptime
- Diagnostic confidence with quality patient care
- High patient throughput enabled by workflow efficiency



Demonstrate financial responsibility with DuraDiagnost Value room

The dedicated Value room offers you a cost-effective opportunity to enter the DR workflow. Central to this performance oriented system is SkyPlate, our lightweight (2.8kg, including battery), cassette-sized, wireless portable detector. SkyPlate can be easily moved between table and vertical stand to accommodate a wide variety of chest, abdominal, and extremity examinations.

Simple, yet fully functional

A floor mounted tube stand, your choice of elevating or fixed height table, and a vertical stand complete the configuration. Its most cost-effective feature, the SkyPlate detector, can be positioned in the table, vertical stand, or used free of both.

The room has been designed to provide a comfortable patient examination experience. Simply choose the table type and begin.

Value room	Fixed height table and one wireless detector
Value room HAT	Height adjustable table and one wireless detector

High image quality at a reasonable price point

Although positioned as a cost-effective introduction to DR, the Value room showcases Philips reliable digital imaging chain for consistently high quality images. There is no need to sacrifice quality to fit your budget.



Key Advantages

- Ease of use by intuitive/ ergonomic design of handling
- Reliable performance with full application capability supported by cassette-sized wireless portable detector
- Diagnostic confidence with excellent image quality and reliable performance

Extend your clinical capacity with DuraDiagnost Compact room

Stretch the capabilities of your hospital and budget with Philips DuraDiagnost Compact room. Flexible U-arm geometry helps turn a small space into an efficient, multipurpose DR examination room.

Perform all general digital radiography examinations for standing, sitting, or recumbent patients, using the system's built-in flat detector. Or use the free exposure technique in conjunction with CR cassettes for difficult positions.



Key Advantages

- Single detector system supports all general radiography applications
- Compact design with low cost of ownership
- Durable DR construction with flexible positioning for fast exams



Flexibility at a low cost

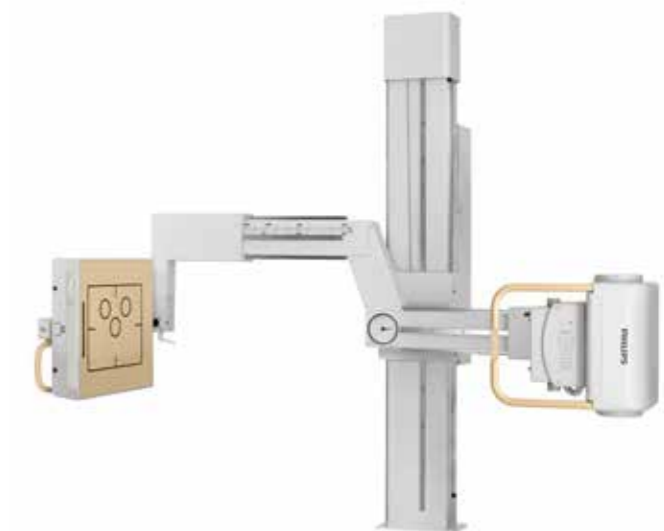
The counter-balanced geometry can be quickly and easily moved into different positions. The X-ray tube is always centered to the detector for fast, and convenient patient positioning.

To keep your cost of ownership low, the system is constructed with sturdy components that are designed to perform well long term.

Fast, smooth exams

Speed and flexibility keeps your schedule moving. The floor mounted U-Arm can be rotated manually from horizontal to vertical in just a few seconds.

The system also allows convenient examination of standing knees thanks to the wide vertical travel range of the U-arm.



Handle growing patient volume with DuraDiagnost Chest room

The innovative design of the DuraDiagnost Chest room simplifies dedicated chest and other vertical exams. The resulting high throughput may lead to a strong return on investment, while always delivering images that meet Philips DR standards.

Not only is the Chest room easy to use, it may enhance patient comfort and provides fast positioning to speed examination time.

Perfect for quick chest exams

To assist your staff with throughput we've designed this room to specifically handle chest examinations in a competent and effective manner.

The vertical stand with a single 17" x 17" wide fixed detector allows for a full range of chest and other vertical examinations, even for wheelchair-bound patients. Examinations of the spine, skull, abdomen and extremities can also be performed comfortably.

Cost and space conscious

The Chest room has only one vertical stand for a working environment where space and budget is an important consideration.



Key Advantages

- Dedicated, fast operation for high throughput environment
- Efficient workflow
- Single stand with fixed detector provides quality, comfort, and consistency

Efficient workflow supported by ergonomic design

Each feature of the DuraDiagnost is designed to assist with the speed, quality, and consistency of your overall examination efforts.



Default Source to Image Distance (SID) (For Efficiency rooms, Value rooms and Chest room)

DuraDiagnost's SID positions are designed to facilitate fast positioning and can be adjusted to support all general radiography examinations.

- Default Position 1 – SID 110 cm
- Default Position 2 – SID 180 cm

Coupling and de-coupling* (For Efficiency rooms and Value rooms)

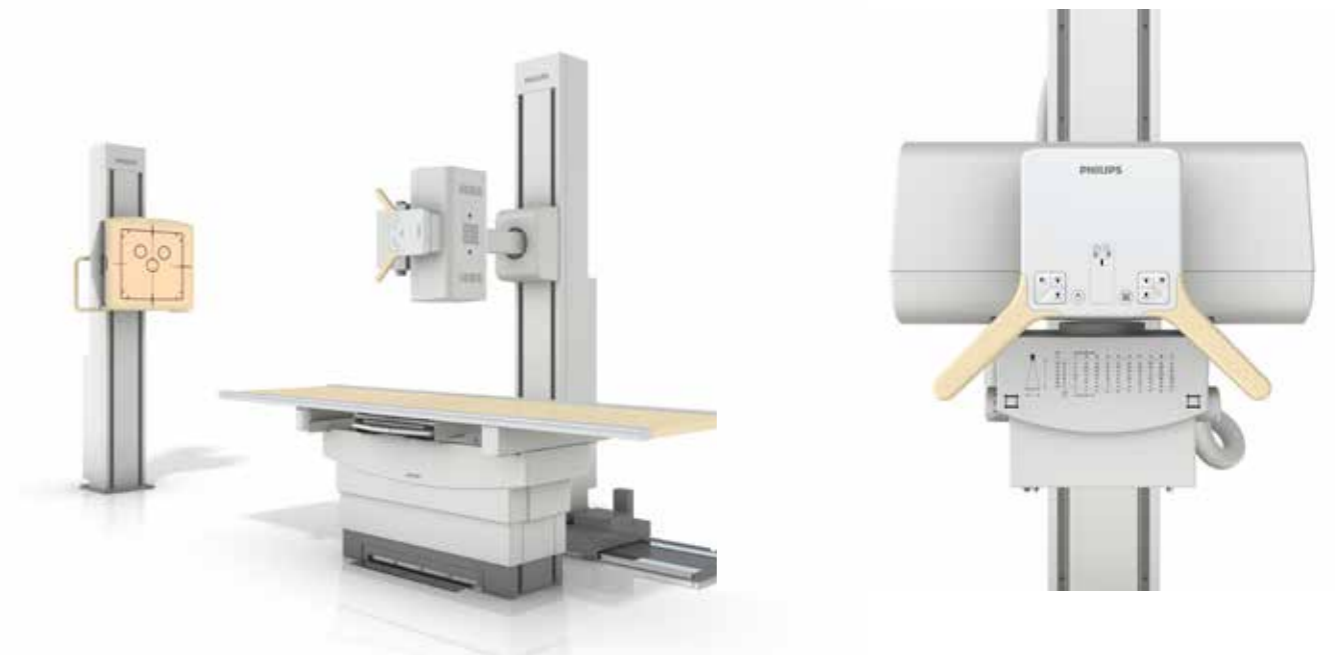
The X-ray tube and detector can be coupled for most straight projections and decoupled for oblique projections.

Comfort Align (For Efficiency rooms, Value rooms and Chest room)

Comfort Align facilitates laser-assisted alignment between X-ray tube and detectors.

SmartOne button (For Efficiency rooms, Value rooms and Chest room)

This intuitive button allows users to easily execute geometry movements with just one finger.



Wireless and Fixed flat detectors

DuraDiagnost offers fixed and wireless portable flat detectors depending upon the room configuration you select.

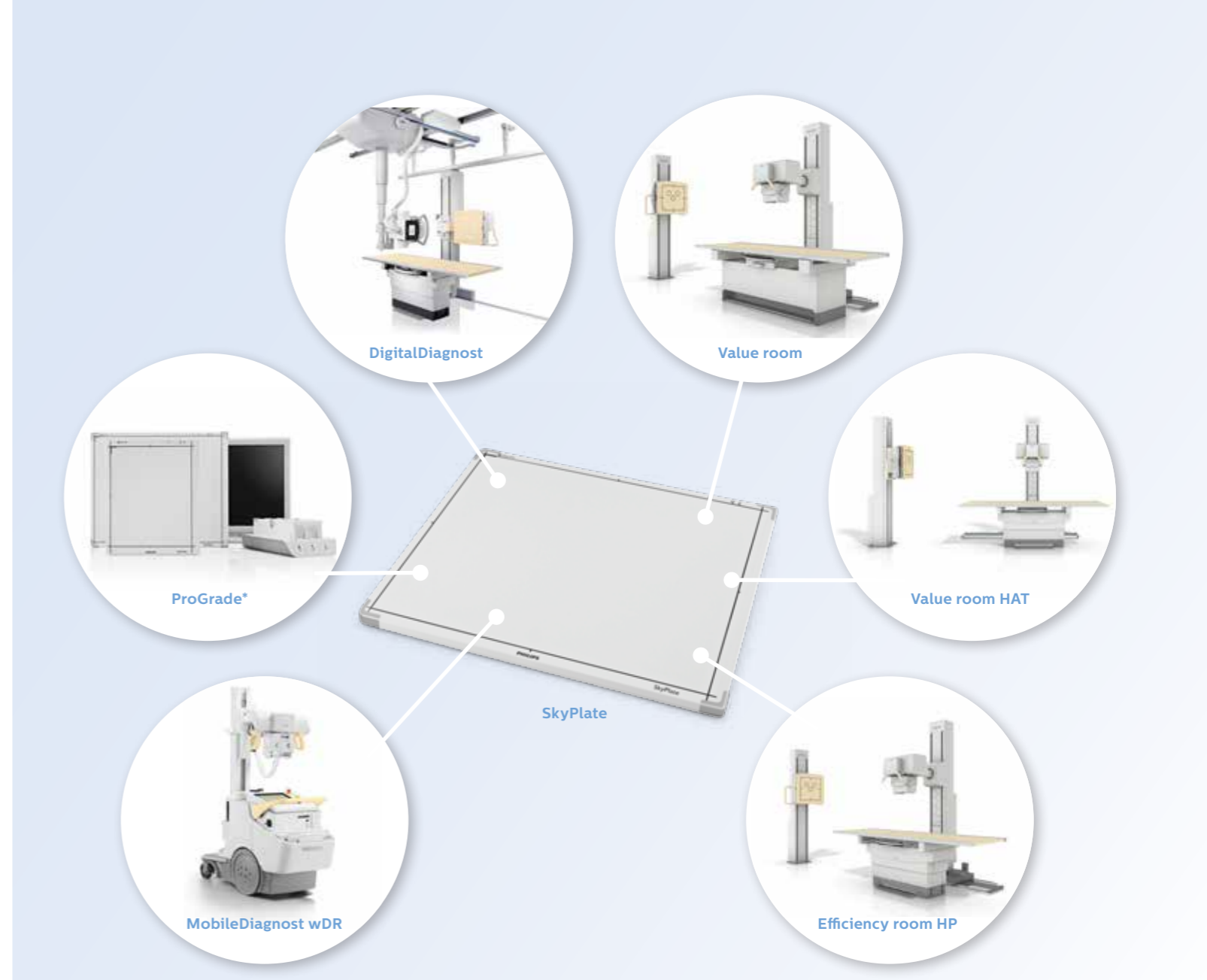
Key Advantages

- Designed for a long life of reliable performance
- Light and easy to handle for diverse procedure types
- Philips quality imaging for diagnostic confidence

Designed for rigorous use

Both flat detectors can withstand levels of shock and vibration and are stable at a range of temperatures and humidity, offering you solid reliability. The detectors are designed to provide long-lasting performance year after year.

SkyPlate 14" x 17" cassette-sized wireless portable detector gives you untethered access to a wide variety of patient positions. The detector's lightweight design (only 2.8 kg / 6.2 lbs including battery, except North America and China: 3.0 kg / 6.6 lbs) makes it less cumbersome for technologists in their daily work. The 17" x 17" fixed detector can easily cover your area of interest, providing confidence in the diagnostic process.



Fixed flat detector and SkyPlate wireless portable detector

Detector	Fixed detector		SkyPlate wireless portable detector	
Scintillator	Gd ² O ² S		Cesium Iodide (CsI)	
Detector size	43 cm X 43 cm (17" X 17")		35 cm X 43 cm (14" X 17")	
Image matrix size	2874 X 2869 pixel		2330 X 2846 pixel	
Pixel size	148 μm		148 μm	
A/D conversion	16 bits		16 bits	
Active area	42 cm X 42 cm (approx. 16.5" X 16.5")		34.48 cm X 42.12 cm (approx. 13.6" X 16.6")	
Detector pixels	8.2 Megapixel		6.6 Megapixel	
Image resolution	Up to 3.4 Lp/mm		Up to 3.38 Lp/mm	
DQE and MTF values at 1 μGy	DQE (%)	MTF (%)	DQE (%)	MTF (%)
0.05 Lp/mm	37	98.5	66	98.5
1.0 Lp/mm	25	54	50	61
2.0 Lp/mm	13	20	40	30
3.0 Lp/mm	4	7	24	15

Sharing freedom

A variety of SkyPlate sharing combination allows you to efficiently utilize your budget and customize the implementation of your detectors. You can quickly share the SkyPlates among the latest system releases of DuraDiagnost rooms, DigitalDiagnost rooms, MobileDiagnost wDR units, and the analog to digital upgrade ProGrade. There are plenty of sharing options available which can enhance detector, system and room utilization.

Key Advantages

- Lower initial investment while providing a high level of flexibility
- Back-up solution to provide constant uptime
- Smart starting point for expansion, i.e. adding more SkyPlates to your department in the future

Dependable Philips DR imaging chain

DuraDiagnost shares the same generator and Philips tube configuration found on Philips premium DR systems. This dependable digital imaging chain delivers high-quality, virtually distortion-free images time after time.



Powerful X-ray tube

Our X-ray tubes allow excellent performance over a long lifetime with faster cooling than a conventional tube, designed for uninterrupted operation and low lifecycle costs.

Versatile generator

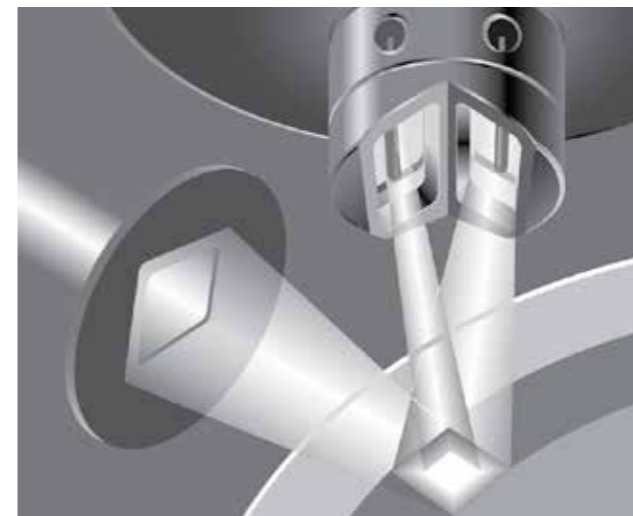
DuraDiagnost offers a wide application range from bariatric to pediatric thanks to flexible generator options (50kW, and optional 65kW/80kW). The generator control console is integrated in the Eleva user interface to streamline workflow.

Anatomical Programmed Radiography (APR) settings make it possible to X-ray patients according to

application, thereby eliminating wrong or missing filters. With automatic exposure control (AEC) the exposure time is set according to exposure voltage and object characteristics in order to automatically obtain the correct exposure.

By choosing the VarioFocus option you'll benefit from a generator feature that uses both the small and large tube filaments simultaneously. In this way you are always using an object-optimized focal spot and optimum geometric resolution. This may result in longer tube life.

The Philips DR imaging chain enhances quality in clinical care.



Key Advantages

- X-ray tube designed for extended, uninterrupted performance
- Generator control integrated into Eleva user interface
- Consistent, high-quality, virtually distortion-free images, time after time

Intuitive Eleva user interface

DuraDiagnost is managed by our Eleva user interface, which provides all the tools and controls necessary for seamless procedures.

This one common platform is easy to learn and use, and is highly suitable for streamlining your radiography department. It is the same harmonized user interface found across our premium DR systems.

Seamless integration

With the Eleva workspot, it takes three easy steps to get an image after exposure. All images and information are integrated into hospital networks such as RIS/PACS and archiving systems through DICOM.

Eleva uses the information from the radiology images system (RIS) to automatically set the right pre-adjustments for image processing, printing, and export to PACS or printer.

Simplified exposure control

All generator functionality is fully integrated into the Eleva workspot. You can easily adapt exposure parameters by choosing from our pre-programmed settings and applying them right from the workspot.



Key Advantages

- Common platform and intuitive user interface
- Easy to learn and use
- Used across a wide range of our radiography imaging modalities

Consistent, quality images with UNIQUE

UNIQUE image processing algorithms are the same as those found in our premium X-ray systems. UNIQUE delivers consistently uniform clinical image quality for all anatomical areas by adjusting the balance between overexposed and underexposed areas.

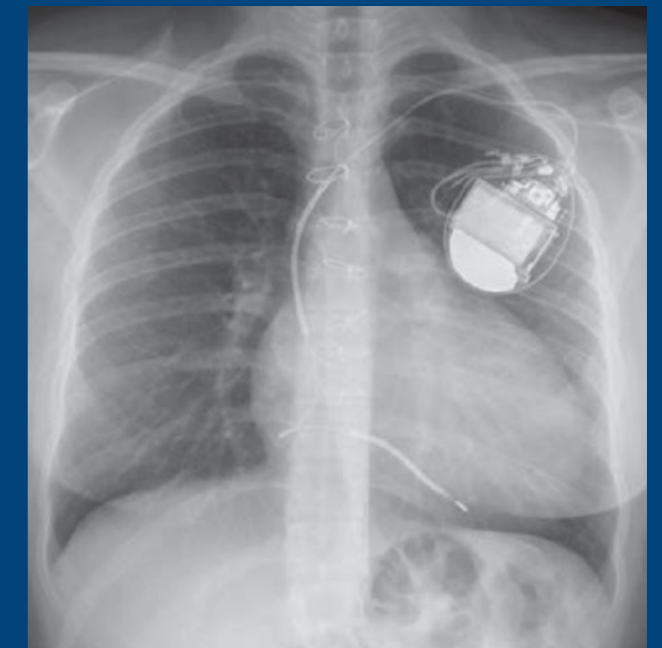
Image quality is enhanced while at the same time preserving natural appearances. And the image display can be customized to your radiologist's individual preferences.

Key Advantages

- Harmonizes contrast
- Enhances weak details and attains detail in all areas
- Achieves consistently high image quality



Standard processing



Phillips UNIQUE image processing

Superb clinical images for **confident diagnoses**



Key Advantages

- Fast, easy to acquire
- Superb detail for confident diagnoses
- Consistent, reproducible quality

DuraDiagnost's innovative combination of image acquisition, procedure management, and post-processing, provide you with image excellence and clinical experience. The superb detail present in every image is a result of thoughtful system design, with each element working in unison.

- **Cutting-edge digital detector** – for high quality image acquisition
- **VarioFocus generator option** – for superb image resolution by use of both the small and large tube filaments
- **Eleva user interface** – for easy adaption of exposure parameters and simple, repeatable workflow
- **UNIQUE image processing** – for automated contrast harmonization resulting in enhanced detail

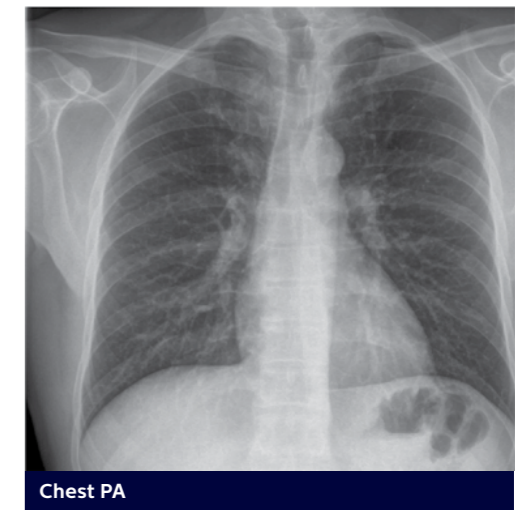
Reliable, consistent performance is the trademark of the DuraDiagnost.



Wrist AP



L-Spine LAT



Chest PA

Always there, always on

We work as one with your teams to keep your systems running smoothly, seven days a week, if needed.¹

- Your service needs don't conform to convenient working hours – our service teams match ability with availability
- You need parts in a hurry – call whenever needed for technical parts expertise across all Philips modalities, and next day delivery
- Waiting for on site service effects your productivity and patients – our remote service and security experts provide over your shoulder protection and advanced fault diagnosis to pro-actively fix your systems seven days a week¹

¹ Requires minimum Right Fit contract. Conditions apply. Offerings are available in selected countries and for selected products only.

“ The level of care coming from the whole Philips team – sales, engineering, servicing – is excellent. We have entered into a partnership that we can trust. I can't speak highly enough of the team”

David Ripper, Clinical Service Manager,
Chesterfield Royal Hospital, Chesterfield, UK.







PHILIPS

DuraDiagnost

Specifications

Quality imaging, practical investment

Philips DuraDiagnost – specifications (Release 4)

Table of contents

1.	Overview of room configurations	3
2.	Rooms	4
2.1	Efficiency room	4
2.2	Value room	6
2.3	Chest room	8
2.4	Optional hardware and software	10
3.	Image quality	11
3.1	Flat Detector	11
3.2	UNIQUE multi-resolution image processing	11
4.	Digital workflow	12
4.1	Eleva Workspot	12
4.2	DICOM (optional)	13
4.3	Clinical Quality Control (optional)	13
4.4	mShield (optional)	13
5.	X-ray generation	14
5.1	Generator	14
5.2	X-ray tubes	14
5.3	Collimator	15
5.4	Automatic Exposure Control (AEC)	15
5.5	Variofocus (optional)	15
6.	X-ray tube floor stand	16
6.1	X-ray tube floor stand	16
6.2	SmartOne button	16
6.3	Default SID	16
7.	Table	18
7.1	Radiographic table	18
8.	Vertical stand	20
8.1	Vertical stand with detector unit	20
8.2	Comfort Align	20
9.	Service	22

Conformity

The DuraDiagnost X-ray system by Philips Healthcare complies with the provisions of the Medical Device Directive 93/42 EEC (CE label) and satisfies the IEC standards.

Ambient conditions

Temperature

Operation	+18°C to +30°C (+64°F to + 86°F)
Storage	-10°C to +55°C (+14°F to +131°F)

Rel. humidity

Operation	30% to 75%
Storage	10% to 95%

Air pressure	700 hPa to 1060 hPa (10 psi to 15 psi)
--------------	-------------------------------------------

Altitude	3000 m (9843')
----------	----------------

1. Overview of room configurations

The DuraDiagnost family is a flexible range of digital radiography (DR) systems that provides fast and smooth examinations for your patients. Whether you choose a single or dual detector table-based design, each room solution supports outstanding workflow efficiency, premium DR imaging, and confident diagnostic decision-making.



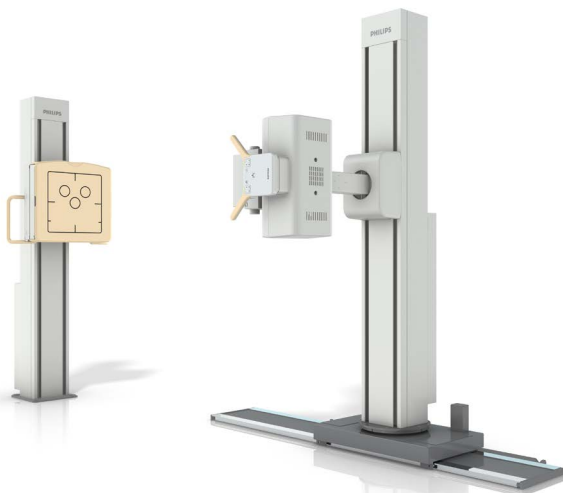
Efficiency room

With two fixed detectors or one fixed detector/one SkyPlate wireless portable detector, vertical stand, X-ray tube floor stand, and height adjustable table to provide an efficient workflow



Value room

With a single SkyPlate wireless portable detector, X-ray tube floor stand, and height adjustable table to enhance clinical flexibility and ROI



Chest room

With single fixed detector, vertical stand and X-ray tube floor stand to provide fast chest exams

2. Rooms

The Philips DuraDiagnost Efficiency room provides an efficient workflow for healthcare providers. It offers the opportunity for enhanced patient care, ergonomic procedures and a good return on investment.

Every DuraDiagnost Efficiency room comes fully outfitted with two detectors, vertical stand, X-ray tube floor stand, and table. The distinction is found in the detector combinations.



Knee AP
Perform knee AP examinations comfortably with the height adjustable table

2.1 Efficiency room

Efficiency room	Height adjustable table and two fixed detectors
Efficiency room High Performance	Height adjustable table, one fixed and one SkyPlate wireless portable detector

Main Components

Hardware

Option 1: Efficiency room

- Dual fixed digital detector
- Height adjustable table
- Vertical stand

Option 2: Efficiency room HP

- One fixed detector and one SkyPlate wireless portable detector
- Height adjustable table
- Vertical stand

Floor-mounted tube column with X-ray tube assembly

Generator and X-ray tube pack (50 kW and RO1750)

Optional 65 kW/80 kW

Eleva workspot with 19" LCD touch screen

Software

Eleva application and examination database software

Integrated generator control

UNIQUE image processing

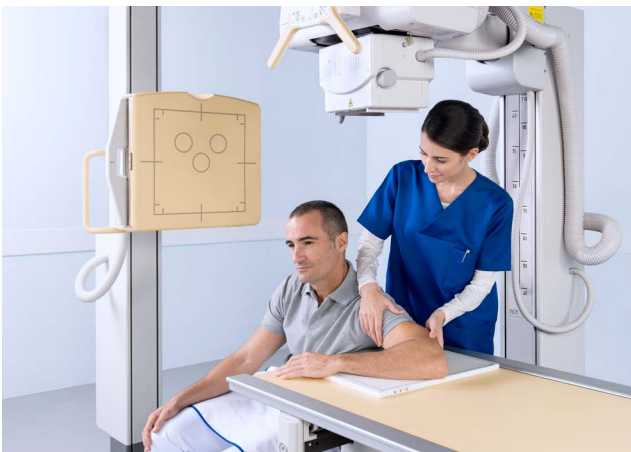
Philips DuraDiagnost Value room is designed for a cost-effective, performance-oriented entry into digital radiography. Its ease of ownership and exam versatility make it a sensible choice.

The DuraDiagnost Value room consists of a single SkyPlate wireless portable detector, X-ray tube floor stand, and height adjustable table.



Chest PA Standing

Detector inserted into the detector carrier of the vertical stand



Elbow lateral

Convenient and easy patient positioning with a height adjustable table and lightweight SkyPlate portable detector

2.2 Value room

Value room	Height adjustable table and one SkyPlate wireless portable detector
------------	---------------------------------------------------------------------

Main components

Hardware

Height adjustable table and vertical stand with one SkyPlate wireless portable detector

Floor-mounted tube column with X-ray tube assembly

Generator and X-ray tube pack (50 kW and RO1750)

Optional 65 kW/80 kW

Eleva workspot with 19" LCD touchscreen

Software

Eleva application and examination database software

Integrated generator control

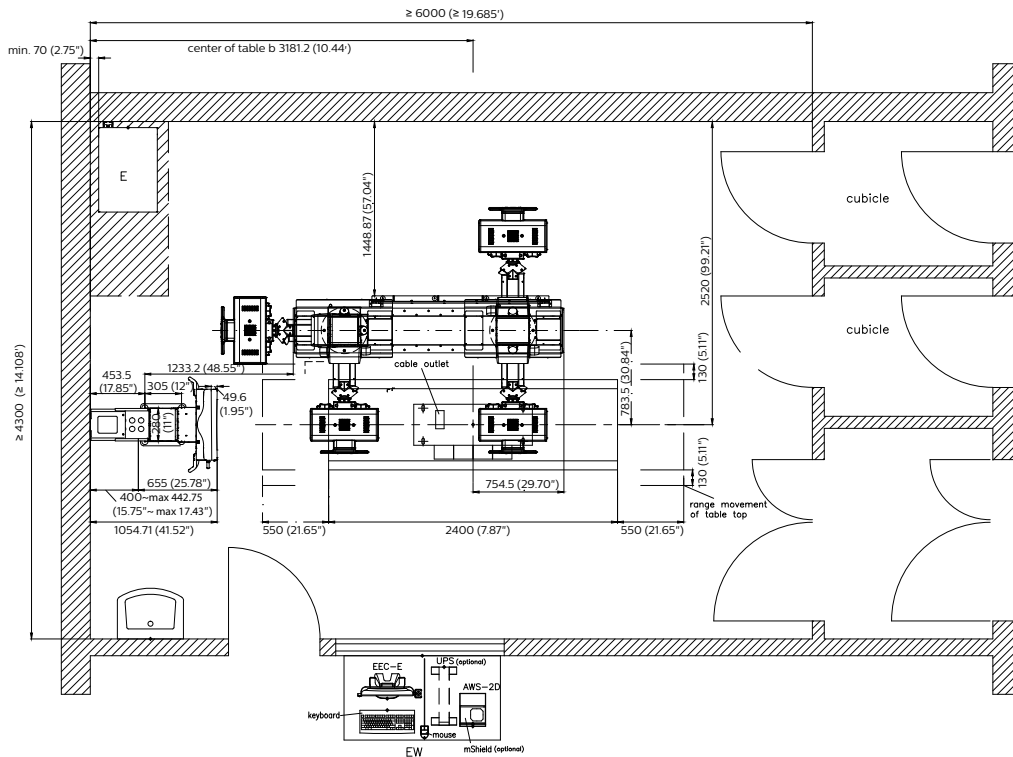
UNIQUE image processing



Application flexibility with cassette sized SkyPlate wireless portable detector

Dimensions

All dimensions in mm



The Philips DuraDiagnost Chest room simplifies dedicated chest and other vertical exams. It increases patient comfort and provides fast patient positioning, while ensuring Philips standards in DR technology. This dedicated room includes a single fixed detector, vertical stand, and X-ray tube floor stand.

2.3 Chest room

Main components

Hardware

Vertical stand with digital flat detector

Floor mounted tube column with X-ray tube assembly

Generator and X-ray tube pack (50 kW and RO1750)

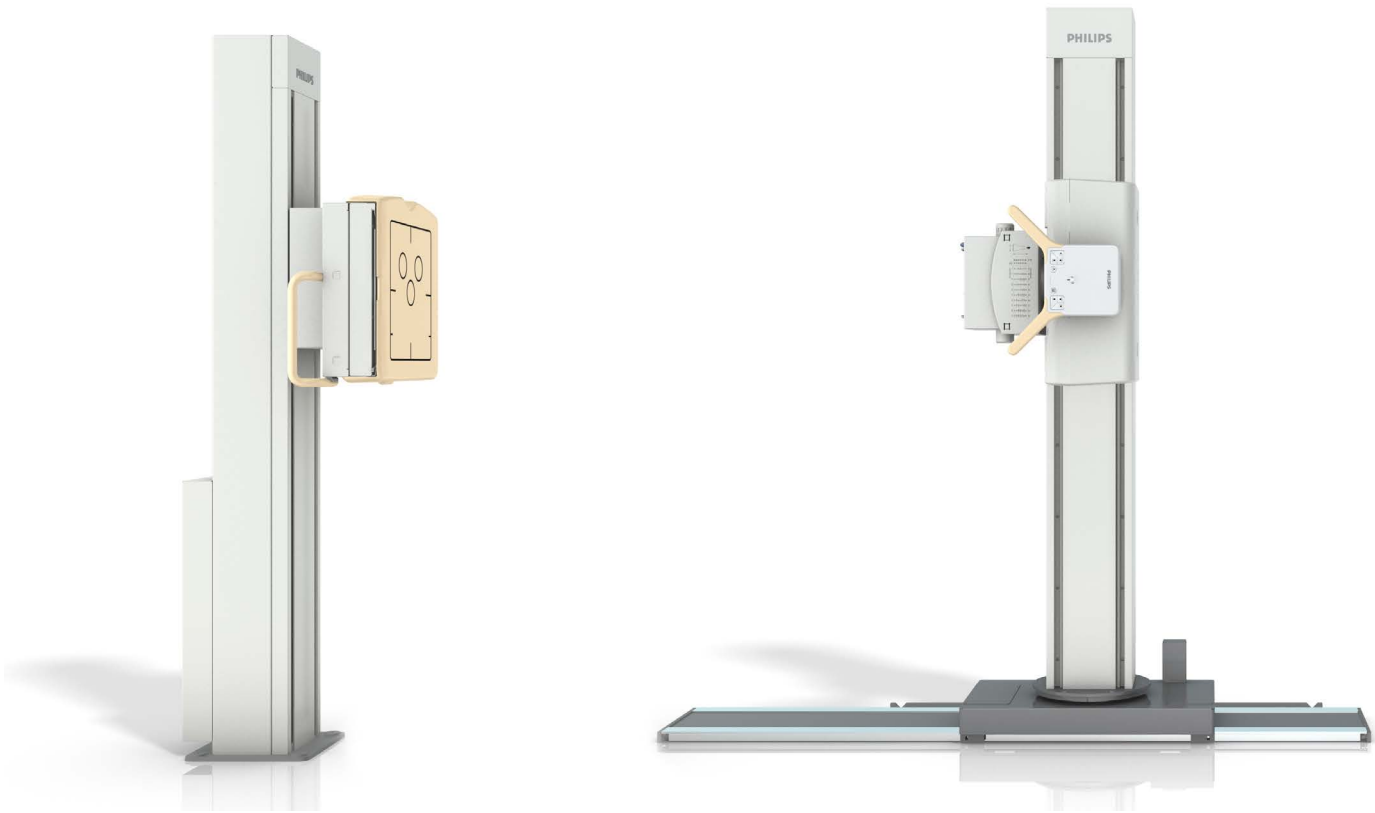
Optional: 65 kW/80 kW

Eleva workspot with 19" LCD touchscreen

Software

Eleva application and examination database software

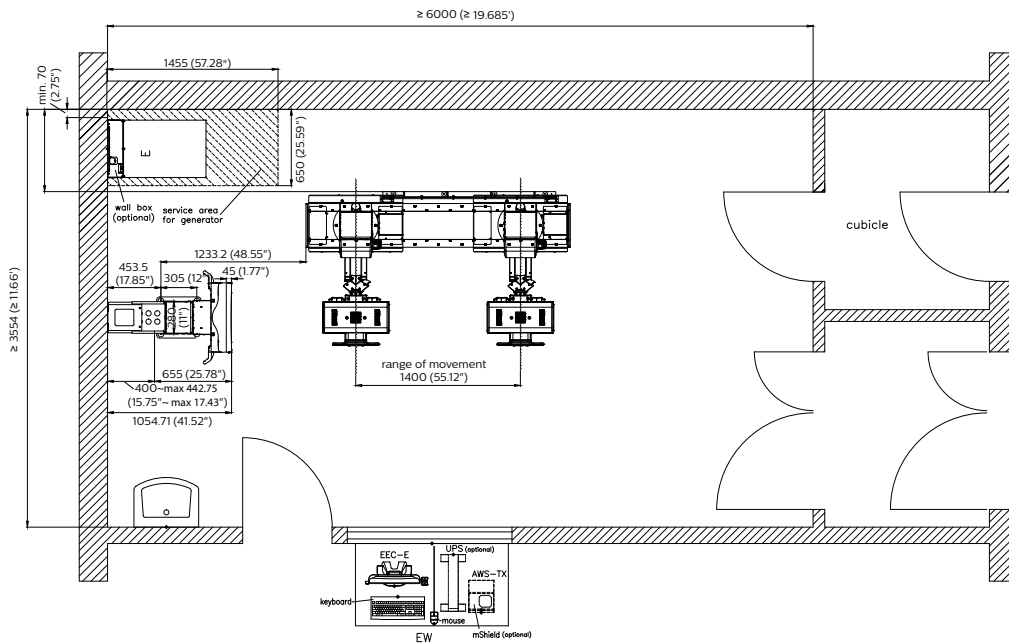
UNIQUE image processing



Dedicated operation: ideal for quick chest exam environment

Dimensions

All dimensions in mm



Room layout – top view Chest room

Hardware and software options are universal for all DuraDiagnost room configurations.

2.4 Optional hardware and software

Optional

Hardware

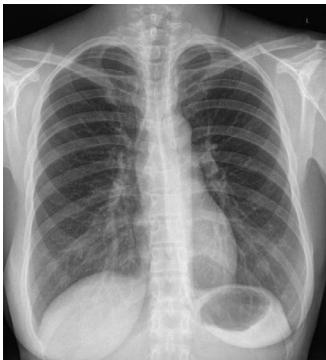
- SRO33100 tube with 65/80 kW generator
- Dose Area Product (DAP) package
- Uninterruptable Power Supply (UPS)

Software

- DICOM communication package
- mShield dedicated firewall protection
- Clinical Quality Control (QC)
- DICOM Media
- PCR integration
- PCR stitching



3. Image quality



Chest PA



Shoulder AP



Hip, patient standing

DuraDiagnost features Philips UNIQUE image processing software, which delivers consistent, quality images for all anatomical areas. It automates the contrasting process and quickly provides the kind of harmony and clarity normally achieved with manual input.

Our robust flat detectors can withstand shocks and vibrations and are stable at a range of temperatures and humidity. The 17" x 17" fixed digital detector supports large size diagnostic images. The 14" x 17" SkyPlate wireless portable detector gives you untethered access to a wide variety of patient positions.

3.1 Flat Detector

Detector	Fixed detector	SkyPlate wireless portable detector
Scintillator	Gd ² O ² S	Cesium Iodide (CsI)
Detector size	43 cm x 43 cm (17" x 17")	35 cm x 43 cm (14" x 17")
Image matrix size	2874 x 2869 pixel	2330 x 2846 pixel
Pixel size	148 µm	148 µm
A/D conversion	16 bits	16 bits
Temperature – functional detector panel	10 C – 40 C	10 C – 35 C
Humidity	20% - 85%	20% - 80%
Pressure	700mbar – 1060mbar	700mbar – 1100mbar
Vibration	≤ 0.3g	≤ 0.3g

3.2 UNIQUE multi-resolution image processing

DuraDiagnost, supported by UNIQUE:

- Maximizes the capabilities of the flat detector
- Detects the appropriate region of interest
- Assures anatomy specific image processing

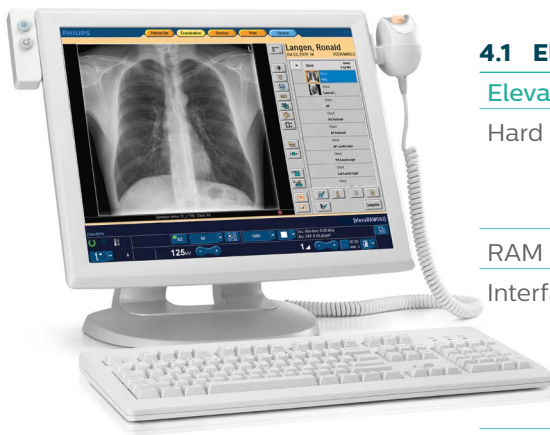
UNIQUE is excellent for both viewing on the monitor and for printing. Image quality is enhanced while simultaneously preserving the images' natural appearance. In addition, the parameters can be adapted to suit user preferences.

UNIQUE at a glance

- Harmonizes contrast
- Enhances weak details and attains detail accuracy in all areas
- Achieves consistently high image quality

4. Digital workflow

A digital (filmless) workflow is more convenient and faster when compared to an analog radiography process. With smooth-running procedures, you will be able to spend more time with your patients. The Eleva user interface uses the information from the radiology images system (RIS) to automatically set the right pre-adjustments for image processing (including the special UNIQUE setting for occupational disease examination), printing and export to PACS or printer. All generator functionality is fully integrated into the Eleva workspace, saving you space and time.



In the control room, the intuitive Eleva user interface with integrated generator control requires less space and enhances workflow efficiency.

4.1 Eleva Workspot

Eleva Workspot

Hard disk	<ul style="list-style-type: none">• 500 Gb total• 203 Gb for the image data (equivalent to approximately 11,548 images)
RAM storage capacity	4 Gb
Interfaces	<ul style="list-style-type: none">• Ethernet 10/100/1000 Base-T Gigabit• DICOM interface• Detector interface• Memory stick support for QC
CD writer	DVD/CD writer
Monitor	19" LCD color touch screen monitor
Keyboard with mouse and function buttons	For entering administrative patient data and for operating the screen menus
Image data	
Data volume	Up to 18 Mb/image
Matrix depth	15 bit/pixel
Power supply	
Mains voltage	115 V / 230 V (+10%, -15%)
Mains frequency	50 Hz / 60 Hz
Current input	max. 4 A
Fuse	10 A

4.2 DICOM (optional)

DuraDiagnost is DICOM compatible. This means that you can benefit from all relevant DICOM services offered via this common medical data transfer standard. Storing, retrieving, printing and other features will improve your workflow.

You can choose between the complete DICOM package, which includes:

- DICOM WLM and Classic RIS (Work List Management)
- DICOM MPPS (Modality Performed Procedure Step)
- DICOM Print
- DICOM Image Export, which includes the services DICOM Store and Storage Commit

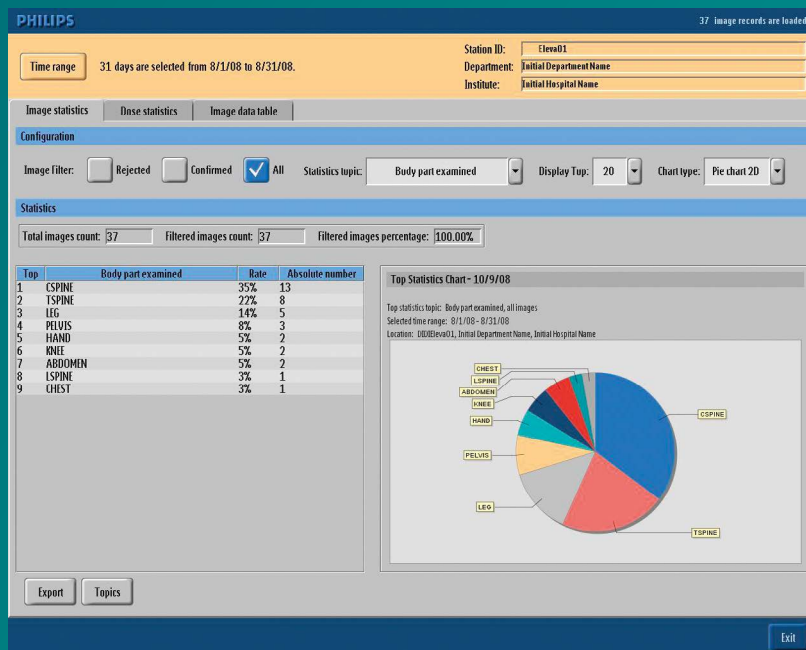
Or you can choose each DICOM function individually.

4.3 Clinical Quality Control (optional)

This convenient statistical tool for images enables users to analyze all images according to, for example, number of images per examination type or number and reasons for rejections. It can also be used to monitor and analyze general imaging parameters. The data files can be downloaded for further use or archived on a standard PC. It is a great tool for providing advice on quality standards in the department and for training situations.

4.4 mShield (optional)

Philips mShield is part of an overall strategy to safeguard the integrity of data on medical information systems. It protects Philips modalities from malicious cyber attacks.



Clinical QC image statistic tool

5. X-ray generation

The Philips dual-focus rotating anode X-ray tubes provide excellent performance over a long lifetime. The range of Philips generators features a modern architecture based on a modular design. It uses high performance components which can be combined into customer specific solutions. The generator control console is integrated in the Eleva user interface to streamline workflow. It also enables dose reporting. It shares the same generator and tube with Philips premium DR.

5.1 Generator

Generator	50 kW	65 kW	80 kW
High-voltage generator	The converter generator generates high voltage equivalent to DC voltage		
Mains voltage	400 V / 480 V ($\pm 10\%$); 50 Hz or 60 Hz, 3-phase		
Max. mains resistance at 400 V	0.3 Ohm	0.2 Ohm	0.2 Ohm
Max. mains current at 400 V	112 A	134 A	160 A
Nominal power (IEC)	50 kW	65 kW	80 kW
Max. tube voltage	150 kV	150 kV	150 kV
Max. tube current (at 70 kV)	630 mA	928 mA	1000 mA
Max. tube current (at 100 kV)	500 mA	650 mA	800 mA
X-ray tube	RO1750	SRO33100	SRO33100
mAs product (with AEC control)	0.4 mAs to 850 mAs	0.4 mAs to 850 mAs	0.4 mAs to 850 mAs
Exposure times	1 ms to 4 s		
Safety	Tube overload protection Automatic mains voltage compensation		



RO 1750

5.2 X-ray tubes

Tube	RO 1750	SRO 33100
Focal spot	0.6 / 1.2	0.6 / 1.2
Ratings	17 kW / 50 kW	33 kW / 100 kW
Anode angle	13°	13°
Anode heat storage capacity	220 kJ (300 kHU)	220 kJ (300 kHU)
Maximum voltage	150 kV	150 kV
Tube overload protection	√	√



SRO 33100

5.3 Collimator

Collimator	
Type	Manual, with light field indicator
Angle of aperture and rotation	$\pm 45^\circ$
Timer switch	30 s
Inherent filter value	<0.3 mm Al at 100 kV, depending on the collimator
Added filters	2 mm Al or 1 mm Al + 0.1 mm Cu or 1 mm Al + 0.2 mm Cu or None

5.4 Automatic Exposure Control (AEC)

Sets the exposure time according to exposure voltage and object characteristics in order to automatically obtain the correct exposure.



Variofocus creates a number of tailored focal spot sizes

5.5 Variofocus (optional)

The Variofocus technology is made possible by our X-ray generator. This technology creates a number of tailored focal spot sizes which are assigned to APR programs and range from the small to the large focal spot points of an X-ray tube. In this way you are always using an object-optimized focal spot and optimum geometric resolution. In addition, tube filaments are preserved through power balancing on both focus spots and reduced power load on each of them, which may result in longer tube life.

6. X-ray tube floor stand

Easily move the floor-mounted X-ray tube stand along its rails to support different applications. It can be rotated a full 180 degrees to image patients on a trolley, handle difficult projection angles, and enhance patient comfort.

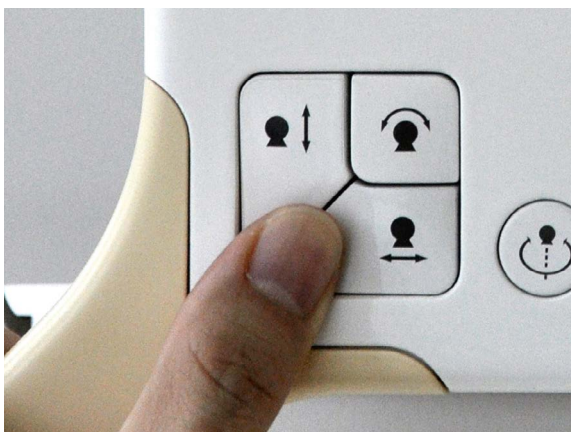
6.1 X-ray tube floor stand (for Efficiency room and Chest room)

Column

Height	233.25 cm (91.83")
Room height	min. 270 cm (106.30")
Vertical lift maximum	150 cm (59")
Central beam minimum upper floor	35 cm (13.78")
Central beam maximum upper floor	185 cm (72.835")
Rotation of tube around vertical axis	-180° to +90°
X-ray tube rotation	+/- 120°
Source-image distance	Max. 110 cm (43.31") for table and Max. 250 cm (98.42") for wall stand
Weight	net weight: 405 kg (891lbs)
Column with tube assembly and collimator	net weight: 405 kg (891 lbs)

6.2 SmartOne button

The "SmartOne" buttons enable the user to easily execute all geometry movements with one finger.



SmartOne button

6.3 Default SID

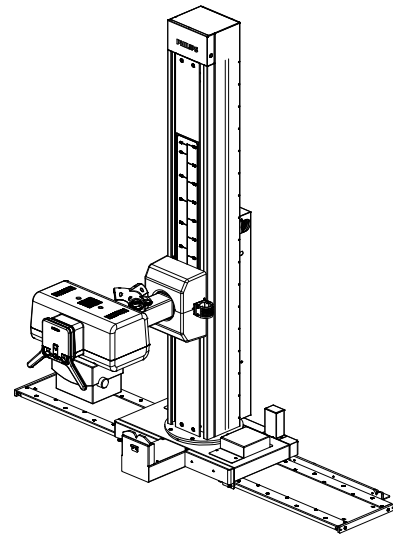
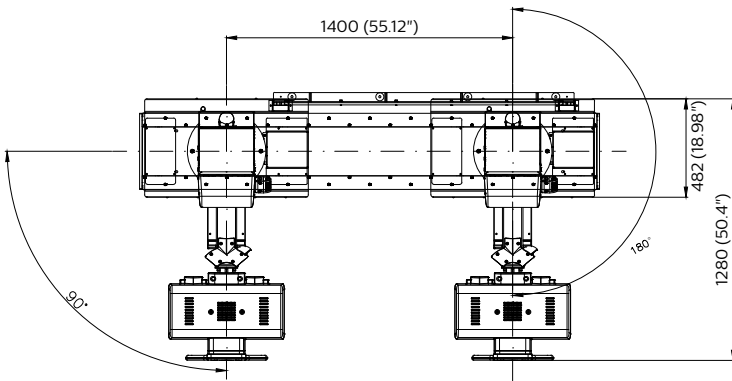
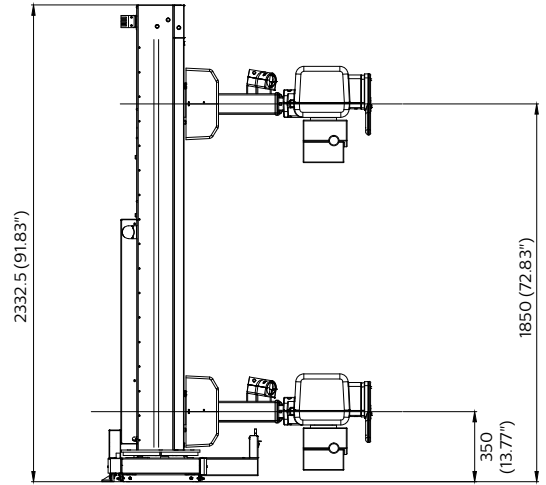
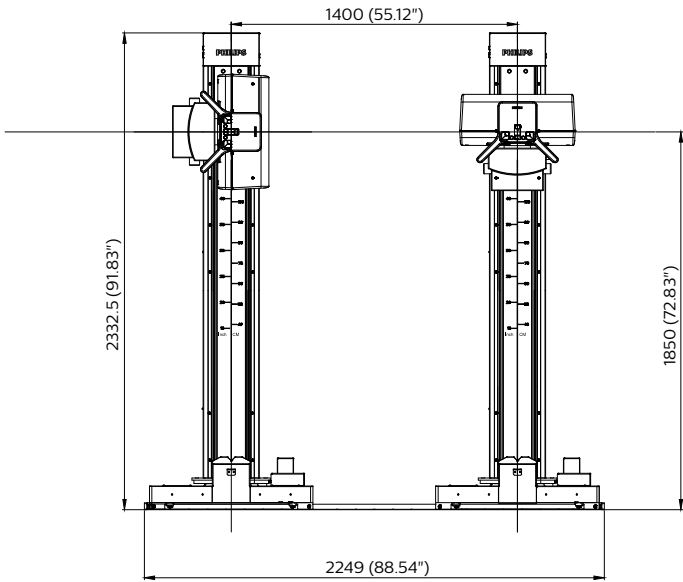
The Default SID (110 cm, 180 cm) facilitates fast positioning, thereby avoiding difficulties in finding floor distance markers.



Default SID

Dimensions

All dimensions in mm



7. Table

With a simple light touch, the free floating tabletop supports easy positioning of all patient types from pediatrics to bariatrics.

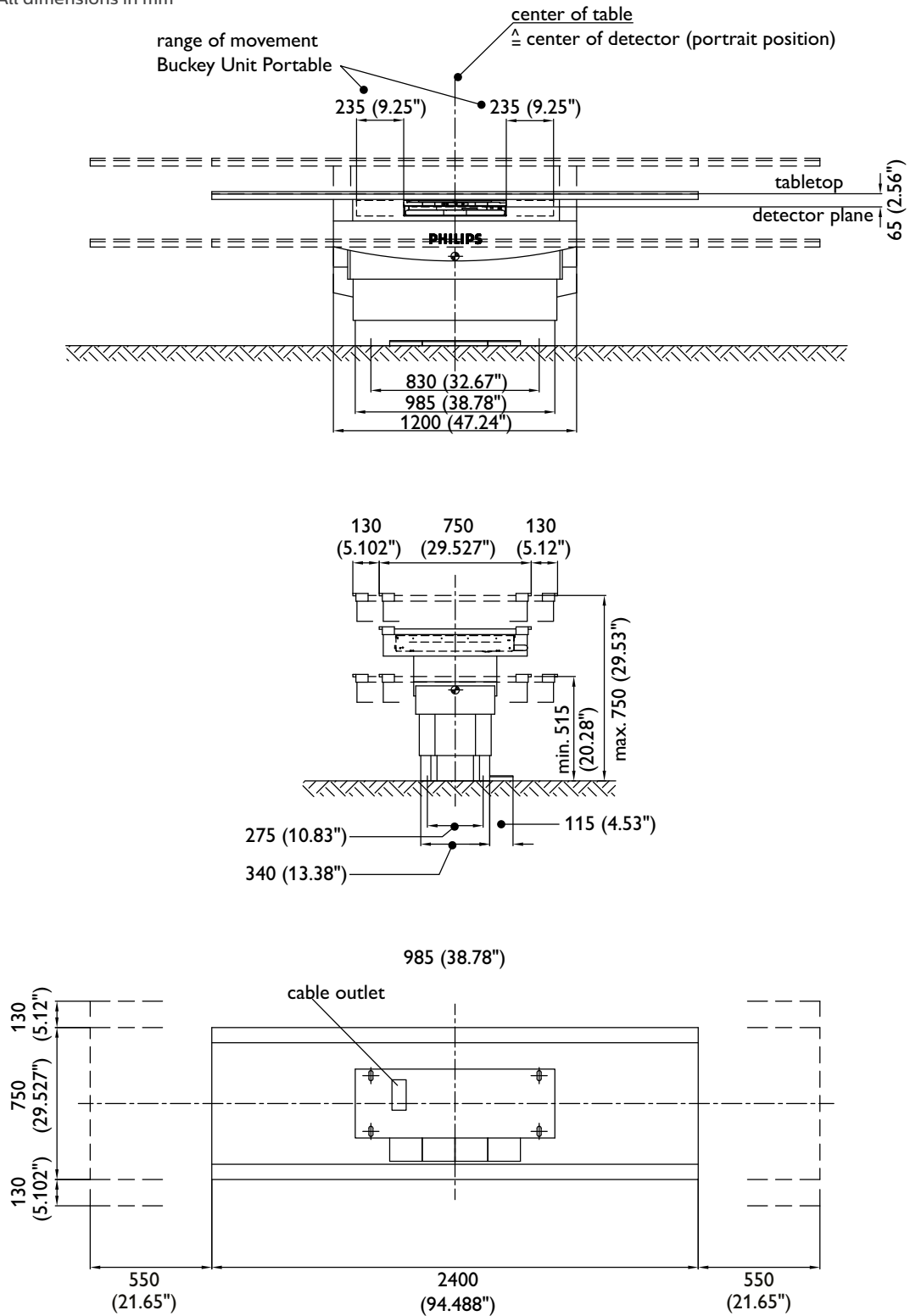
7.1 Radiographic table

Efficiency room and Efficiency room HP	
Type	Radiographic table with floating tabletop, stationary grid and three measuring chambers.
Table height adjustment	51.5 cm to 75 cm (20.28" to 29.53")
Tabletop dimensions	240 cm x 75 cm (94.49" x 29.53")
Radiation absorption	≤1.2 mm (0.047") Al equivalent at 100 kV
Tabletop travel	Longitudinal: ± 60 cm (± 23.6") Transverse: ± 13 cm (± 5.1"), electromagnetic brakes
Patient weight	
Static load center	375 kg (820 lbs)
Dynamic load center	318 kg (700 lbs)
Dynamic load off center	210 kg (460 lbs)
Grid in bucky	Fixed detector: 40 line/cm, 12:1, F: 110 cm (43.31") Wireless portable detector: 44 line/cm, 8:1, F: 110 cm (43.31")
Detector unit movements in longitudinal table direction	47 cm (18.50")
Value room	
Type	Radiographic table with floating tabletop, stationary grid and three measuring chambers.
Table height adjustment	51.5 cm to 75 cm (20.27" to 29.53")
Tabletop dimensions	240 cm x 75 cm (94.49" x 29.53")
Radiation absorption	≤1.2 mm (0.047") Al equivalent at 100 kV
Tabletop travel	Longitudinal: ± 60 cm (± 23.6") Transverse: ± 13 cm (± 5.1"), electromagnetic brakes
Patient weight	
Static load center	375 kg (820 lbs)
Dynamic load center	318 kg (700 lbs)
Dynamic load off center	210 kg (460 lbs)
Grid in bucky	44 line/cm, 8:1, F: 110 cm (43.31")
Detector unit movements in longitudinal table direction	47 cm (18.5")

Height adjustable table

Dimensions

All dimensions in mm



8. Vertical stand

A wide range of vertical movement supports examinations for patients of varying height. The Comfort Align feature indicates the correct alignment between the detector and tube, saving technologists time walking back and forth to the patient.

8.1 Vertical stand with detector unit

Grid and three measuring chambers only for Efficiency room and Chest room

Height	218.75 cm (86.12")
Vertical movement	35 cm to 185 cm (13.78" to 72.84")
Fixed grid – removable	Standard grid: 40/8/140 cm (15.75"/3.15"/55.12") Option 1: Grid 40/12/180 cm (15.75"/4.73"/70.87") Option 2: Grid 40/12/140 cm (15.75"/4.73"/55.12") Option 3: Grid 40/12/110 cm (15.75"/4.73"/43.31") Option 4: Grid 40/8/110 cm (15.75"/3.15"/43.31") Option 5: Grid portrait for SkyPlate Option 6: Grid landscape for SkyPlate
Object-to-detector distance	4.5 cm (1.77")

Grid and three measuring chambers for Value room

Vertical movement	35 cm to 185 cm (13.78" to 72.84")
Grid ratio	Standard grid: 44 line/cm, 8:1, F: 140 cm (55.12")
Object-to-detector distance	4.5 cm (1.77")

8.2 Comfort Align

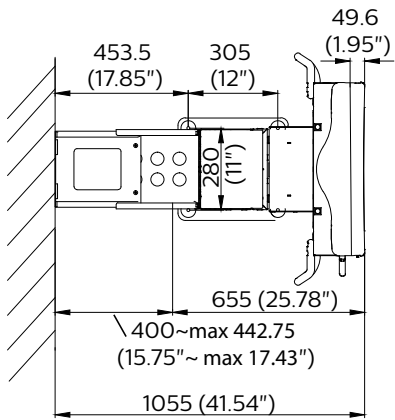
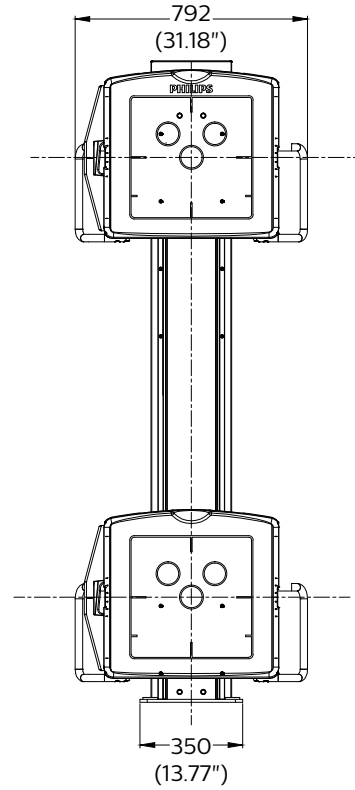
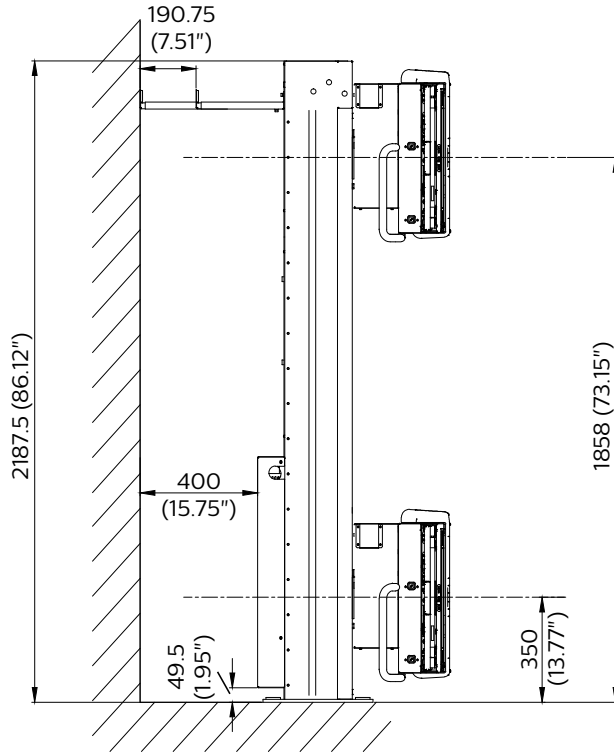
The Comfort Align feature facilitates laser assisted alignment between X-ray tube and detectors.



Comfort Align

Dimensions

All dimensions in mm



9. Service

With a strong global presence, Philips provides exemplary service and support regardless of your location. Whether you want to reduce your operational risk and equipment downtime, leverage your in-house service capabilities, or use your system more effectively, you can choose the level of support that is right for your facility.

The comprehensive resources and training we offer, allow you to focus on what's most important - your patients. Philips provides a full lifecycle service solution designed around your patients, your people, and your organization. We help you succeed in every phase of system ownership, from planning to start-up, through peak usage and renewal.





Remote service (optional)*

As part of our commitment to you, we have built a global platform for system communication that certifies all data is handled via encrypted transmission technology. We make sure your sensitive data is professionally managed. Remote services are just one part of the optimized service delivery we provide to you. Anytime. Anywhere.

Planning

Understand how and when the right equipment and services contribute to better patient care and better economics.

Start-up

Make the most of your system as quickly as possible.

Peak usage

Extract maximum utility out of your system day to day.

First-rate care

Philips global service network, our highly qualified engineers, the individual attention of our service technicians and the internal availability of spare parts, combine to provide our seamless service support.

* The remote service may not be available in all geographies. Please refer to local Philips representative.



NYS OFFICE OF MENTAL HEALTH
SOUTH BEACH PSYCHIATRIC CENTER

A. **Project Overview:**

1. The New Residence Building at South Beach Psychiatric Center located at 777 Seaview Ave. Staten Island, NY 10305 is currently under construction and consists of approximately 230,000 square feet of space spread across 5 floors and consists of in-patient bedrooms, learning spaces, including common areas, living areas, visiting areas, activity areas, group program areas, offices, concessions, break rooms, medical, dental, pharmacy, break rooms and staff break rooms.
2. The facility is located at the north east section of the campus and is connected to the Central Services Building CSB.
3. The Project is being constructed under a Project Labor Agreement (PLA) between the Construction Manager, New York City Building and Construction Trades Council and Signatory Local Unions; the Project's Contractor(s), and its successors and assigns, for certain construction work to be performed as part of the South Beach Psychiatric Center Residential Building Construction Project; New York Building and Construction Trades Council, AFL-CIO, on behalf of itself and its affiliated local union members; and the signatory Local Unions on behalf of themselves and their members.
4. Occupancy is scheduled to occur January 2020.

B. **Site Visit, Conditions and Logistics:**

1. All vendors are responsible for scheduling a site visit to assess logistical delivery issues and site conditions. DASNY shall presume all vendors have visited the project site and verified existing field conditions. All visits must be coordinated with the DASNY's Receiving Consultant, Richard L. Hoffman and Associates. Please contact Ms. Christina Cappetti to make arrangements to visit the site; Tel.: (212) 594-0707; Mobile: (516) 924-0143 or email christina@rlhai.com.
2. Each vendor shall be responsible for assessing all site logistics, including appropriate truck size, loading dock conditions and gate availability, and shall be responsible for providing and fitting equipment in locations, as required. All vendors shall assume full responsibility for all equipment and accessories required to unload furniture and/or equipment at the dock.

DORMITORY AUTHORITY- STATE OF NEW YORK
515 BROADWAY
ALBANY, NY 12207

NYS OFFICE OF MENTAL HEALTH
SOUTH BEACH PSYCHIATRIC CENTER

3. If the site is still under construction at the time of delivery and/or installation, all workers entering the site must wear the required Personal Protective Equipment (PPE) including safety vests, hard hats, work boots, etc., in accordance with OSHA and other authorities having jurisdiction.
4. All loading dock and/or elevator usage must be coordinated with DASNY Consultant, Richard L. Hoffman Associates, a minimum of seven (7) calendar days in advance of deliveries. Delivery dates and times are to be approved by Christina Cappetti, Richard L. Hoffman & Associates, in writing; Tel.: (212) 594-0707; Mobile: (516) 924-0143 or email christina@rhai.com. Deliveries will not be accepted without written approval. Attempts to deliver without appropriate authorization may be rejected at the vendor's expense.

C. Dock and Site Restrictions:

1. See attached floor plan from double doors connecting the new building to the existing Central Services Building (CSB) that includes the loading and path to the service elevator.
 - i. The loading dock is about 500 feet to service elevator and each floor has about a 200-foot push to its furthest point from the service elevator
 - ii. The CSB loading dock can accommodate tractor trailers
 - iii. Refer to Drawing(s) for Loading Dock details.
2. Vendors shall provide flagmen with vests during deliveries to direct pedestrian and vehicular traffic, as required.
3. Dumpsters are not available on-site. Vendors shall be responsible for daily removal of debris off site. All vendors shall be responsible for obeying all site rules and established protocol.
4. Installation work shall include unloading, unpacking and delivering to respective floor locations.

D. Elevator Information:

- Service Elevator
 - a. Cab Interior: 81” Wide x 116” Deep x 96” High
 - b. Doorway: 54” Wide x 84” High
 - c. Capacity: 7,000 LBS

At delivery, the vendor will be provided with scheduled use of the freight elevator for the area(s) where delivery will take place. Use of the freight elevator to be coordinated with Hoffman and SBPC Facility.

1. Vendors are responsible for confirming the dimension of the elevators cabs and doors before delivery.
2. Elevator protection: By vendors.

E. Building Protection:

1. The vendor shall be responsible for the protection of all access and work areas, including, but not limited to walls, doors etc., but not flooring. Flooring protection will be by the vendors. The vendor will be held responsible for the repair or replacement of any damage to the building, grounds, walls, and flooring due to the delivery and installation of the product.
2. All delivery paths (walls, etc.) will be protected and maintained, with paper and masonite. The utilization of steel-wheel dollies is prohibited.
3. Furniture/Equipment Protection: All furniture/equipment work surfaces shall be protected after installation is completed. The work surface protection shall be removed by others at a later date.

F. Delivery Schedule:

1. All deliveries shall occur from 7:00 am to 7:00 pm unless otherwise scheduled with Richard L. Hoffman & Associates.
2. The Vendor shall be responsible for coordinating permitting for their deliveries in the street as required.

3. The Vendor shall be responsible for coordinating exact delivery dates and times with the project site. Only products that can be immediately installed in a completed space shall be delivered, to avoid staging and on-site storage. The Vendor shall be responsible for temporarily storing materials in a secure warehouse for a period of up to 30 days from DASNY's requested delivery date at no additional cost. The Vendor shall be responsible for the rejection of product delivery, replacement, repair or any other corrective action required, for items received damaged, soiled or not conforming to the detailed specifications.

G. Tentative Fixtures, Furniture and Equipment Delivery Schedule:

1. Installation of furniture is anticipated to begin October 2019.
2. Installation of fixtures and equipment can begin as indicated in the Request for Quotation and/or Invitation for Bid.

Note: Work must be completed by December 1, 2019.

H. Supervision:

1. A full-time Coordinating Project Manager and a minimum of one (1) Coordinating Superintendent/Foreman per floor shall be engaged while delivery and installation work are performed.

I. Parking:

1. On-site parking is available at the Main Parking lot.

J. Punch list:

1. Each vendor is responsible for contacting DASNY's designated representative at the end of each workday to review project status and obtain sign-off for daily work.
2. The furniture/equipment vendor shall schedule a punch list review with DASNY's designated representative. DASNY reserves the right to withhold 5% payment pending resolution of open punch list items.

NYS OFFICE OF MENTAL HEALTH
SOUTH BEACH PSYCHIATRIC CENTER

SECURITY REQUIREMENTS

- A. Who will control access to the facility only; any/all site security is the responsibility of each vendor. OMH Campus Security will control access to the facility. Vendors are responsible to obtain Security Badge from Campus Security.
- B. All Contractors shall submit Daily Reports to Hoffman by 10:00 am the following day. Daily Reports are to record, at the minimum, the date, temperature, weather conditions, number of workforce, subcontractors, work activities and location, and special observations. Submission of Daily Reports to Richard L. Hoffman & Associates will be a condition of monthly payments to the Contractor.

SPECIAL PROVISIONS

- A. This is a designated Hard Hat Project.
- B. There shall be no eating in the work area.
- C. Smoking is not permitted in the building, near air intakes, or within 30 feet of any building entrance or outdoor-air intakes.
- D. Use of alcohol and controlled substances on the project site is not permitted.
- E. Contractors are to comply with OMH's Rules/Regulations for Vendors and Contractors.
- F. No signs or advertising material will be permitted on the job site.
- G. All provisions of all applicable State Labor Standards must be complied with under provisions of this contract. In addition to the PLA agreement.