



**DASNY**

# **SECTION A**



BID NO.:608	PROJECT NAME & LOCATION	SUNY Downstate Medical New Academic Building 450 Clarkson Ave Brooklyn, New York 11203
Description: Installation of Steelcase Product		
Bid Open Location: DASNY 515 Broadway, Albany, New York		
Bid Open Date: May 30, 2018		
Bid Open Time: 2:30 p.m.		Contact: Kristen Costello (518) 257-3119

### NOTICE TO BIDDERS

#### **MAIL BIDS EARLY**

Sealed bids will be received by DASNY at the above address for the items listed in the attached Bid Breakdown and Schedule. When submitting your bid you must:

1. Prepare your bid on the attached Bid Breakdown and Schedule. Return one signed original of the Bid Breakdown and Schedule
2. If your bid deviates from Specifications, explain such deviations or qualifications on your letterhead, setting forth therein such explanations, and attach them to the Bid Breakdown and Schedule.
3. Submission of a bid constitutes full knowledge and acceptance of all provisions of the Notice to Bidders, all information referenced in the Purchasing General Conditions, Supplemental and Detailed Specifications, the Bid Submission and any Supplemental General Requirements contained herein, as well as any addenda issued in relation to the Invitation for Bids.
4. Each bid shall bear on the outside of the envelope the name of the bidder, address, telephone number and designated as a bid for the following:  
DASNY Bid No. 608 - Installation of Steelcase Product  
Bid Opening Date: May 30, 2018 @ 2:30PM  
Return to:  
DASNY  
Attn: Purchasing Unit  
515 Broadway  
Albany, NY 12207-2964



Bid No.: 608

When a sealed bid is placed inside another delivery jacket, the bid delivery jacket must be clearly marked on the outside “**BID ENCLOSED**” and “**ATTENTION: PURCHASING UNIT**”. The Dormitory Authority will not be responsible for receipt of bids which do not comply with these instructions.

5. Mail bid responses early in order for them to be received before the time of the bid opening. **Late bids will be automatically rejected.** Individuals submitting bids in person or by private delivery services should allow sufficient time for processing through building security to assure that the bids are received prior to the deadline for submitting bids. All individuals who plan to attend bid openings will be required to present government-issued picture identification to building security officials and obtain a visitor’s pass prior to attending the bid opening.
  
6. In accordance with State Finance Law § 139-j and 139-k, this solicitation includes and imposes certain restrictions on communications between Dormitory Authority personnel and an Offerer during this procurement process. Designated contact for this solicitation is: Kristen Costello, Sr. Purchasing Coordinator , at Dormitory Authority – State of New York, 515 Broadway, Albany, NY 12207,(518) 257-3119. Contacts made to other Dormitory Authority Personnel regarding this procurement may disqualify the Offerer and affect future procurements with governmental entities in the State of New York. Please refer to the Authority’s website [www.dasny.org](http://www.dasny.org) for Authority policy and procedures regarding this law, or the NYS office of General Services website [www.ogs.ny.gov/BU/PC/](http://www.ogs.ny.gov/BU/PC/) for more information about this law.



Bid No.: 608

**If you are not submitting a bid it is requested that you complete and return the lower portion of this form**

*(Please check all that apply and provide comments in the space provided, if necessary)*

We are not Submitting a bid.

We Request removal of our name from the mailing list.

Location of the job site.

Commodity is not carried by our company.

Scope is too large.

Other/Additional Explanation: \_\_\_\_\_

\_\_\_\_\_

NAME OF BIDDER: \_\_\_\_\_

ADDRESS \_\_\_\_\_

:

Street Telephone

City

State

Zip

\_\_\_\_\_  
Signature of Bidder

\_\_\_\_\_  
Official Title

## CLAUSES PURSUANT TO THE OMNIBUS PROCUREMENT ACT OF 1992

It is the policy of New York State to maximize opportunities for the participation of New York State business enterprises, including minority and woman-owned business enterprises as bidders, subcontractors and suppliers on its procurement contracts.

Information on the availability of New York subcontractors and supplies is available from:

Empire State Development  
Small Business Division  
30 South Pearl Street, 7<sup>th</sup> Floor  
Albany, NY 12207  
Phone: (800) 782-8369

A directory of minority and woman-owned business enterprises is available from:

Empire State Development  
Division of Minority and Women Business Development  
30 South Pearl Street  
Albany, NY 12207  
Phone: (518) 292-5250

Online Directory: <https://ny.newnycontracts.com/FrontEnd/VendorSearchPublic.asp>

DASNY maintains a directory of minority and women-owned business enterprises:  
<http://www.dasny.org/construc/mwsberreg/index.php>

The contractor acknowledges notice that New York State may seek to obtain offset credits from foreign countries as a result of this contract and agrees to cooperate with the State in these efforts.

DASNY encourages the use of recycled Materials in the manufacturing process. To that end, the recycled product must meet the same codes, specifications and standards the non-recycled materials do, including requirements for cost, installation, aesthetics, availability and maintenance.

The Omnibus Procurement Act of 1992 and § 2879 of the NYS Public Authorities Law require that by signing this bid, contractors certify that whenever the total bid amount is greater than \$1 million:

1. The contractor has made reasonable efforts to encourage the participation of New York State Business Enterprises as suppliers and Subcontractors on this project, and has retained the documentation of these efforts to be provided upon request to the State. If the contractor determines that NYS business enterprises are not available to participate on the contract as subcontractors or suppliers, the contractor shall provide a statement indicating the method by which such determination was made. If the contractor does not intend to use subcontractors, contractor shall provide a statement verifying such;
2. The contractor has complied with the Federal Equal Opportunity Act of 1972 (PL 92-261), as amended;
3. The contractor agrees to make reasonable efforts to provide notification to New York State residents of employment opportunities on this project through listing any such positions with the Job Service Division of the New York State Department of Labor, or providing such notification in such manner as is consistent with existing collective bargaining contracts or agreements. The contractor agrees to document these efforts and to provide said documentation to the State upon request;

**DASNY is required by law to notify the NYS Department of Economic Development of any procurement contract for one million dollars or more that is to be awarded to an out-of-state vendor. This notice must be done simultaneous to the notification of award provided to the vendor. A purchase order or contract cannot be issued until fifteen (15) days after such notification is provided.**



**DASNY**

---

## GENERAL SPECIFICATIONS

- (1) The enclosed Purchasing General Conditions are hereby incorporated by reference. Submission of a bid response shall constitute acceptance of such conditions. Any exceptions/clarifications/qualifications to these conditions or other specifications and/or requirements contained herein must be clearly stated in the bid response and, depending upon the nature of such, may be grounds for rejection of your bid.
- (2) Bids must be submitted in the bidder's full legal name, or the bidder's full legal name plus a registered assumed name, if any.
- (3) All NYS bidders are required to be registered to do business with the NYS Department of State or their local County Clerk, whichever is applicable.
- (4) All out-of-state bidders will be required to provide proof of registration to do business in their state. All out-of-state bidders that "do business in New York State" **MUST BE REGISTERED WITH THE NYS DEPARTMENT OF STATE**. Please contact the NYS Department of State at (518) 473-2492. Information is available at the DOS website: [www.dos.ny.gov](http://www.dos.ny.gov)
- (5) DASNY is required by law to notify the Empire State Development of any procurement contract for one million dollars or more that is to be awarded to an out-of-state vendor. This notice must be done simultaneous to the notification of award provided to the vendor. A purchase order or contract cannot be issued until fifteen (15) days after such notification is provided.
- (6) Empire State Development is required by law to identify states and other jurisdictions that impose preferences or other penalties against New York bidders. DASNY is precluded from soliciting bids or entering into procurement contracts with companies that have their principal place of business located in one of the listed jurisdictions, unless the procurement is for a product that is substantially manufactured in New York State or the services are to be performed in New York State. Currently, this list of jurisdictions includes the states of Alaska, Hawaii, Louisiana, South Carolina, West Virginia and Wyoming.
- (7) Unless otherwise indicated, any reference to brands or model numbers is intended to establish a standard. Items of all manufacturers will be considered, provided the item is determined to meet or exceed the required specification. DASNY's decision as to whether a substitute item meets specification will be final. Your attention is directed to Article II-7, Page 5 of the General Conditions. In order to evaluate substitute items, detailed specifications must be submitted for any product that is other than the one(s) specified in the bid.



---

## GENERAL SPECIFICATIONS CONTINUED

- (8) Unless otherwise noted, guarantee on all items is to be one year as detailed in Article XVI of the General Conditions
- (9) All upholstered furniture and drapery panels and lining must meet strict flammability requirements. Standards applicable to this bid, if any, will be delineated in the Detailed Specifications.
- (10) LABOR/TRADES - Any labor, materials or means whose employment, or utilization during the course of this contract, shall not in any way cause or result in strike, work stoppages, delays, suspension of work; or similar troubles by workers employed by this contractor or his subcontractors, or by any of the trades working in or about the buildings and premises where work is being performed. Any violation by the contractor of this requirement may in the sole judgment of DASNY be considered as proper and sufficient cause for declaring the contractor to be in default, and for the owner to take action against him as set forth in the Purchasing General Conditions, Article VIII, "Termination", or such other action as DASNY may deem proper.
- (11) Bid results are available on the DASNY website ([www.DASNY.org](http://www.DASNY.org)). Bid results will not be given over the phone.
- (12) If you are a NYS Certified Minority or Women Owned Business, please include a copy of your certification with the bid.





**DASNY**

**ANDREW M. CUOMO**  
Governor

**ALFONSO L. CARNEY, JR.**  
Chair

**GERRARD P. BUSHELL, Ph.D.**  
President & CEO

## SUPPLEMENTAL SPECIFICATIONS

**The following items are attached for informational purposes. Referenced documents need not be returned with the proposal.** These documents are only applicable to the successful bidder and the ensuing procurement contract. Documents are only applicable to the successful bidder and the ensuing procurement contract. Documents applicable to the procurement that will result from this Invitation for Bids are designated by a check box (☒). Unless otherwise indicated, the referenced documents are located at the end of this Invitation for Bids.

- Purchasing General Conditions** – The DASNY Purchasing General Conditions contains terms and conditions of purchases made by DASNY. It is recommended that this document be reviewed fully.
- M/WBE Utilization Plan and Request for Waiver** - Minority and Women-Owned Business Enterprise (M/WBE) goals for this project are 0% and 0%, respectively. The successful bidder shall be required to complete a Utilization Plan or Request for Waiver, to be approved by DASNY’s Opportunity Programs Group. Reference Purchasing General Conditions, Article XIX, Affirmative Action for Contracts Mr. Michael Clay, DASNY Opportunity Programs Group at (518) 257-3464, is available to assist all bidders in attaining these goals. *Reference the enclosed “Good Faith Efforts Guidelines”.*
- Supplemental General Requirements** – Attached (if applicable) are the Supplemental General Requirements (SGRs) which provide important logistical information and additional conditions which govern this procurement. Please read these SGRs carefully.
- Form of DASNY Contract** – The procurement resulting from the Invitation for Bids will be executed through a DASNY purchase order and a related contract. The contract executed with the successful bidder will be in the same substantial form as the attached “Form of Contract”. Note that this Invitation for Bids and any response to such will be annexed as binding terms of the purchase agreement.
- Certificate of Insurance** (*sample enclosed*) – The successful bidder will be required to provide a Certificate of Insurance pursuant to Article XIV of the enclosed Purchasing General Conditions. The certificate shall name DASNY and other designated parties as additional insureds.

**CORPORATE HEADQUARTERS**  
515 Broadway  
Albany, NY 12207-2964

T 518-257-3000  
F 518-257-3100

**NEW YORK CITY OFFICE**  
One Penn Plaza, 52nd Floor  
New York, NY 10119-0098

T 212-273-5000  
F 212-273-5121

**BUFFALO OFFICE**  
539 Franklin Street  
Buffalo, NY 14202-1109

T 716-884-9780  
F 716-884-9787

**DORMITORY AUTHORITY STATE OF NEW YORK**

**WE FINANCE, BUILD AND  
DELIVER.**

[www.dasny.org](http://www.dasny.org)



**DASNY**

**ANDREW M. CUOMO**  
Governor

**ALFONSO L. CARNEY, JR.**  
Chair

**GERRARD P. BUSHELL, Ph.D.**  
President & CEO

**SUPPLEMENTAL SPECIFICATIONS CONTINUED**

- Worker’s Compensation / Disability Insurance** – The successful proposer will be required to provide specific documentation with respect to Worker’s Compensation and Disability Insurance pursuant to Article XIV of the enclosed Purchasing General Conditions. Requirements are detailed in the enclosed “Workers’ Compensation and Disability Benefits Requirements” document.
  
- Prevailing Wage Schedule** – NYS Labor Law requires all wages paid by contractors and subcontractors on public work projects be paid at the prevailing wage rates. Enclosed is the current rate schedule for the appropriate county. Contractors and Subcontractors are responsible for obtaining current rates throughout the course of the project. The NYS Department of Labor (NYS DOL) updates these rates on July 1st of each year. Current rates can be obtained on the NYS DOL website ([www.labor.state.ny.us](http://www.labor.state.ny.us)) or by fax at (518) 485-1870. Note that an executed Contractor and Subcontractor Certification and certified payrolls, which include the hours and days worked by each workman, laborer or mechanic, the occupation at which he worked, the hourly wage rate paid and the supplements paid or provided, must be submitted with each and every payment requisition. **DASNY will not process an invoice without this information.** Forms are available on the DASNY website:  
<http://www.dasny.org/construc/forms2/vendors.php>
  
- Labor and Material Payment Bond** – The successful bidder must be prepared to provide surety bonds prior to award in accordance with Article XIV of the DASNY Purchasing General Conditions. The costs of these bonds are to be separately stated in the total bid price as indicated on the Bid Breakdown and Schedule.
  
- Performance Bond** – The Successful bidder must be prepared to provide surety bonds prior to award in accordance with Article XIV of DASNY Purchasing General Conditions. The costs of these bonds are to be separately stated in the total bid price as indicated on the Bid Breakdown and Schedule.
  
- Standard Vendor Responsibility Questionnaire (SVRQ)** – The successful proposer, in accordance with Article XXII of DASNY Purchasing General Conditions, will be required to complete the enclosed SVRQ. The award of a contract will be subject to a review of the information contained in these forms.

**CORPORATE HEADQUARTERS**  
515 Broadway  
Albany, NY 12207-2964

**NEW YORK CITY OFFICE**  
One Penn Plaza, 52nd Floor  
New York, NY 10119-0098

**BUFFALO OFFICE**  
539 Franklin Street  
Buffalo, NY 14202-1109

**DORMITORY AUTHORITY STATE OF NEW YORK**

**WE FINANCE, BUILD AND DELIVER.**

T 518-257-3000  
F 518-257-3100

T 212-273-5000  
F 212-273-5121

T 716-884-9780  
F 716-884-9787

[www.dasny.org](http://www.dasny.org)



**DASNY**

**ANDREW M. CUOMO**  
Governor

**ALFONSO L. CARNEY, JR.**  
Chair

**GERRARD P. BUSHELL, Ph.D.**  
President & CEO

**SUPPLEMENTAL SPECIFICATIONS CONTINUED**

- NYS Uniform Contracting Questionnaire (UCQ)** – The successful proposer will be required to complete the enclosed UCQ. The award of a contract will be subject to a review of the information contained in these forms.
  
- DASNY Contractor and Consultant Questionnaire (CCQ)** – The successful proposer will be required to complete the enclosed CCQ. The award of a contract will be subject to a review of the information contained in these

---

**CORPORATE HEADQUARTERS**  
515 Broadway  
Albany, NY 12207-2964

T 518-257-3000  
F 518-257-3100

**NEW YORK CITY OFFICE**  
One Penn Plaza, 52nd Floor  
New York, NY 10119-0098

T 212-273-5000  
F 212-273-5121

**BUFFALO OFFICE**  
539 Franklin Street  
Buffalo, NY 14202-1109

T 716-884-9780  
F 716-884-9787

**DORMITORY AUTHORITY STATE OF NEW YORK**

**WE FINANCE, BUILD AND  
DELIVER.**

[www.dasny.org](http://www.dasny.org)



# DETAILED SPECIFICATIONS

# OFF 1

Project: SUNY

empire office

#	Qty	Part Number	Description	Complete	Options	Laminate Office	Ind. Tag
1	1	PWBVTRBD	Whiteboard-Premium Parametric Edge Series 48.00000 48.00000 Ceramic 7655: E3 ENVIRONMENTAL CERAMICSTEEL Anodized Aluminum 8043: CLEAR ANODIZED ALUM Wall Mount With Tray	Y	Size Option Trim Type Height Width Surface Finish Group Surface Finish Trim Finish Group Trim Finish Mount Option Tray Option	01-1-Whiteboard	WB/48.00000/48.00000
2	1	E6OS156615H	Overhead-Single high, Hinged doors, 15 7/8D x 66W x 15H 2409: CLEAR MAPLE (HPL) ** OPTIONS ** *OPT:DOOR OPTION GLS DOOR PAINTED GLASS 8043: CLEAR ANODIZED ALUM 6580: ICE WHITE SOFT CLOSE NO LOCK WALL MOUNT BRACKET	Y	BASIC ** OPTIONS ** DOOR OPT GLS DOOR PNT GLS FRAME DOOR OPN CLS LOCK OPT BRACKETS	01-OFF-1	OC/66/15H
3	1	TS5TLDS2436	Shell-Desk, 24D x 36W 2L09: CLEAR MAPLE (LPL) 6237: CLEAR MAPLE 2L09: CLEAR MAPLE (LPL) ** OPTIONS ** QUARTER HEIGHT MODESTY PANEL CLEAR ACCESS LH, FULL RH - EN Special SF197961 SF00286213 35	Y	BASIC EDGE TOP-SURF ** OPTIONS ** MOD PNL EP OPT EON EQP LPA	01-OFF-1	24/36
4	1	TS5TLMA3072	Currency Worksurface, Special: *Grommet AWAAG2 26" from RH side to grommet center (see drawing) Peninsula-Modesty panel, Rectilinear, 30D x 72W 2L09: CLEAR MAPLE (LPL) 4799: PLATINUM METALLIC 6237: CLEAR MAPLE 2L09: CLEAR MAPLE (LPL) ** OPTIONS ** QUARTER HEIGHT MODESTY PANEL	Y	BASIC COLUMN EDGE TOP-SURF ** OPTIONS ** MOD PNL	01-OFF-1	30/78

# OFF 1

empire office

Project: SUNY

#	Qty	Part Number	Description	Complete	Options	Laminate Office	Ind. Tag
			Special				
			SF197961		EQN		
			SF00286198		EQP		
			171		LPA		
5	2	AWAG2	Currency Rectilinear-Shape Worksurface, Special; * Size, 30"D x (78"W), *Grommet AWAG2 back left(see drawing), Reference Documents: 00171681	Y		01-OFF1	GR
			Grommet-Round, 2 1/2 dia				
			*GROMMET:METALLIC PAINT				
			PLATINUM METALLIC		METALLIC		
					4799		
6	1	E6IT6621M	Tackboard, Wall mount application, 66W x 21 1/2H	Y		01-OFF1	TB/6621
			P530: ASTI		TKBD		
7	1	TS6LFF23U	Pedestal-Under worksurface, File / file, 23D x 27H	Y		01-OFF1	FF
			2L09: CLEAR MAPLE (LPL)		BASIC		
			2L09: CLEAR MAPLE (LPL)		FRONT		
			9201: POLISHED CHROME		LOCK		
			** OPTIONS **		** OPTIONS **		
			*OPT:PULL OPTIONS		PULLS		
			LEDGE PULL		LEDGE		
			4799: PLATINUM METALLIC		PULL		
			Special				
			SF197961		EQN		
			SF00274657		EQP		
			25		LPA		
					ISF		
8	1	TS6TLBF22M	Currency Ped, Special, * headsets ext to floor, Reference Documents: 00171681	Y		01-OFF1	BF
			Pedestal-Mobile, Box / file, 22D x 21 1/2H				
			2L09: CLEAR MAPLE (LPL)		BASIC		
			6237: CLEAR MAPLE		EDGE		
			2L09: CLEAR MAPLE (LPL)		FRONT		
			9201: POLISHED CHROME		LOCK		
			2L09: CLEAR MAPLE (LPL)		TOP-SURF		
			** OPTIONS **		** OPTIONS **		
			*OPT:PULL OPTIONS		PULLS		
			LEDGE PULL		LEDGE		
			4799: PLATINUM METALLIC		PULL		
9	1	TS6TLBSB3637	Bookcase-Stacking, 36W x 37 1/2H	Y		01-OFF1	BC/2H/36
			2L09: CLEAR MAPLE (LPL)		BASIC		
			2L09: CLEAR MAPLE (LPL)		TOP-SURF		
10	1	TS6TLTR2424	Tower-2 drawers with shelves, Wardrobe, Right hand door, 24W x 24D	Y		01-OFF1	24/15
			2L09: CLEAR MAPLE (LPL)		BASIC		
			2L09: CLEAR MAPLE (LPL)		FRONT		
			2L09: CLEAR MAPLE (LPL)		TOP-SURF		
			** OPTIONS **		** OPTIONS **		

OFF 1

empire office

Project: SUNY

#	Qty	Part Number	Description	Complete	Options	Laminate Office	Ind. Tag
			*OPT:PULL OPTIONS		PULLS		
			LEDGE PULL		LEDGE		
			4799: PLATINUM METALLIC		PULL		
			*OPT:LOCK OPTION		LOCK OPT		
			S/C REMOVABLE LOCK		WITHLOCK		
			9201: POLISHED CHROME		LOCK		
			Special		EQN		
			SF197961		EQP		
			SF00286230		LPA		
			-80		ISF		
			Currency Tower, Special, * Omit all interior components, * 24"d x (15"w x 66"h), height to match EE cabinet height., * Side to Side Coat Rod, * Door to the floor., Reference Documents:, 00171681				
11	1	TS5TL2436F2	Lateral file-Freestanding, 24D x 28 1/2H x 36W	Y		01-OFF-1	LF/2/36
			2L09: CLEAR MAPLE (LPL)		BASIC		
			6237: CLEAR MAPLE		EDGE		
			2L09: CLEAR MAPLE (LPL)		FRONT		
			9201: POLISHED CHROME		LOCK		
			2L09: CLEAR MAPLE (LPL)		TOP-SURF		
			** OPTIONS **		** OPTIONS **		
			*OPT:PULL OPTIONS		PULLS		
			LEDGE PULL		LEDGE		
			4799: PLATINUM METALLIC		PULL		
			Special		EQN		
			SF197961		EQP		
			SF00286223		LPA		
			0		ISF		
			Currency Lateral, Special, *Drawer front to the floor., Reference Documents:, 00171681				





# OFF 1A

empire office

Project: SUNNY

#	Qty	Part Number	Description	Complete	Options	Ind. Tag	Laminate Office
1	1	PWBWTRBD	Whiteboard-Premium Parametric Edge Series 48.00000 48.00000 Ceramic 7655: E3 ENVIRONMENTAL CERAMICSTEEL Anodized Aluminum 8043: CLEAR ANODIZED ALUM Wall Mount With Tray	Y	Size Option Trim Type Height Width Surface Finish Group Surface Finish Trim Finish Group Trim Finish Mount Option Tray Option	WB/48.00000/48.00000	02.1-Whiteboard
2	1	BFR36	Table-Round, 36 dia 6237: CLEAR MAPLE 2409: CLEAR MAPLE (HPL) Base-X, 26W	Y	EDGE TOP-SURF	36	02-OFF 1A
3	1	BX26	4799: PLATINUM METALLIC 4799: PLATINUM METALLIC	Y	BASE COLUMN	XB	02-OFF 1A
4	1	E6OS156615H	Overhead-Single high, Hinged doors, 15 7/8D x 66W x 15H 2409: CLEAR MAPLE (HPL) ** OPTIONS ** *OPT:DOOR OPTION GLS DOOR PAINTED GLASS 8043: CLEAR ANODIZED ALUM 6680: ICE WHITE SOFT CLOSE NO LOCK	Y	BASIC ** OPTIONS ** DOOR OPT GLS DOOR PNT GLS FRAME DOOR OPN CLS LOCK OPT BRACKETS	OC/66/15H	02-OFF 1A
5	1	TS5TLDS2436	WALL MOUNT BRACKET Shell-Desk, 24D x 36W 2L09: CLEAR MAPLE (LPL) 6237: CLEAR MAPLE 2L09: CLEAR MAPLE (LPL) ** OPTIONS ** QUARTER HEIGHT MODESTY PANEL CLEAR ACCESS LH, FULL RH - EN Special SF197961 SF00286213	Y	BASIC EDGE TOP-SURF ** OPTIONS ** MOD PNL EP OPT	24/36	02-OFF 1A
6	1	TS5TLMA3072	Currency Worksurface, Special, *Grommet,AWAG2 26" from RH side to grommet center (see drawings) Peninsula-Modesty panel, Rectilinear, 30D x 72W	Y	EQN EQP LPA	30/78	02-OFF 1A

# OFF 1A

empire office

Project: SUNY

#	Qty	Part Number	Description	Complete	Options	Ind. Tag	Laminate Office
7	2	AWAG2	Currency Rectilinear-Shape Worksurface, Special: * Size, 30"v d x (78"W), *Grommet AWAG2 back (left/see drawing), Reference Documents: 00171681 Grommet-Round, 2 1/2 dia *GROMMET:METALLIC PAINT PLATINUM METALLIC	Y	BASIC COLUMN EDGE TOP-SURF ** OPTIONS ** MOD PNL	GR	02-OFF 1A
8	1	E61T6621M	Tackboard, Wall mount application, 66W x 21 1/2H P530:ASTI	Y	EQN EQP LPA	TB/6621	02-OFF 1A
9	1	TSSLFF23U	Pedestal-Under worksurface, File / file, 23D x 27H 2L09: CLEAR MAPLE (LPL) 2L09: CLEAR MAPLE (LPL) 9201: POLISHED CHROME ** OPTIONS ** *OPT:PULL OPTIONS LEDGE PULL 4799: PLATINUM METALLIC Special SF197961 SF00274657 25	Y	BASIC FRONT LOCK ** OPTIONS ** PULLS LEDGE PULL	FF	02-OFF 1A
10	1	TSSTLBF22M	Currency Ped, Special, * headsets ext to floor, Reference Documents: 00171681 Pedestal-Mobile, Box / file, 22D x 21 1/2H 2L09: CLEAR MAPLE (LPL) 6237: CLEAR MAPLE 2L09: CLEAR MAPLE (LPL) 9201: POLISHED CHROME 2L09: CLEAR MAPLE (LPL) ** OPTIONS ** *OPT:PULL OPTIONS LEDGE PULL 4799: PLATINUM METALLIC	Y	EQN EQP LPA ISF	BF	02-OFF 1A
11	1	TSSTLQL2466	Bookcase-Quarter, Left hand, 24D x 66H 2L09: CLEAR MAPLE (LPL)	Y	BASIC	BC/4H/LH	02-OFF 1A

# OFF 1A

empire office

Project: SUNY

#	Qty	Part Number	Description	Complete	Options	Ind. Tag	Laminate Office
12	1	TS5TL5B3637	2L09: CLEAR MAPLE (LPL) Bookcase-Stacking, 36W x 37 1/2H 2L09: CLEAR MAPLE (LPL) 2L09: CLEAR MAPLE (LPL)	Y	TOP-SURF BASIC TOP-SURF	BC/2H/36	02-OFF 1A
13	1	TS5TLTR2424	Tower-2 drawers with shelves, Wardrobe, Right hand door, 24W x 24D 2L09: CLEAR MAPLE (LPL) 2L09: CLEAR MAPLE (LPL) 2L09: CLEAR MAPLE (LPL) ** OPTIONS ** *OPT:PULL OPTIONS LEDGE PULL 4799: PLATINUM METALLIC *OPT:LOCK OPTION S/C REMOVABLE LOCK 9201: POLISHED CHROME	Y	BASIC FRONT TOP-SURF ** OPTIONS ** PULLS LEDGE PULL LOCK OPT WITHLOCK LOCK	24/15	02-OFF 1A
			Special SF197961 SF00286230 -80		EQN EQP LPA		
14	1	TS5TL2436F2	Currency Tower, Special, * Omit all interior components, * 24"d x (15"w x 66"h), height to match EE cabinet height., * Side to Side Coat Rod, * Door to the floor., Reference Documents:, 00171681 Lateral file-Freestanding, 24D x 28 1/2H x 36W 2L09: CLEAR MAPLE (LPL) 6237: CLEAR MAPLE 2L09: CLEAR MAPLE (LPL) 9201: POLISHED CHROME 2L09: CLEAR MAPLE (LPL) ** OPTIONS ** *OPT:PULL OPTIONS LEDGE PULL 4799: PLATINUM METALLIC Special SF197961 SF00286223	Y	ISF BASIC EDGE FRONT LOCK TOP-SURF ** OPTIONS ** PULLS LEDGE PULL	LF/2/36	02-OFF 1A
			0 Currency Lateral, Special, *Drawer front to the floor., Reference Documents:, 00171681		EQN EQP LPA ISF		



# OFF 2

Project: SUNNY

#	Qty	Part Number	Description	Complete	Options	Ind. Tag	Laminate Office
1	1	PWBWTRBD	Whiteboard-Premium Parametric Edge Series 48.00000 48.00000 Ceramic 7655: E3 ENVIRONMENTAL CERAMICSTEEL Anodized Aluminum 8043: CLEAR ANODIZED ALUM Wall Mount With Tray	Y	Size Option Trim Type Height Width Surface Finish Group Surface Finish Trim Finish Group Trim Finish Mount Option Tray Option	WB/48.00000/48.00000	03.1-Whiteboard
2	1	E6OS157215H	Overhead-Single high, Hinged doors, 15 7/8D x 72W x 15H 2409: CLEAR MAPLE (HPL) ** OPTIONS ** *OPT:DOOR OPTION GLS DOOR PAINTED GLASS 8043: CLEAR ANODIZED ALUM 6580: ICE WHITE SOFT CLOSE NO LOCK WALL MOUNT BRACKET	Y	BASIC ** OPTIONS ** DOOR OPT GLS DOOR PNT GLS FRAME DOOR OPN CLS LOCK OPT BRACKETS	OC/72/15H	03-OFF 2
3	1	TS5TLDS2442	Shell-Desk, 24D x 42W 2L09: CLEAR MAPLE (LPL) 6237: CLEAR MAPLE 2L09: CLEAR MAPLE (LPL) ** OPTIONS ** QUARTER HEIGHT MODESTY PANEL CLEAR ACCESS LH, FULL RH - EN Special SF197961 SF00286216 35	Y	BASIC EDGE TOP-SURF ** OPTIONS ** MOD PNL EP OPT	24/42	03-OFF 2
4	1	TS5TLMA3072	Peninsula-Modesty panel, Rectilinear, 30D x 72W 2L09: CLEAR MAPLE (LPL) 4799: PLATINUM METALLIC 6237: CLEAR MAPLE 2L09: CLEAR MAPLE (LPL) ** OPTIONS ** QUARTER HEIGHT MODESTY PANEL	Y	BASIC COLUMN EDGE TOP-SURF ** OPTIONS ** MOD PNL	30/78	03-OFF 2

# OFF 2

empire office

Project: SUNY

#	Qty	Part Number	Description	Complete	Options	Ind. Tag	Laminate Office
5	2	AWAG2	Special SF197961 SF00286198 171 Currency Rectilinear-Shape Worksurface, Special, * Size, 30"d x (78" W), *Grommet AWAG2 back left (\$see drawing), Reference Documents: 00171681	Y	EQN EQP LPA	GR	03-OFF 2
6	1	E6ITT221M	*GROMMET:METALLIC PAINT PLATINUM METALLIC Tackboard, Wall mount application, 72W x 21 1/2H P530: ASTI	Y	METALLIC 4799	TB/7221	03-OFF 2
7	1	TS5LFF23U	Pedestal-Under worksurface, File / file, 23D x 27H 2L09: CLEAR MAPLE (LPL) 2L09: POLISHED CHROME ** OPTIONS ** *OPT:PULL OPTIONS LEDGE PULL	Y	TKBD BASIC FRONT LOCK ** OPTIONS ** PULLS LEDGE PULL	FF	03-OFF 2
8	1	TS5TLBF22M	4799: PLATINUM METALLIC Special SF197961 SF00274657 25 Currency Ped. Special, * headsets ext to floor, Reference Documents: 00171681 Pedestal-Mobile, Box / file, 22D x 21 1/2H 2L09: CLEAR MAPLE (LPL) 6237: CLEAR MAPLE 2L09: CLEAR MAPLE (LPL) 9201: POLISHED CHROME 2L09: CLEAR MAPLE (LPL) ** OPTIONS ** *OPT:PULL OPTIONS LEDGE PULL	Y	EQN EQP LPA ISF	BF	03-OFF 2
9	1	TS5TL5B3637	4799: PLATINUM METALLIC Bookcase-Stacking, 36W x 37 1/2H 2L09: CLEAR MAPLE (LPL) 2L09: CLEAR MAPLE (LPL)	Y	BASIC TOP-SURF	BC/2H/36	03-OFF 2
10	1	TS5TLTR2424	Tower-2 drawers with shelves, Wardrobe, Right hand door, 24W x 24D 2L09: CLEAR MAPLE (LPL) 2L09: CLEAR MAPLE (LPL) 2L09: CLEAR MAPLE (LPL) ** OPTIONS **	Y	BASIC FRONT TOP-SURF ** OPTIONS **	24/15	03-OFF 2

# OFF 2

Project: SUNY

empire office

#	Qty	Part Number	Description	Complete	Options	Ind. Tag	Laminate Office
			*OPT:PULL OPTIONS		PULLS		
			LEDGE PULL		LEDGE		
			4799: PLATINUM METALLIC		PULL		
			*OPT:LOCK OPTION		LOCK OPT		
			S/C REMOVABLE LOCK		WITHLOCK		
			9201: POLISHED CHROME		LOCK		
			Special				
			SF197961		EQN		
			SF00286230		ECP		
			-80		LPA		
			Currency Tower, Special, * Omit all interior components, * 24" d x (15" w x 66" n), height to match EE cabinet height, * Side to Side Coat Rod, * Door to the floor, Reference Documents:, 001771681		ISF		
11	1	TS5TL2436F2	Lateral file-Freesstanding, 24D x 28 1/2H x 36W	Y		LF/2/36	03-OFF 2
			2L09: CLEAR MAPLE (LPL)		BASIC		
			6237: CLEAR MAPLE		EDGE		
			2L09: CLEAR MAPLE (LPL)		FRONT		
			9201: POLISHED CHROME		LOCK		
			2L09: CLEAR MAPLE (LPL)		TOP-SURF		
			** OPTIONS **		** OPTIONS **		
			*OPT:PULL OPTIONS		PULLS		
			LEDGE PULL		LEDGE		
			4799: PLATINUM METALLIC		PULL		
			Special				
			SF197961		EQN		
			SF00286223		ECP		
			0		LPA		
			Currency Lateral, Special, * Drawer front to the floor., Reference Documents:, 001771681		ISF		





# OFF 3

empire office

Project: SUNY

#	Qty	Part Number	Description	Complete	Options	Ind. Tag	General Markings
1	1	PWBWBTBRD	Whiteboard-Premium Parametric Edge Series 48.00000 48.00000 Ceramic 7655: E3 ENVIRONMENTAL CERAMICSTEEL Anodized Aluminum 8043: CLEAR ANODIZED ALUM Wall Mount With Tray	Y	Size Option Trim Type Height Width Surface Finish Group Surface Finish Trim Finish Group Trim Finish Mount Option Tray Option	WB/48.00000/48.00000	01.1-Whiteboard
2	1	AWQAE45	Brace-Worksurface, 45W	Y		BR/45	01-OFF 3
3	2	AWQF	Bracket-Flush mount	Y		FMB	01-OFF 3
4	1	EBBS153636P	Bookcase-Stacking, Open, 15D x 36W x 36 5/8H 3832: QC/OP FIGURED ANEGRE ** OPTIONS ** STD:UNFINISHED EXTERIOR BACK STD:3/4 INCH SHELF Panel-Center support, 11D x 27 1/2H *BASIC:WOOD PREMIUM 3 QC/OP FIGURED ANEGRE	Y	BASIC ** OPTIONS ** BACK OPT SHELF OPT	SBC/3H/36	01-OFF 3
5	1	E6NC1127	Panel-End, Pilinth base, Right hand, L leg, 17 1/4D x 15W x 27 1/2H *BASIC:WOOD PREMIUM 3 QC/OP FIGURED ANEGRE	Y	BASIC ** OPTIONS ** BRACKETS	CP	01-OFF 3
6	1	E6NLT171527R	Panel-End, Pilinth base, Right hand, L leg, 17 1/4D x 15W x 27 1/2H *BASIC:WOOD PREMIUM 3 QC/OP FIGURED ANEGRE	Y	BASIC ** OPTIONS ** BRACKETS	EP/17	01-OFF 3
7	2	E6OS153015P	Overhead-Single high, Open, 15D x 30W x 15H 3832: QC/OP FIGURED ANEGRE ** OPTIONS ** WALL MOUNT BRACKET	Y	BASIC ** OPTIONS ** BRACKETS	OC/30/15H	01-OFF 3
8	1	E6OS153615H	Overhead-Single high, Hinged doors, 15 7/8D x 36W x 15H 3832: QC/OP FIGURED ANEGRE ** OPTIONS ** *OPT:DOOR OPTION WOOD DOOR 3832: QC/OP FIGURED ANEGRE SOFT CLOSE *OPT:LOCK OPTION LOCKING WOOD AND LAMINATE STANDARD KEY PLUG LOCKING FINISH (REQUIRED) 9201: POLISHED CHROME WALL MOUNT BRACKET	Y	BASIC ** OPTIONS ** DOOR OPT WD DOOR DOOR OPN CLS LOCK OPT LOCKOPT KEY OPT LOCKING LOCK BRACKETS	OC/36/15H	01-OFF 3

# OFF 3

empire office

Project: SUNY

#	Qty	Part Number	Description	Complete	Options	Ind. Tag	General Markings
9	1	E6QR6227T	Column-Rectangle, 6D x 1 3/4W x 27 1/2H 8043: CLEAR ANODIZED ALUM Worksurface-Desk, 30D x 60W	Y	BASIC	RC	01-OFF 3
10	1	E6WD3060	3832: QC/OP FIGURED ANEGRE ** OPTIONS **	Y	TOP-SURF ** OPTIONS ** PROF OPT WD PROF	30/60	01-OFF 3
11	1	E6WS2472	*OPT:WORKSURFACE PROFILE OPTIONS WOOD WS WOOD SQUARE Worksurface-Straight, 24D x 72W 3832: QC/OP FIGURED ANEGRE ** OPTIONS **	Y	TOP-SURF ** OPTIONS ** PROF OPT WD PROF SCAL OPT GRN OPT	24/72	01-OFF 3
12	1	E6WS2496	*OPT:WORKSURFACE PROFILE OPTIONS WOOD WS WOOD SQUARE *OPT:GROMMET OPTIONS ROUND GROMMETS CENTER- ROUND GROMMET 4799: PLATINUM METALLIC STD:NO SCALLOPS STD:LONG GRAIN Special GWD051692 GWD00104215 75	Y	TOP-SURF ** OPTIONS ** PROF OPT WD PROF GRMT OPT RND GRMT EGRC GROMMET SCAL OPT GRN OPT	SPCL: 24x(92)	01-OFF 3
13	3	E6NM3027	Special Size: A=24" D X (B=92" W) Panel-Modesty, 30W x 27 1/2H 3832: QC/OP FIGURED ANEGRE Panel-Modesty, 42W x 12H	Y	BASIC	MP/30	01-OFF 3
14	1	E6NM4212	3832: QC/OP FIGURED ANEGRE ** OPTIONS **	Y	BASIC ** OPTIONS ** BRACKETS HANGING BRACKET	MP/42	01-OFF 3
15	1	E6IT9621M	*OPT:BRACKET OPTIONS HANGING BRACKET 4799: PLATINUM METALLIC Tackboard, Wall mount application, 96W x 21 1/2H P530: ASTI	Y	BRACKETS HANGING BRACKET	TB/9621	01-OFF 3
16	1	E6KW241265R	Wardrobe, Plinth base, Door hinged right hand, 24D x 12W x 65 5/8H	Y	TKBD	WR/65	01-OFF 3

# OFF 3

empire office

Project: SUNY

#	Qty	Part Number	Description	Complete	Options	Ind. Tag	General Markings
			3832: QC/OP FIGURED ANEGRE		BASIC		
			9201: POLISHED CHROME		LOCK		
			*KEYS:KEY PLUG		KEYS		
			** OPTIONS **		** OPTIONS **		
			*OPT:DOOR OPTION		DOOR OPT		
			WOOD DOOR		WD DOOR		
			3832: QC/OP FIGURED ANEGRE		DOOR		
			*OPT:PULL OPTION		PULL OPT		
			PULLS FOR WD DR		PULL WD		
			BAR PULL		BAR PULL		
			9212: SILVER		PULL		
17	1	E6PD163027P	Pedestal, Plinth base, Open, 16 1/4D x 30W x 27 1/2H	Y	BASIC	BC/2H/30	01-OFF 3
			3832: QC/OP FIGURED ANEGRE		** OPTIONS **		
			** OPTIONS **		SHELF OPT		
			STD:3/4 INCH SHELF				
			Pedestal, Plinth base, File / file, 17 1/4D x 30W x 27 1/2H	Y	BASIC	FF	01-OFF 3
			3832: QC/OP FIGURED ANEGRE		FRONT		
			3832: QC/OP FIGURED ANEGRE		LOCK		
			9201: POLISHED CHROME		KEYS		
			*KEYS:KEY PLUG		** OPTIONS **		
			** OPTIONS **		PULL OPT		
			*OPT:PULL OPTION		PULL WD		
			PULLS FOR WD FRT		BAR PULL		
			BAR PULL		PULL		
			9212: SILVER		WGHT PKG		
			COUNTERWEIGHT PKG				
19	1	E6PM201523	Pedestal-Mobile, Plinth base, 22 3/4D x 15W x 23H	Y	BASIC	BF	01-OFF 3
			3832: QC/OP FIGURED ANEGRE		FRONT		
			3832: QC/OP FIGURED ANEGRE		LOCK		
			9201: POLISHED CHROME		KEYS		
			*KEYS:KEY PLUG		** OPTIONS **		
			** OPTIONS **		PULL OPT		
			*OPT:PULL OPTION		PULL WD		
			PULLS FOR WD FRT		BAR PULL		
			BAR PULL		PULL		
			9212: SILVER		DWR CON		
			STD:DOVETAIL CONSTRUCTION		TOP OPT		
			STD:NO CUSHION TOP				
20	1	E6LF243629T	Lateral file, Plinth base, 2 drawers, 24D x 36W x 29H	Y	BASIC	LF/2/36	01-OFF 3
			3832: QC/OP FIGURED ANEGRE		FRONT		
			3832: QC/OP FIGURED ANEGRE				

# OFF 3

empire office

Project: SUNY

#	Qty	Part Number	Description	Complete	Options	Ind. Tag	General Markings
21	1	CFLEXX30	9201: POLISHED CHROME *KEYS:KEY PLUG ** OPTIONS ** *OPT:PULL OPTION PULLS FOR WD FRT BAR PULL 9212: SILVER STD:DOVETAIL CONSTRUCTION *OPT:WORKSURFACE PROFILE OPTIONS WOOD WS WOOD SQUARE Base-Table, Metal, X flex, 30D x 30W x 27 1/2H *BASE:METALLIC PAINT PLATINUM METALLIC	Y	LOCK KEYS ** OPTIONS ** PULL OPT PULL WD BAR PULL PULL DWR CON PROF OPT WD PROF	XB/30	01-OFF 3
22	1	CWFR42	Table-Round, Flat edge profile, 42 dia, Wood 3832: QC/OP FIGURED ANEGRE	Y	TOP-SURF	42	01-OFF 3

# OFF 3A

empire office

Project: SUNY

#	Qty	Part Number	Description	Complete	Options	Ind. Tag	General Markings
1	1	PWBWBTBRD	Whiteboard-Premium Parametric Edge Series 48.00000 48.00000 Ceramic 7655: E3 ENVIRONMENTAL CERAMICSTEEL Anodized Aluminum 8043: CLEAR ANODIZED ALUM Wall Mount With Tray	Y	Size Option Trim Type Height Width Surface Finish Group Surface Finish Trim Finish Group Trim Finish Mount Option Tray Option	WB/48.00000/48.00000	02-1-Whiteboard
2	1	AWQEA45	Brace-Worksurface, 45W	Y		BR/45	02-OFF 3A
3	2	AWQF	Bracket-Flush mount	Y		FMB	02-OFF 3A
4	1	EBBS153636P	Bookcase-Stacking, Open, 15D x 36W x 36 5/8H 3832: QC/OP FIGURED ANEGRE ** OPTIONS ** STD:UNFINISHED EXTERIOR BACK STD:3/4 INCH SHELF Panel-Center support, 11D x 27 1/2H 3832: QC/OP FIGURED ANEGRE	Y	BASIC ** OPTIONS ** BACK OPT SHELF OPT	SBC/3H/36	02-OFF 3A
5	1	E6NC1127	Panel-Center support, 11D x 27 1/2H 3832: QC/OP FIGURED ANEGRE	Y	BASIC	CP	02-OFF 3A
6	1	E6NLT231527L	Panel-End, Plinth base, Left hand, L leg, 23 1/4D x 15W x 27 1/2H 3832: QC/OP FIGURED ANEGRE	Y	BASIC	EP/23	02-OFF 3A
7	1	E6NLT231527R	Panel-End, Plinth base, Right hand, L leg, 23 1/4D x 15W x 27 1/2H *BASIC: WOOD PREMIUM 3 QC/OP FIGURED ANEGRE	Y	WOOD 3 3832	EP/23	02-OFF 3A
8	2	E6OS153015P	Overhead-Single high, Open, 15D x 30W x 15H 3832: QC/OP FIGURED ANEGRE ** OPTIONS ** WALL MOUNT BRACKET	Y	BASIC ** OPTIONS ** BRACKETS	OC/30/15H	02-OFF 3A
9	1	E6OS154215H	Overhead-Single high, Hinged doors, 15 7/8D x 42W x 15H 3832: QC/OP FIGURED ANEGRE ** OPTIONS ** *OPT:DOOR OPTION WOOD DOOR 3832: QC/OP FIGURED ANEGRE SOFT CLOSE *OPT:LOCK OPTION LOCKING WOOD AND LAMINATE STANDARD KEY PLUG LOCKING FINISH (REQUIRED) 9201: POLISHED CHROME	Y	BASIC ** OPTIONS ** DOOR OPT WD DOOR DOOR OPN CLS LOCK OPT LOCKOPT KEY OPT LOCKING LOCK	OC/42/15H	02-OFF 3A

# OFF 3A

empire office

Project: SUNY

#	Qty	Part Number	Description	Complete	Options	Ind. Tag	General Markings
10	1	E6QR6227T	WALL MOUNT BRACKET Column-Rectangle, 6D x 1 3/4W x 27 1/2H 8043: CLEAR ANODIZED ALUM Worksurface-Desk, 30D x 66W	Y	BRACKETS BASIC	RC	02-OFF 3A
11	1	E6WD3066	3832: QC/OP FIGURED ANEGRE ** OPTIONS ** *OPT:WORKSURFACE PROFILE OPTIONS WOOD WS WOOD SQUARE	Y	TOP-SURF ** OPTIONS ** PROF OPT WD PROF	30/66	02-OFF 3A
12	1	E6WS2478	3832: QC/OP FIGURED ANEGRE ** OPTIONS ** *OPT:WORKSURFACE PROFILE OPTIONS WOOD WS WOOD SQUARE STD:NO SCALLOPS	Y	TOP-SURF ** OPTIONS ** PROF OPT WD PROF SCAL OPT GRN OPT	24/78	02-OFF 3A
13	1	E6WS2496	Worksurface-Straight, 24D x 96W 3832: QC/OP FIGURED ANEGRE ** OPTIONS ** *OPT:WORKSURFACE PROFILE OPTIONS WOOD WS WOOD SQUARE *OPT:GROMMET OPTIONS ROUND GROMMETS CENTER- ROUND GROMMET 4799: PLATINUM METALLIC STD:NO SCALLOPS	Y	TOP-SURF ** OPTIONS ** PROF OPT WD PROF GRMT OPT RND GRMT EGRC GROMMET SCAL OPT GRN OPT	24/96	02-OFF 3A
14	2	E6NM3027	Panel-Modesty, 30W x 27 1/2H 3832: QC/OP FIGURED ANEGRE Panel-Modesty, 48W x 12H 3832: QC/OP FIGURED ANEGRE ** OPTIONS ** *OPT:BRACKET OPTIONS HANGING BRACKET 4799: PLATINUM METALLIC	Y	BASIC ** OPTIONS ** BRACKETS HANGING BRACKET	MP/30	02-OFF 3A
15	1	E6NM4812	Panel-Modesty, 48W x 12H 3832: QC/OP FIGURED ANEGRE ** OPTIONS ** *OPT:BRACKET OPTIONS HANGING BRACKET 4799: PLATINUM METALLIC	Y	BASIC ** OPTIONS ** BRACKETS HANGING BRACKET	MP/48	02-OFF 3A
16	1	E6IT3021M	Tackboard, Wall mount application, 30W x 21 1/2H P530: ASTI	Y	TKBD	TB/3021	02-OFF 3A
17	1	E6IT7221M	Tackboard, Wall mount application, 72W x 21 1/2H P530: ASTI	Y	TKBD	TB/7221	02-OFF 3A
18	1	E6KW241265L	Wardrobe, Plinth base, Door hinged left hand, 24D x 12W x 65 5/8H 3832: QC/OP FIGURED ANEGRE 9201: POLISHED CHROME	Y	BASIC LOCK	WR/65	02-OFF 3A

# OFF 3A

empire office

Project: SUNY

#	Qty	Part Number	Description	Complete	Options	Ind. Tag	General Markings
19	2	E6PD173027F	Pedestal, Plinth base, File / file, 17 1/4D x 30W x 27 1/2H 3832: QC/OP FIGURED ANEGRE 3832: QC/OP FIGURED ANEGRE 9201: POLISHED CHROME *KEYS:KEY PLUG ** OPTIONS ** *OPT:PULL OPTION PULLS FOR WD FRT BAR PULL 9212: SILVER	Y	KEYS ** OPTIONS ** DOOR OPT WD DOOR DOOR PULL OPT PULL WD BAR PULL PULL	FF	02-OFF 3A
20	1	E6PM201523	COUNTERWEIGHT PKG Pedestal-Mobile, Plinth base, 22 3/4D x 15W x 23H 3832: QC/OP FIGURED ANEGRE 3832: QC/OP FIGURED ANEGRE 9201: POLISHED CHROME *KEYS:KEY PLUG ** OPTIONS ** *OPT:PULL OPTION PULLS FOR WD FRT BAR PULL 9212: SILVER	Y	BASIC FRONT LOCK KEYS ** OPTIONS ** PULL OPT PULL WD BAR PULL PULL DWR CON TOP OPT	BF	02-OFF 3A
21	1	E6LF243629T	STD:DOVETAIL CONSTRUCTION STD:NO CUSHION TOP Lateral file, Plinth base, 2 drawers, 24D x 36W x 29H 3832: QC/OP FIGURED ANEGRE 3832: QC/OP FIGURED ANEGRE 9201: POLISHED CHROME *KEYS:KEY PLUG ** OPTIONS ** *OPT:PULL OPTION PULLS FOR WD FRT BAR PULL	Y	BASIC FRONT LOCK KEYS ** OPTIONS ** PULL OPT PULL WD BAR PULL	LF/2/36	02-OFF 3A

# OFF 3A

Project: SUNY

empire office

#	Qty	Part Number	Description	Complete	Options	Ind. Tag	General Markings
			9212: SILVER STD:DOVETAIL CONSTRUCTION *OPT:WORKSURFACE PROFILE OPTIONS WOOD WS WOOD SQUARE		PULL DWR CON PROF OPT WD PROF		
22	1	CLEXX30	Base-Table, Metal, X flex, 30D x 30W x 27 1/2H *BASE:METALLIC PAINT PLATINUM METALLIC	Y	METALLIC 4799	XB/30	02-OFF 3A
23	1	CWFR42	Table-Round, Flat edge profile, 42 dia, Wood 3832: QC/OP FIGURED ANEGRE	Y	TOP-SURF	42	02-OFF 3A



# OFF 3B

empire office

Project: SUNY

#	Qty	Part Number	Description	Complete	Options	Ind. Tag	General Markings
1	1	PWBWBTBRD	Whiteboard-Premium Parametric Edge Series 48.00000 48.00000 Ceramic 7655: E3 ENVIRONMENTAL CERAMICSTEEL Anodized Aluminum 8043: CLEAR ANODIZED ALUM Wall Mount With Tray	Y	Size Option Trim Type Height Width Surface Finish Group Surface Finish Trim Finish Group Trim Finish Mount Option Tray Option	WB/48.00000/48.00000	03.1-Whiteboard
2	1	AWQOE45	Brace-Worksurface, 45W	Y		BR/45	03-OFF 3B
3	1	AWQOF	Bracket-Flush mount	Y		FMB	03-OFF 3B
4	1	EBBS151536P	Bookcase-Stacking, Open, 15D x 15W x 36 5/8H 3832: QC/OP FIGURED ANEGRE ** OPTIONS ** STD:UNFINISHED EXTERIOR BACK STD:3/4 INCH SHELF	Y	BASIC ** OPTIONS ** BACK OPT SHELF OPT	SBC/3H/15	03-OFF 3B
5	1	E6NC1127	Panel-Center support, 11D x 27 1/2H 3832: QC/OP FIGURED ANEGRE	Y	BASIC	CP	03-OFF 3B
6	1	E6NLT231527L	Panel-End, Plinth base, Left hand, L leg, 23 1/4D x 15W x 27 1/2H 3832: QC/OP FIGURED ANEGRE	Y	BASIC	EP/23	03-OFF 3B
7	1	E6NLT231527R	Panel-End, Plinth base, Right hand, L leg, 23 1/4D x 15W x 27 1/2H 3832: QC/OP FIGURED ANEGRE	Y	BASIC	EP/23	03-OFF 3B
8	1	E6OS157215H	Overhead-Single high, Hinged doors, 15 7/8D x 72W x 15H 3832: QC/OP FIGURED ANEGRE ** OPTIONS ** *OPT:DOOR OPTION WOOD DOOR 3832: QC/OP FIGURED ANEGRE SOFT CLOSE *OPT:LOCK OPTION LOCKING WOOD AND LAMINATE STANDARD KEY PLUG LOCKING FINISH (REQUIRED) 9201: POLISHED CHROME	Y	BASIC ** OPTIONS ** DOOR OPT WD DOOR DOOR OPN CLS LOCK OPT LOCKOPT KEY OPT LOCKING LOCK BRACKETS	OC/72/15H	03-OFF 3B
9	1	E6QR6227T	WALL MOUNT BRACKET Column-Rectangle, 6D x 1 3/4W x 27 1/2H 8043: CLEAR ANODIZED ALUM	Y	BASIC	RC	03-OFF 3B
10	1	E6WD3066	Worksurface-Desk, 30D x 66W 3832: QC/OP FIGURED ANEGRE	Y	TOP-SURF	30/66	03-OFF 3B

# OFF 3B

Project: SUNY

empire office

#	Qty	Part Number	Description	Complete	Options	Ind. Tag	General Markings
11	1	E6WS2466	** OPTIONS ** *OPT:WORKSURFACE PROFILE OPTIONS WOOD WS WOOD SQUARE Worksurface-Straight, 24D x 66W 3832: QC/OP FIGURED ANEGRE ** OPTIONS ** *OPT:WORKSURFACE PROFILE OPTIONS WOOD WS WOOD SQUARE STD:NO SCALLOPS STD:LONG GRAIN Special GW051692 GW00104215 75	Y	** OPTIONS ** PROF OPT WD PROF TOP-SURF ** OPTIONS ** PROF OPT WD PROF SCAL OPT GRN OPT EQN EQP LPA ISF	SPCL: 24x(62)	03-OFF 3B
12	1	E6WS2496	Special Size: A=24" D X (B=62" W) Worksurface-Straight, 24D x 96W 3832: QC/OP FIGURED ANEGRE ** OPTIONS ** *OPT:WORKSURFACE PROFILE OPTIONS WOOD WS WOOD SQUARE *OPT:GROMMET OPTIONS ROUND GROMMETS CENTER- ROUND GROMMET 4799: PLATINUM METALLIC STD:NO SCALLOPS STD:LONG GRAIN Support-Plate, 14D Panel-Modesly, 48W x 12H 3832: QC/OP FIGURED ANEGRE ** OPTIONS ** *OPT:BRACKET OPTIONS HANGING BRACKET 4799: PLATINUM METALLIC	Y	TOP-SURF ** OPTIONS ** PROF OPT WD PROF GRMT OPT RND GRMT EGRC GROMMET SCAL OPT GRN OPT	24/96	03-OFF 3B
13	1	TS714WSP	Support-Plate, 14D	Y		14	03-OFF 3B
14	1	E6NM4812	Panel-Modesly, 48W x 12H 3832: QC/OP FIGURED ANEGRE ** OPTIONS ** *OPT:BRACKET OPTIONS HANGING BRACKET 4799: PLATINUM METALLIC	Y	BASIC ** OPTIONS ** BRACKETS HANGING BRACKET	MP/48	03-OFF 3B
15	1	E6IT7221M	Tackboard, Wall mount application, 72W x 21 1/2H P530: ASTI	Y	TKBD	TB/7221	03-OFF 3B
16	2	E6BF153065P	Bookcase-Freesstanding, Plinth base, Open, 15D x 30W x 65 5/8H 3832: QC/OP FIGURED ANEGRE ** OPTIONS ** STD:3/4 INCH SHELF	Y	BASIC ** OPTIONS ** SHELF OPT	BC/5H/30	03-OFF 3B
17	1	E6KW241265L	Wardrobe, Plinth base, Door hinged left hand, 24D x 12W x 65 5/8H 3832: QC/OP FIGURED ANEGRE	Y	BASIC	WR/65	03-OFF 3B

# OFF 3B

empire office

Project: SUNY

#	Qty	Part Number	Description	Complete	Options	Ind. Tag	General Markings
18	1	E6PDD223027P	9212: SILVER Pedestal, Plinth base, Open, 22 1/4D x 30W x 27 1/2H 3832: QC/OP FIGURED ANEGRE ** OPTIONS ** STD:3/4 INCH SHELF	Y	LOCK KEYS ** OPTIONS ** DOOR OPT WD DOOR DOOR PULL OPT PULL WD BAR PULL PULL	BC/2H/30	03-OFF 3B
19	1	E6PDD233027F	9212: SILVER Pedestal, Plinth base, File / file, 23 1/4D x 30W x 27 1/2H 3832: QC/OP FIGURED ANEGRE 3832: QC/OP FIGURED ANEGRE 9201: POLISHED CHROME *KEYS:KEY PLUG ** OPTIONS ** *OPT:PULL OPTION PULLS FOR WD FRT BAR PULL	Y	BASIC FRONT LOCK KEYS ** OPTIONS ** PULL OPT PULL WD BAR PULL PULL DWR CON WGT PKG	FF	03-OFF 3B
20	1	E6PM201523	9212: SILVER STD:DOVETAIL CONSTRUCTION COUNTERWEIGHT PKG Pedestal-Mobile, Plinth base, 22 3/4D x 15W x 23H 3832: QC/OP FIGURED ANEGRE 3832: QC/OP FIGURED ANEGRE 9201: POLISHED CHROME *KEYS:KEY PLUG ** OPTIONS ** *OPT:PULL OPTION PULLS FOR WD FRT BAR PULL	Y	BASIC FRONT LOCK KEYS ** OPTIONS ** PULL OPT PULL WD BAR PULL PULL DWR CON TOP OPT	BF	03-OFF 3B
21	1	CFLEXX30	9212: SILVER STD:DOVETAIL CONSTRUCTION STD:NO CUSHION TOP Base-Table, Metal, X flex, 30D x 30W x 27 1/2H *BASE:METALLIC PAINT PLATINUM METALLIC	Y	METALLIC 4799	XB/30	03-OFF 3B

# OFF 3B

Project: SUNY

empire office

#	Qty	Part Number	Description	Complete	Options	Ind. Tag	General Markings
22	1	CWFR42	Table-Round, Flat edge profile, 42 dia, Wood 3832: QC/OP FIGURED ANEGRE	Y	TOP-SURF	42	03-OFF 3B

# OFF 3C

empire office

Project: SUNY

#	Qty	Part Number	Description	Complete	Options	Ind. Tag	General Markings
1	1	PWBWTRD	Whiteboard-Premium Parametric Edge Series 48.00000 48.00000 Ceramic 7655: E3 ENVIRONMENTAL CERAMICSTEEL Anodized Aluminum 8043: CLEAR ANODIZED ALUM Wall Mount With Tray	Y	Size Option Trim Type Height Width Surface Finish Group Surface Finish Trim Finish Group Trim Finish Mount Option Tray Option	WB/48.00000/48.00000	04-1-Whiteboard
2	1	AWAO141421V	Organizer-Desktop, Vertical organizer, 14D x 14W x 21H 3832: QC/OP FIGURED ANEGRE	Y	BASIC	VO/14	04-OFF 3C
3	1	AWQE45	Brace-Worksurface, 45W Bracket-Flush mount	Y	BASIC	BR/45	04-OFF 3C
4	1	AWQF	Bookcase-Stacking, Open, 15D x 36W x 36 5/8H 3832: QC/OP FIGURED ANEGRE	Y	BASIC	FMB SBC/3H/36	04-OFF 3C 04-OFF 3C
5	1	EBBS153636P	** OPTIONS ** STD:UNFINISHED EXTERIOR BACK STD:3/4 INCH SHELF Panel-Center support, 11D x 27 1/2H 3832: QC/OP FIGURED ANEGRE	Y	** OPTIONS ** BACK OPT SHELF OPT	CP	04-OFF 3C
6	1	E6NC1127	Panel-End, Plinth base, Right hand, L leg, 17 1/4D x 15W x 27 1/2H *BASIC:WOOD PREMIUM 3 QC/OP FIGURED ANEGRE	Y	BASIC	EP/17	04-OFF 3C
7	1	E6NLT171527R	Overhead-Single high, Hinged doors, 15 7/8D x 78W x 15H 3832: QC/OP FIGURED ANEGRE ** OPTIONS ** *OPT:DOOR OPTION WOOD DOOR 3832: QC/OP FIGURED ANEGRE	Y	BASIC ** OPTIONS ** DOOR OPT WD DOOR DOOR OPN CLS LOCK OPT LOCKOPT KEY OPT LOCKING LOCK BRACKETS	OC/78/15H	04-OFF 3C
8	1	E6OS157815H	SOFT CLOSE *OPT:LOCK OPTION LOCKING WOOD AND LAMINATE STANDARD KEY PLUG LOCKING FINISH (REQUIRED) 9201: POLISHED CHROME WALL MOUNT BRACKET	Y	LOCKING LOCK BRACKETS		
9	1	E6QR6227T	Column-Rectangle, 6D x 1 3/4W x 27 1/2H 8043: CLEAR ANODIZED ALUM Worksurface-Desk, 30D x 66W	Y	BASIC	RC	04-OFF 3C
10	1	E6WD3066	Worksurface-Desk, 30D x 66W	Y	BASIC	30/66	04-OFF 3C

# OFF 3C

empire.office

Project: SUNY

#	Qty	Part Number	Description	Complete	Options	Ind. Tag	General Markings
11	1	E6WS2442	3832: QC/OP FIGURED ANEGRE ** OPTIONS ** *OPT:WORKSURFACE PROFILE OPTIONS WOOD WS WOOD SQUARE Worksurface-Straight, 24D x 42W 3832: QC/OP FIGURED ANEGRE ** OPTIONS ** *OPT:WORKSURFACE PROFILE OPTIONS WOOD WS WOOD SQUARE STD:NO SCALLOPS STD:LONG GRAIN Worksurface-Straight, 24DL x 90WL 3832: QC/OP FIGURED ANEGRE ** OPTIONS **	Y	TOP-SURF ** OPTIONS ** PROF OPT WD PROF TOP-SURF ** OPTIONS ** PROF OPT WD PROF SCAL OPT GRN OPT	24/42	04-OFF 3C
12	1	E6WS2490	3832: QC/OP FIGURED ANEGRE ** OPTIONS ** *OPT:WORKSURFACE PROFILE OPTIONS WOOD WS WOOD SQUARE *OPT:GROMMET OPTIONS ROUND GROMMETS CENTER- ROUND GROMMET 4799: PLATINUM METALLIC STD:NO SCALLOPS STD:LONG GRAIN Panel-M/odesty, 30W x 27 1/2H 3832: QC/OP FIGURED ANEGRE Panel-M/odesty, 48W x 12H 3832: QC/OP FIGURED ANEGRE ** OPTIONS ** *OPT:BRACKET OPTIONS HANGING BRACKET 4799: PLATINUM METALLIC Tackboard, Wall mount application, 78W x 21 1/2H P530: ASTI	Y	TOP-SURF ** OPTIONS ** PROF OPT WD PROF GRMT OPT RND GRMT EGRC GROMMET SCAL OPT GRN OPT	24/90	04-OFF 3C
13	2	E6NM3027	Panel-M/odesty, 30W x 27 1/2H 3832: QC/OP FIGURED ANEGRE Panel-M/odesty, 48W x 12H 3832: QC/OP FIGURED ANEGRE ** OPTIONS ** *OPT:BRACKET OPTIONS HANGING BRACKET 4799: PLATINUM METALLIC Tackboard, Wall mount application, 78W x 21 1/2H P530: ASTI	Y	BASIC ** OPTIONS ** BRACKETS HANGING BRACKET	MP/30	04-OFF 3C
14	1	E6NM4812	Panel-M/odesty, 48W x 12H 3832: QC/OP FIGURED ANEGRE ** OPTIONS ** *OPT:BRACKET OPTIONS HANGING BRACKET 4799: PLATINUM METALLIC Tackboard, Wall mount application, 78W x 21 1/2H P530: ASTI	Y	BASIC ** OPTIONS ** BRACKETS HANGING BRACKET	MP/48	04-OFF 3C
15	1	E6IT7821M	Tackboard, Wall mount application, 78W x 21 1/2H P530: ASTI	Y	TKBD	TB/7821	04-OFF 3C
16	1	E6KW241265R	Wardrobe, Plinth base, Door hinged right hand, 24D x 12W x 65 5/8H 3832: QC/OP FIGURED ANEGRE 9201: POLISHED CHROME *KEYS:KEY PLUG ** OPTIONS ** *OPT:DOOR OPTION WOOD DOOR 3832: QC/OP FIGURED ANEGRE *OPT:PULL OPTION	Y	BASIC LOCK KEYS ** OPTIONS ** DOOR OPT WD DOOR DOOR PULL OPT	WR/65	04-OFF 3C

# OFF 3C

empire office

Project: SUNY

#	Qty	Part Number	Description	Complete	Options	Ind. Tag	General Markings
17	1	E6PPD163027P	PULLS FOR WD DR BAR PULL 9212: SILVER Pedestal, Plinth base, Open, 16 1/4D x 30W x 27 1/2H 3832: QC/OP FIGURED ANEGRE ** OPTIONS **	Y	PULL WD BAR PULL PULL	BC/2H/30	04-OFF 3C
18	1	E6PPD173027F	STD:3/4 INCH SHELF Pedestal, Plinth base, File / file, 17 1/4D x 30W x 27 1/2H 3832: QC/OP FIGURED ANEGRE 3832: QC/OP FIGURED ANEGRE 9201: POLISHED CHROME *KEYS:KEY PLUG ** OPTIONS **	Y	BASIC FRONT LOCK KEYS ** OPTIONS **	FF	04-OFF 3C
19	1	E6PM201523	COUNTERWEIGHT PKG Pedestal-Mobile, Plinth base, 22 3/4D x 15W x 23H 3832: QC/OP FIGURED ANEGRE 3832: QC/OP FIGURED ANEGRE 9201: POLISHED CHROME *KEYS:KEY PLUG ** OPTIONS **	Y	PULL OPT PULL WD BAR PULL PULL DWR CON TOP OPT	BF	04-OFF 3C
20	1	E6LF243629T	STD:DOVETAIL CONSTRUCTION STD:NO CUSHION TOP Lateral file, Plinth base, 2 drawers, 24D x 36W x 29H 3832: QC/OP FIGURED ANEGRE 3832: QC/OP FIGURED ANEGRE 9201: POLISHED CHROME *KEYS:KEY PLUG ** OPTIONS **	Y	BASIC FRONT LOCK KEYS ** OPTIONS **	LF/2/36	04-OFF 3C
			*OPT:PULL OPTION PULLS FOR WD FRT BAR PULL 9212: SILVER STD:DOVETAIL CONSTRUCTION		PULL OPT PULL WD BAR PULL PULL DWR CON		

# OFF 3C

Project: SUNY

empire office

#	Qty	Part Number	Description	Complete	Options	Ind. Tag	General Markings
21	1	CFLEXX30	*OPT:WORKSURFACE PROFILE OPTIONS WOOD WS WOOD SQUARE Base-Table, Metal, X flex: 30D x 30W x 27 1/2H *BASE:METALLIC PAINT PLATINUM METALLIC	Y	PROF OPT WD PROF METALLIC 4799	XB/30	04-OFF 3C
22	1	CWFR42	Table-Round, Flat edge profile, 42 dia, Wood 3832: QC/OP FIGURED ANEGRE	Y	TOP-SURF	42	04-OFF 3C



# OFF 3C

empire office

Project: SUNY

#	Qty	Part Number	Description	Complete	Options	Ind. Tag	General Markings
1	1	PWBWBTBRD	Whiteboard-Premium Parametric Edge Series 48.00000 48.00000 Ceramic 7655: E3 ENVIRONMENTAL CERAMICSTEEL Anodized Aluminum 8043: CLEAR ANODIZED ALUM Wall Mount With Tray	Y	Size Option Trim Type Height Width Surface Finish Group Surface Finish Trim Finish Group Trim Finish Mount Option Tray Option	WB/48.00000/48.00000	04.1-Whiteboard
2	1	AWAO141421V	Organizer-Desktop, Vertical organizer, 14D x 14W x 21H 3832: QC/OP FIGURED ANEGRE	Y	BASIC	VO/14	04-OFF 3C
3	1	AWQE45	Brace-Worksurface, 45W Bracket-Flush mount	Y	BASIC	BR/45	04-OFF 3C
4	1	AWQF	Bookcase-Stacking, Open, 15D x 36W x 36 5/8H 3832: QC/OP FIGURED ANEGRE	Y	BASIC	FMB SBC/3H/36	04-OFF 3C 04-OFF 3C
5	1	E6BS153636P	3832: QC/OP FIGURED ANEGRE ** OPTIONS ** STD:UNFINISHED EXTERIOR BACK STD:3/4 INCH SHELF Panel-Center support, 11D x 27 1/2H 3832: QC/OP FIGURED ANEGRE	Y	BASIC ** OPTIONS ** BACK OPT SHELF OPT	CP	04-OFF 3C
6	1	E6NC1127	Panel-End, Plinth base, Right hand, L leg, 17 1/4D x 15W x 27 1/2H *BASIC:WOOD PREMIUM 3 QC/OP FIGURED ANEGRE	Y	BASIC WOOD 3 3832	EP/17	04-OFF 3C
7	1	E6NLT171527R	Overhead-Single high, Hinged doors, 15 7/8D x 78W x 15H 3832: QC/OP FIGURED ANEGRE ** OPTIONS ** *OPT:DOOR OPTION WOOD DOOR 3832: QC/OP FIGURED ANEGRE	Y	BASIC ** OPTIONS ** DOOR OPT WD DOOR DOOR OPN CLS LOCK OPT LOCKOPT KEY OPT LOCKING LOCK BRACKETS	OC/78/15H	04-OFF 3C
8	1	E6OS157815H	SOFT CLOSE *OPT:LOCK OPTION LOCKING WOOD AND LAMINATE STANDARD KEY PLUG LOCKING FINISH (REQUIRED) 9201: POLISHED CHROME WALL MOUNT BRACKET	Y	BASIC	RC	04-OFF 3C
9	1	E6QR6227T	Column-Rectangle, 6D x 1 3/4W x 27 1/2H 8043: CLEAR ANODIZED ALUM Worksurface-Desk, 30D x 66W	Y	BASIC	30/66	04-OFF 3C
10	1	E6WD3066		Y			

# OFF 3C

Project: SUNY

empire office

#	Qty	Part Number	Description	Complete	Options	Ind. Tag	General Markings
11	1	E6WS2442	3832: QC/OP FIGURED ANEGRE ** OPTIONS ** *OPT:WORKSURFACE PROFILE OPTIONS WOOD WS WOOD SQUARE Worksurface-Straight, 24D x 42W 3832: QC/OP FIGURED ANEGRE ** OPTIONS ** *OPT:WORKSURFACE PROFILE OPTIONS WOOD WS WOOD SQUARE STD:NO SCALLOPS STD:LONG GRAIN Worksurface-Straight, 24DL x 90WL 3832: QC/OP FIGURED ANEGRE ** OPTIONS **	Y	TOP-SURF ** OPTIONS ** PROF OPT WD PROF TOP-SURF ** OPTIONS ** PROF OPT WD PROF SCAL OPT GRN OPT	24/42	04-OFF 3C
12	1	E6WS2490	3832: QC/OP FIGURED ANEGRE ** OPTIONS ** *OPT:WORKSURFACE PROFILE OPTIONS WOOD WS WOOD SQUARE *OPT:GROMMET OPTIONS ROUND GROMMETS CENTER- ROUND GROMMET 4799: PLATINUM METALLIC STD:NO SCALLOPS STD:LONG GRAIN Panel-Modesty, 30W x 27 1/2H 3832: QC/OP FIGURED ANEGRE Panel-Modesty, 48W x 12H 3832: QC/OP FIGURED ANEGRE ** OPTIONS ** *OPT:BRACKET OPTIONS HANGING BRACKET 4799: PLATINUM METALLIC Tackboard, Wall mount application, 78W x 21 1/2H P530: ASTI	Y	TOP-SURF ** OPTIONS ** PROF OPT WD PROF GRMT OPT RND GRMT EGRC GROMMET SCAL OPT GRN OPT	24/90	04-OFF 3C
13	2	E6NM3027	Panel-Modesty, 30W x 27 1/2H 3832: QC/OP FIGURED ANEGRE Panel-Modesty, 48W x 12H 3832: QC/OP FIGURED ANEGRE ** OPTIONS ** *OPT:BRACKET OPTIONS HANGING BRACKET 4799: PLATINUM METALLIC Tackboard, Wall mount application, 78W x 21 1/2H P530: ASTI	Y	BASIC ** OPTIONS ** BRACKETS HANGING BRACKET	MP/30	04-OFF 3C
14	1	E6NM4812	Panel-Modesty, 48W x 12H 3832: QC/OP FIGURED ANEGRE ** OPTIONS ** *OPT:BRACKET OPTIONS HANGING BRACKET 4799: PLATINUM METALLIC Tackboard, Wall mount application, 78W x 21 1/2H P530: ASTI	Y	BASIC ** OPTIONS ** BRACKETS HANGING BRACKET	MP/48	04-OFF 3C
15	1	E6IT7821M	Wardrobe, Plinth base, Door hinged right hand, 24D x 12W x 65 5/8H 3832: QC/OP FIGURED ANEGRE 9201: POLISHED CHROME *KEYS:KEY PLUG ** OPTIONS ** *OPT:DOOR OPTION WOOD DOOR 3832: QC/OP FIGURED ANEGRE *OPT:PULL OPTION	Y	TKBD BASIC LOCK KEYS ** OPTIONS ** DOOR OPT WD DOOR DOOR PULL OPT	TB/7821	04-OFF 3C
16	1	E6KW241265R	Wardrobe, Plinth base, Door hinged right hand, 24D x 12W x 65 5/8H 3832: QC/OP FIGURED ANEGRE 9201: POLISHED CHROME *KEYS:KEY PLUG ** OPTIONS ** *OPT:DOOR OPTION WOOD DOOR 3832: QC/OP FIGURED ANEGRE *OPT:PULL OPTION	Y	TKBD BASIC LOCK KEYS ** OPTIONS ** DOOR OPT WD DOOR DOOR PULL OPT	WR/65	04-OFF 3C

# OFF 3C

Project: SUNY

#	Qty	Part Number	Description	Complete	Options	Ind. Tag	General Markings
17	1	E6PD163027P	PULLS FOR WD DR BAR PULL 9212: SILVER Pedestal, Plinth base, Open, 16 1/4D x 30W x 27 1/2H 3832: QC/OP FIGURED ANEGRE **OPTIONS **	Y	PULL WD BAR PULL PULL BASIC **OPTIONS ** SHELF OPT	BC/2H/30	04-OFF 3C
18	1	E6PD173027F	STD:3/4 INCH SHELF Pedestal, Plinth base, File / file, 17 1/4D x 30W x 27 1/2H 3832: QC/OP FIGURED ANEGRE 3832: QC/OP FIGURED ANEGRE 9201: POLISHED CHROME *KEYS:KEY PLUG **OPTIONS ** *OPT:PULL OPTION PULLS FOR WD FRT BAR PULL 9212: SILVER COUNTERWEIGHT PKG Pedestal-Mobile, Plinth base, 22 3/4D x 15W x 23H 3832: QC/OP FIGURED ANEGRE 3832: QC/OP FIGURED ANEGRE 9201: POLISHED CHROME *KEYS:KEY PLUG **OPTIONS ** *OPT:PULL OPTION PULLS FOR WD FRT BAR PULL 9212: SILVER STD:DOVETAIL CONSTRUCTION	Y	BASIC FRONT LOCK KEYS **OPTIONS ** PULL OPT PULL WD BAR PULL PULL DWR CON TOP OPT	FF	04-OFF 3C
20	1	E6LF243629T	STD:NO CUSHION TOP Lateral file, Plinth base, 2 drawers, 24D x 36W x 29H 3832: QC/OP FIGURED ANEGRE 3832: QC/OP FIGURED ANEGRE 9201: POLISHED CHROME *KEYS:KEY PLUG **OPTIONS ** *OPT:PULL OPTION PULLS FOR WD FRT BAR PULL 9212: SILVER STD:DOVETAIL CONSTRUCTION	Y	BASIC FRONT LOCK KEYS **OPTIONS ** PULL OPT PULL WD BAR PULL PULL DWR CON	LF/2/36	04-OFF 3C

# OFF 3C

Project: SUNY

empire office

#	Qty	Part Number	Description	Complete	Options	Ind. Tag	General Markings
21	1	CFLXXX30	*OPT:WORKSURFACE PROFILE OPTIONS WOOD WS WOOD SQUARE Base-Table, Metal, X flex, 30D x 30W x 27 1/2H *BASE:METALLIC PAINT PLATINUM METALLIC	Y	PROF OPT WD PROF METALLIC 4799	XB/30	04-OFF 3C
22	1	CWFR42	Table-Round, Flat edge profile, 42 dia, Wood 3832: QC/OP FIGURED ANEGRE	Y	TOP-SURF	42	04-OFF 3C

# OFF 4

empire office

Project: SUNY

#	Qty	Part Number	Description	Complete	Options	Ind. Tag	General Markings
1	1	PWBWTRBD	Whiteboard-Premium Parametric Edge Series 48.00000 48.00000 Ceramic 7655: E3 ENVIRONMENTAL CERAMICSTEEL Anodized Aluminum 8043: CLEAR ANODIZED ALUM Wall Mount With Tray	Y	Size Option Trim Type Height Width Surface Finish Group Surface Finish Trim Finish Group Trim Finish Mount Option Tray Option	WB/48.00000/48.00000	05-1-Whiteboard
2	1	AWQEA5	Brace-Worksurface, 45W	Y	BASIC	BR/45	05-OFF 4
3	1	E6BS153036D	Bookcase-Stacking, Double doors, 15 7/8D x 30W x 36 5/8H 3832: QC/OP FIGURED ANEGRE ** OPTIONS ** *OPT:DOOR OPTION WOOD DOOR 3832: QC/OP FIGURED ANEGRE *OPT:PULL OPTION PULLS FOR WD DR BEAM PULL 8043: CLEAR ANODIZED ALUM STD:UNFINISHED EXTERIOR BACK STD:3/4 INCH SHELF Panel-End, Plinth base, Right hand, L leg, 23 1/4D x 15W x 27 1/2H 3832: QC/OP FIGURED ANEGRE Overhead-Single high, Hinged doors, 15 7/8D x 60W x 15H 3832: QC/OP FIGURED ANEGRE ** OPTIONS ** *OPT:DOOR OPTION WOOD DOOR 3832: QC/OP FIGURED ANEGRE SOFT CLOSE *OPT:LOCK OPTION LOCKING WOOD AND LAMINATE STANDARD KEY PLUG LOCKING FINISH (REQUIRED) 9201: POLISHED CHROME WALL MOUNT BRACKET Overhead-Single high, Open, 15D x 60W x 15H 3832: QC/OP FIGURED ANEGRE	Y	BASIC ** OPTIONS ** DOOR OPT WD DOOR DOOR PULL OPT PULL WD BEAMPULL PULL BACK OPT SHELF OPT	SBC/3H/30	05-OFF 4
4	1	E6NLT231527R	Panel-End, Plinth base, Right hand, L leg, 23 1/4D x 15W x 27 1/2H 3832: QC/OP FIGURED ANEGRE Overhead-Single high, Hinged doors, 15 7/8D x 60W x 15H 3832: QC/OP FIGURED ANEGRE ** OPTIONS ** *OPT:DOOR OPTION WOOD DOOR 3832: QC/OP FIGURED ANEGRE SOFT CLOSE *OPT:LOCK OPTION LOCKING WOOD AND LAMINATE STANDARD KEY PLUG LOCKING FINISH (REQUIRED) 9201: POLISHED CHROME WALL MOUNT BRACKET Overhead-Single high, Open, 15D x 60W x 15H 3832: QC/OP FIGURED ANEGRE	Y	BASIC ** OPTIONS ** DOOR OPT WD DOOR DOOR OPN CLS LOCK OPT LOCKOPT KEY OPT LOCKING LOCK BRACKETS	EP/23	05-OFF 4
5	1	E6OS156015H	Overhead-Single high, Hinged doors, 15 7/8D x 60W x 15H 3832: QC/OP FIGURED ANEGRE ** OPTIONS ** *OPT:DOOR OPTION WOOD DOOR 3832: QC/OP FIGURED ANEGRE SOFT CLOSE *OPT:LOCK OPTION LOCKING WOOD AND LAMINATE STANDARD KEY PLUG LOCKING FINISH (REQUIRED) 9201: POLISHED CHROME WALL MOUNT BRACKET Overhead-Single high, Open, 15D x 60W x 15H 3832: QC/OP FIGURED ANEGRE	Y	BASIC ** OPTIONS ** DOOR OPT WD DOOR DOOR OPN CLS LOCK OPT LOCKOPT KEY OPT LOCKING LOCK BRACKETS	OC/60/15H	05-OFF 4
6	1	E6OS156015P	Overhead-Single high, Open, 15D x 60W x 15H 3832: QC/OP FIGURED ANEGRE	Y	BASIC	OC/60/15H	05-OFF 4

# OFF 4

empire office

Project: SUNY

#	Qty	Part Number	Description	Complete	Options	Ind. Tag	General Markings
7	4	E6QL27	** OPTIONS ** WALL MOUNT BRACKET Leg-Adjustable height, 27 1/2 to 30 1/2 8043: CLEAR ANODIZED ALUM Worksurface-Desk, 36D x 72W	Y	** OPTIONS ** BRACKETS BASIC	AHL	05-OFF 4
8	1	E6WD3672	** OPTIONS ** *OPT:WORKSURFACE PROFILE OPTIONS WOOD WS WOOD SQUARE Worksurface-Straight, 24D x 60W 3832: QC/OP FIGURED ANEGRE	Y	TOP-SURF ** OPTIONS ** PROF OPT WD PROF	36/72	05-OFF 4
9	1	E6WS2460	** OPTIONS ** *OPT:WORKSURFACE PROFILE OPTIONS WOOD WS WOOD SQUARE STD:NO SCALLOPS STD:LONG GRAIN Worksurface-Straight, 24D x 90WL 3832: QC/OP FIGURED ANEGRE	Y	TOP-SURF ** OPTIONS ** PROF OPT WD PROF SCAL OPT GRN OPT	24/60	05-OFF 4
10	1	E6WS2490	** OPTIONS ** *OPT:WORKSURFACE PROFILE OPTIONS WOOD WS WOOD SQUARE *OPT:GROMMET OPTIONS ROUND GROMMETS RIGHT - ROUND GROMMET 4799: PLATINUM METALLIC STD:NO SCALLOPS STD:LONG GRAIN Panel-Modesty, 60W x 12H 3832: QC/OP FIGURED ANEGRE	Y	TOP-SURF ** OPTIONS ** PROF OPT WD PROF GRMT OPT RND GRMT EGRR GROMMET SCAL OPT GRN OPT	24/90	05-OFF 4
11	1	E6NM6012	** OPTIONS ** *OPT:BRACKET OPTIONS HANGING BRACKET 4799: PLATINUM METALLIC 530: ASTI Tackboard, Wall mount application, 60W x 21 1/2H	Y	BASIC ** OPTIONS ** BRACKETS HANGING BRACKET	MP/60	05-OFF 4
12	2	E6IT6021M	** OPTIONS ** *OPT:BRACKET OPTIONS HANGING BRACKET 4799: PLATINUM METALLIC 530: ASTI Tackboard, Wall mount application, 60W x 21 1/2H	Y	TKBD	TB/6021	05-OFF 4
13	1	E6KW241265L	** OPTIONS ** *KEYS:KEY PLUG ** OPTIONS ** *OPT:DOOR OPTION Wardrobe, Plinth base, Door hinged left hand, 24D x 12W x 65 5/8H 3832: QC/OP FIGURED ANEGRE 9201: POLISHED CHROME	Y	BASIC LOCK KEYS ** OPTIONS ** DOOR OPT	WR/65	05-OFF 4

Project: SUNY

#	Qty	Part Number	Description	Complete	Options	Ind. Tag	General Markings
14	1	E6PD173027D	WOOD DOOR 3832: QC/OP FIGURED ANEGRE *OPT:PULL OPTION PULLS FOR WD DR BEAM PULL 8043: CLEAR ANODIZED ALUM Pedestal, Plinth base, Double doors, 17 1/4D x 30W x 27 1/2H 3832: QC/OP FIGURED ANEGRE 9201: POLISHED CHROME *KEYS:KEY PLUG ** OPTIONS ** *OPT:DOOR OPTION WOOD DOOR 3832: QC/OP FIGURED ANEGRE *OPT:PULL OPTION PULLS FOR WD DR BEAM PULL 8043: CLEAR ANODIZED ALUM	Y	WD DOOR DOOR PULL OPT PULL WD BEAMPULL PULL BASIC LOCK KEYS ** OPTIONS ** DOOR OPT WD DOOR DOOR PULL OPT PULL WD BEAMPULL PULL SHELL OPT	2H/30	05-OFF 4
15	1	E6PD173027F	STD:3/4 INCH SHELF Pedestal, Plinth base, File / file, 17 1/4D x 30W x 27 1/2H 3832: QC/OP FIGURED ANEGRE 3832: QC/OP FIGURED ANEGRE 9201: POLISHED CHROME *KEYS:KEY PLUG ** OPTIONS ** *OPT:PULL OPTION PULLS FOR WD FRT BEAM PULL 8043: CLEAR ANODIZED ALUM	Y	BASIC FRONT LOCK KEYS ** OPTIONS ** PULL OPT PULL WD BEAMPULL PULL WGHT PKG	FF	05-OFF 4
16	1	E6PD231527B	COUNTERWEIGHT PKG Pedestal, Plinth base, Box / box / file, 23 1/4D x 15W x 27 1/2H 3832: QC/OP FIGURED ANEGRE 3832: QC/OP FIGURED ANEGRE 9201: POLISHED CHROME *KEYS:KEY PLUG ** OPTIONS ** *OPT:PULL OPTION PULLS FOR WD FRT BEAM PULL 8043: CLEAR ANODIZED ALUM STD:DOVETAIL CONSTRUCTION	Y	BASIC FRONT LOCK KEYS ** OPTIONS ** PULL OPT PULL WD BEAMPULL PULL DWR CON	BBF	05-OFF 4

# OFF 4

Project: SUNNY

empire office

#	Qty	Part Number	Description	Complete	Options	Ind. Tag	General Markings
17	1	E6PD233027F	COUNTERWEIGHT PKG Pedestal, Plinth base, File / file, 23 1/4D x 30W x 27 1/2H 3832: QC/OP FIGURED ANEGRE 3832: QC/OP FIGURED ANEGRE 9201: POLISHED CHROME *KEYS:KEY PLUG ** OPTIONS ** *OPT:PULL OPTION PULLS FOR WD FRT BEAM PULL 8043: CLEAR ANODIZED ALUM STD:DOVETAIL CONSTRUCTION COUNTERWEIGHT PKG	Y	WGHT PKG BASIC FRONT LOCK KEYS ** OPTIONS ** PULL OPT PULL WD BEAMPULL PULL DWR CON WGHT PKG	FF	05-OFF 4



# Seating

Project: SUNY

#	Qty	Part Number	Description	Complete	Options	Ind. Tag	General Markings
1	1	442A40	Gesture; Chair, Wrapped back, Adjustable seat depth Non-Contrasting	Y	Upholstery Color Scheme Back Finish Group Back Finish Sewn Upholstery Type Seat Finish Group Seat Finish Color Scheme Arms Finish Group Arms Finish Base Finish Group Base Finish Frame Finish Group Frame Finish Shell Finish Group Shell Finish Arm Type Arm Cap Lumbar Option Cylinder Type Cylinder Type Base Type Caster or Glide Type Soil Retardant Option Fire Code Type	GESTURE	Seating
			Brisa				
			BR22: BUCKSKIN				
			Sewn				
			Brisa				
			BR22: BUCKSKIN				
			DarkLight:PlatinumMer/Merle				
			Plastic - PG1				
			6527:MERLE				
			Smooth Metallic				
			4799:PLATINUM METALLIC				
			Smooth Metallic				
			4799:PLATINUM METALLIC				
			Plastic - PG1				
			6527:MERLE				
			360 Arm				
			Standard Position				
			Lumbar				
			Standard Range				
			Plastic Base				
			Hard Casters				
			No Soil Retardant				
			No Fire Code				
2	1	MINGLB	Mingle; Chair, Seat upholstered	Y	NICKEL 7026 BRISA BR11 WOOD 3572 ***	MINGLE	Seating
			*PAINT:NICKEL				
			NICKEL				
			*UPHILSTRY:BRISA				
			CAMBRIDGE				
			*WOOD:WOOD				
			FC/OP AMBER ON MAPLE				
			*****				
3	1	4821410	Amia; Chair, Upholstered, Arms Plastic	Y	OPG0000410 POLYPRO 6249 OPG0000459 BRISA BR21 *RG0000221 ARMS	AMIA	Seating
			*PLASTIC:POLYPROPYLENE				
			PLATINUM SOLID				
			Upholstery				
			*UPHILSTRY:BRISA				
			MOCCASIN				
			** OPTIONS **				
			Arms				

# Seating

Project: SUNY

#	Qty	Part Number	Description	Complete	Options	Ind. Tag	General Markings
4	1	490412U	H/W/P/D Adj Base Hgt 5" pneumatic Base Plastic Casters Hard Cstr Accessories Move: Chair, Upholstered back, Arms, Glides Frame *FRAME:METALLIC PAINT PLATINUM METALLIC Shell *SHELL:PLASTIC ARCTIC WHITE Upholstery *UPHILSTRY:BRISA CAMBRIDGE ** OPTIONS ** Glides Hard Glides Accessories	Y	H/W/P/D SEAT HGT 5" RANGE BASE OPT PLASTIC CASTERS HARD CST OPT ACC OPG0000385 METALLIC 4799 OPG0000439 PLASTIC 6009 OPG0000504 BRISA BRISA BR11 *RG0000244 GLIDES HARD GLD OPT ACC	MOVE	Seating

# Admin. Desk Typical 1

Project: SUNY

#	Qty	Part Number	Description	Complete	Options	Ind. Tag	General Markings
<b>Admin Desk Typ. 1</b>							
1	1	AWQE45	Brace-Worksurface, 45W	Y		BR/45	Admin Desk Typ. 1
2	1	AWQF	Bracket-Flush mount	Y		FMB	Admin Desk Typ. 1
3	1	E6NLT231527R	Panel-End, Plinth base, Right hand, L leg, 23 1/4D x 15W x 27 1/2H 2409: CLEAR MAPLE (HPL)	Y	BASIC	EP/23	Admin Desk Typ. 1
4	1	E6OS156615H	Overhead-Single high, Hinged doors, 15 7/8D x 66W x 15H 2409: CLEAR MAPLE (HPL) ** OPTIONS ** *OPT:DOOR OPTION GLS DOOR PAINTED GLASS 8043: CLEAR ANODIZED ALUM 6580: ICE WHITE SOFT CLOSE NO LOCK WALL MOUNT BRACKET	Y	BASIC ** OPTIONS ** DOOR OPT GLS DOOR PNT GLS FRAME DOOR OPN CLS LOCK OPT BRACKETS	OC/66/15H	Admin Desk Typ. 1
5	1	E6QR6227T	Column-Rectangle, 6D x 1 3/4W x 27 1/2H 8043: CLEAR ANODIZED ALUM	Y	BASIC	RC	Admin Desk Typ. 1
6	1	E6WD3060	Worksurface-Desk, 30D x 60W 2409: CLEAR MAPLE (HPL) ** OPTIONS ** *OPT:WORKSURFACE PROFILE OPTIONS LAMINATE WKSF PROFILE OPTIONS LAM WS 3MM PLASTIC 6237: CLEAR MAPLE	Y	TOP-SURF ** OPTIONS ** PROF OPT LAMPROF LAM SQ EDGE	30/60	Admin Desk Typ. 1
7	1	E6WS2466	Worksurface-Straight, 24D x 66W 2409: CLEAR MAPLE (HPL) ** OPTIONS ** *OPT:WORKSURFACE PROFILE OPTIONS LAMINATE WKSF PROFILE OPTIONS LAM WS 3MM PLASTIC 6237: CLEAR MAPLE STD:NO SCALLOPS	Y	TOP-SURF ** OPTIONS ** PROF OPT LAMPROF LAM SQ EDGE SCAL OPT	24/66	Admin Desk Typ. 1
8	1	E6NM4212	Panel-Modesty, 42W x 12H 2409: CLEAR MAPLE (HPL) ** OPTIONS ** *OPT:BRACKET OPTIONS HANGING BRACKET 4799: PLATINUM METALLIC	Y	BASIC ** OPTIONS ** BRACKETS HANGING BRACKET	MP/42	Admin Desk Typ. 1
9	1	E6IT6621M	Tackboard, Wall mount application, 66W x 21 1/2H P530: ASTI	Y	TKBD	TB/6621	Admin Desk Typ. 1

# Admin. Desk Typical 1

Project: SUNY

#	Qty	Part Number	Description	Complete	Options	Ind. Tag	General Markings
10	1	E6KW241565L	Wardrobe, Plinth base, Door hinged left hand, 24D x 15W x 65 5/8H	Y		WR/65	Admin Desk Typ. 1
			2409: CLEAR MAPLE (HPL)		BASIC		
			9201: POLISHED CHROME		LOCK		
			*KEYS:STD:KEY RANDOM		KEYS		
			** OPTIONS **		** OPTIONS **		
			*OPT:DOOR OPTION		DOOR OPT		
			LAMINATE DOOR		LAM DOOR		
			2409: CLEAR MAPLE (HPL)		DOOR		
			*OPT:PULL OPTION		PULL OPT		
			PULLS FOR LAM DR		PULL LAM		
			BAR PULL		BAR PULL		
			9212: SILVER		PULL		
11	1	E6PD231527F	Pedestal, Plinth base, File / file, 23 1/4D x 15W x 27 1/2H	Y		FF	Admin Desk Typ. 1
			2409: CLEAR MAPLE (HPL)		BASIC		
			2409: CLEAR MAPLE (HPL)		FRONT		
			9201: POLISHED CHROME		LOCK		
			*KEYS:STD:KEY RANDOM		KEYS		
			** OPTIONS **		** OPTIONS **		
			*OPT:PULL OPTION		PULL OPT		
			PULLS FOR LAM FRT		PULL LAM		
			BAR PULL		BAR PULL		
			9212: SILVER		PULL		
			STD:DOVETAIL CONSTRUCTION		DWR CON		
			COUNTERWEIGHT PKG		WGHT PKG		
12	1	E6PM201523	Pedestal-Mobile, Plinth base, 22 3/4D x 15W x 23H	Y		BF	Admin Desk Typ. 1
			2409: CLEAR MAPLE (HPL)		BASIC		
			2409: CLEAR MAPLE (HPL)		FRONT		
			9201: POLISHED CHROME		LOCK		
			*KEYS:STD:KEY RANDOM		KEYS		
			** OPTIONS **		** OPTIONS **		
			*OPT:PULL OPTION		PULL OPT		
			PULLS FOR LAM FRT		PULL LAM		
			BAR PULL		BAR PULL		
			9212: SILVER		PULL		
			STD:DOVETAIL CONSTRUCTION		DWR CON		
			STD:NO CUSHION TOP		TOP OPT		
13	1	4821410	Amia; Chair, Upholstered, Arms	Y		AMIA	Admin Desk Typ. 1
			Plastic		OPG0000410		
			*PLASTIC:POLYPROPYLENE		POLYPRO		
			PLATINUM SOLID		6249		
			Upholstery		OPG0000459		

# Admin. Desk Typical 1

Project: SUNY

#	Qty	Part Number	Description	Complete	Options	Ind. Tag	General Markings
			*UPHLSTRY:BRISA		BRISA		
			MOCCASIN		BR21		
			** OPTIONS **		*RG0000221		
			Arms		ARMS		
			H/W/P/D Adj		H/W/P/D		
			Base Hgt		SEAT HGT		
			5" pneumatic		5" RANGE		
			Base		BASE OPT		
			Plastic		PLASTIC		
			Casters		CASTERS		
			Hard Cstr		HARD CST		
			Accessories		OPT ACC		

# SUNY\_Typical 1

Project: SUNY

#	Qty	Part Number	Description	Complete	Options	Ind. Tag	General Markings
<b>Typ. 01</b>							
1	8	DSLPLP	SOTO; Launch pad-Powered Basic	Y	OPG0000100	SOTO	Typ. 01
			*BASIC:PLASTIC		PLASTIC		
			ARCTIC WHITE		6009		
			** OPTIONS **		*RG0000077		
			*OPT:PAD OPTIONS		PAD		
			FABRIC FINISH SET 1		FAB SET1		
			FABRIC		FABRIC		
			*FABRIC:COGENT: CONNECT		CONNECT		
			TANGERINE		5S17		
2	8	DSMC	SOTO; Mobile caddy Basic	Y	OPG0000100	SOTO	Typ. 01
			*BASIC:PLASTIC		PLASTIC		
			ARCTIC WHITE		6009		
			** OPTIONS **		*RG0000077		
			*OPT:PAD OPTIONS		PAD		
			FABRIC FINISH SET 1		FAB SET1		
			FABRIC		FABRIC		
			*FABRIC:COGENT: CONNECT		CONNECT		
			SCARLET		5S18		
3	4	TS742THF	Frame, Horizontal package, Thin, 42W 4743: MINERAL METALLIC	Y	BASIC	42/54	Typ. 01
			** OPTIONS **		** OPTIONS **		
			*OPT:TOP CAP OPTIONS		TC OPT		
			WD Top Cap		WOOD CAP		
			3222: QC/OP CLEAR MAPLE		WOOD		
			NO CABLE TRAY		CABLEOPT		
			OMIT 1 SIDE / KNOCKOUT 1 SIDE		BASE OPT		
			NO BASE TRAY		TRAY OPT		
4	4	TS748THF	Frame, Horizontal package, Thin, 48W 4743: MINERAL METALLIC	Y	BASIC	48/54	Typ. 01
			** OPTIONS **		** OPTIONS **		
			*OPT:TOP CAP OPTIONS		TC OPT		
			WD Top Cap		WOOD CAP		
			3222: QC/OP CLEAR MAPLE		WOOD		
			NO CABLE TRAY		CABLEOPT		
			OMIT 1 SIDE / KNOCKOUT 1 SIDE		BASE OPT		
			NO BASE TRAY		TRAY OPT		
5	4	TS754TEPJ	Junction-End of run, Thin, 54H ** OPTIONS **	Y	** OPTIONS **	E54-O	Typ. 01

# SUNY\_Typical 1

Project: SUNY

#	Qty	Part Number	Description	Complete	Options	Ind. Tag	General Markings
			OMIT TRIM		TRIM		
6	6	TS754TIPJ	Junction-In line, Thin, 54H	Y		I54	Typ. 01
7	3	TS71SSY	Receptacle-System ground, Line 1, 2+2	Y			Typ. 01
			6651: TUNGSTEN		PLASTIC		
8	4	TS72442HS	Panel skin-Hard surface, 24H x 42W	Y			Typ. 01
			4743: MINERAL METALLIC		SURFACE		
			** OPTIONS **		** OPTIONS **		
			STD:PLAIN STEEL SURFACE		SURF OPT		
9	4	TS72442SW	Slatwall, 24H x 42W	Y			Typ. 01
			4743: MINERAL METALLIC		BASIC		
10	4	TS72448HS	Panel skin-Hard surface, 24H x 48W	Y			Typ. 01
			4743: MINERAL METALLIC		SURFACE		
			** OPTIONS **		** OPTIONS **		
			STD:PLAIN STEEL SURFACE		SURF OPT		
11	4	TS72448SW	Slatwall, 24H x 48W	Y			Typ. 01
			4743: MINERAL METALLIC		BASIC		
12	3	TS72SSY	Receptacle-System ground, Line 2, 2+2	Y			Typ. 01
			6651: TUNGSTEN		PLASTIC		
13	2	TS73SSY	Receptacle-System ground, Line 3, 2+2	Y			Typ. 01
			6651: TUNGSTEN		PLASTIC		
14	4	TS74842LSF	Panel skin, Laminate, Floor, 48H x 42W	Y			Typ. 01
			2409: CLEAR MAPLE (HPL)		SURFACE		
			4743: MINERAL METALLIC		TRIM		
15	4	TS74848LSF	Panel skin, Laminate, Floor, 48H x 48W	Y			Typ. 01
			2409: CLEAR MAPLE (HPL)		SURFACE		
			4743: MINERAL METALLIC		TRIM		
16	4	TS74SSY	Receptacle-System ground, Line 4, 2+2	Y			Typ. 01
			6651: TUNGSTEN		PLASTIC		
17	2	TS7BPNY42Y	Power infeed, 2+2, New York City application, 42W	Y		BPI/42 NYC	Typ. 01
18	2	TS7PK42Y	Kit-Power, 2+2, 42W	Y		PK	Typ. 01
19	4	TS7PK48Y	Kit-Power, 2+2, 48W	Y		PK	Typ. 01
20	2	TS7SCSSD	Screen-Single Connect, Straight, Single sided, Answer application	Y		BS51/53.702-S	Typ. 01
			Single Left		Application		
			Modular		Size Option		
			54		Height		
			54		Height - Connected Panel		
			51		Width		
			Woodgrain HPL		Surface Finish Group		
			2409: CLEAR MAPLE (HPL)		Surface Finish		
			Plastic - PG1		Edge Finish Group		

# SUNY\_Typical 1

Project: SUNY

#	Qty	Part Number	Description	Complete	Options	Ind. Tag	General Markings
			6237: CLEAR MAPLE		Edge Finish		
			Vertical		Grain Direction		
			Smooth Metallic		Cover Finish Group		
			4743: MINERAL METALLIC		Cover Finish		
21	2	TS7SCSSD	Screen-Single Connect, Straight, Single sided, Answer application	Y		BS51/53.702-S	Typ. 01
			Single Right		Application		
			Modular		Size Option		
			54		Height		
			54		Height - Connected Panel		
			51		Width		
			Woodgrain HPL		Surface Finish Group		
			2409: CLEAR MAPLE (HPL)		Surface Finish		
			Plastic - PG1		Edge Finish Group		
			6237: CLEAR MAPLE		Edge Finish		
			Vertical		Grain Direction		
			Smooth Metallic		Cover Finish Group		
			4743: MINERAL METALLIC		Cover Finish		
22	8	DSL PDS	SOTO; Launch pad-Divider screen	Y		SOTO	Typ. 01
23	6	UCSP	Support panel-Center, On module application, 11D x 27H	Y		CP	Typ. 01
			4743: MINERAL METALLIC		BASIC		
24	4	UEP24	Panel-End, On module application, 24D x 27H	Y		EP/24	Typ. 01
			4743: MINERAL METALLIC		BASIC		
25	2	UFP	Leg-Universal post	Y		PS	Typ. 01
			4743: MINERAL METALLIC		BASIC		
26	4	US2490	Worksurface-Straight, 1/2 cord drop, 23 1/2D x 90W	Y		24/90	Typ. 01
			6237: CLEAR MAPLE		EDGE		
			2409: CLEAR MAPLE (HPL)		TOP-SURF		
			** OPTIONS **		** OPTIONS **		
			Center Scallop		WKSF OPT		
27	4	TS7WKSPT72	Reinforcing channel, 72W	Y		RC	Typ. 01
28	8	TS31201A	Shortcut-Chair, Multipurpose	Y		TS31201A	Typ. 01
			Plastic - PG1		Shell Finish Group		
			6009:ARCTIC WHITE		Shell Finish		
			Plastic - PG1		Base Finish Group		
			6205:BLACK		Base Finish		
			With Cushion		Cushion Option		
			Brisa		Cushion Finish Group		
			BR11:CAMBRIDGE		Cushion Finish		
			Hard Casters		Caster or Glide Type		



# SUNY-Typical 2

Project: SUNY

#	Qty	Part Number	Description	Complete	Options	Ind. Tag	General Markings
<b>Typ. 02</b>							
1	4	TS4TST	Campfire; Skate table, 18D x 22W x 24 7/8H 4743: MINERAL METALLIC	Y	BASIC	18/22	Typ. 02
			** OPTIONS **		** OPTIONS **		
			*OPT:TOP SELECTION		TOP OPT		
			HPL TOP		HPL TOP		
			2536: BLACKWOOD (HPL)		TOP-SURF		
			6243: BLACKWOOD		EDGE		
2	2	TS34410T	Alight; Table-Side Base	Y	OPG0000351	ALIGHT	Typ. 02
			*BASE:WOOD		WOOD VEN		
			FC/OP DARK WALNUT		3762		
3	2	TS3BCM	Campfire; Big Lounge, Multiple fabric Back	Y	OPG0000349	BIG LOUNGE	Typ. 02
			*BACK:CUST OWN MAT		C.O.M.		
			MISC FABRIC		5999		
			10980		Fabric Vendor Name:		
					Pattern Number:		
			CANNON BEACH		Pattern Name:		
			63004		Color Number:		
			STARFISH		Color Name:		
			V		Application Direction:		
					Deal Number:		
			0		Reservation Number:		
			62.95		Fabric Pricing Information:		
			S		Purchasing Responsibility:		
			Seat		OPG0000427		
			*SEAT:GRADED-IN PRC GRP 04		GRDIN 04		
			GRADED IN PR. GRP. 4		59DD		
			02351		Fabric Vendor Name:		
			FT		Pattern Number:		
			FLORENTINO		Pattern Name:		
			034		Color Number:		
			BLUE JAY		Color Name:		
			H		Application Direction:		
			MAYER0001		Deal Number:		
					Reservation Number:		
			S		Fabric Pricing Information:		
					Purchasing Responsibility:		
4	2	TS3HLM	Campfire; Seating-Half lounge, Multiple fabric Back	Y	OPG0000348	HALF LOUNGE	Typ. 02

# SUNY-Typical 2

Project: SUNY

#	Qty	Part Number	Description	Complete	Options	Ind. Tag	General Markings
			*BACK:CUST OWN MAT		C.O.M.		
			MISC FABRIC		5999		
			10980		Fabric Vendor Name:		
					Pattern Number:		
			CANNON BEACH		Pattern Name:		
			63004		Color Number:		
			STARFISH		Color Name:		
			V		Application Direction:		
					Deal Number:		
			0		Reservation Number:		
			62.95		Fabric Pricing Information:		
			S		Purchasing Responsibility:		
			Seat		OPG0000428		
			*SEAT:GRADED-IN PRC GRP 04		GRDIN 04		
			GRADED IN PR. GRP. 4		59DD		
			02351		Fabric Vendor Name:		
			FT		Pattern Number:		
			FLORENTINO		Pattern Name:		
			034		Color Number:		
			BLUE JAY		Color Name:		
			H		Application Direction:		
			MAYER0001		Deal Number:		
					Reservation Number:		
					Fabric Pricing Information:		
			S		Purchasing Responsibility:		
5	20	Cannon Beach_Starfish	Fabric for Lounge Back	Y			Typ. 02

# SUNY\_Typical 3

Project: SUNY

#	Qty	Part Number	Description	Complete	Options	Ind. Tag	General Markings
<b>Typ. 03</b>							
1	1	488FR	Brody; Footrest-Worklounge	Y		BRODY	Typ. 03
			Brisa		Footrest Upper Finish Group		
			BR11: CAMBRIDGE		Footrest Upper Finish		
			Plastic - PG1		Footrest Lower Finish Group		
			6053: SEAGULL		Footrest Lower Finish		
			No Soil Retardant		Soil Retardant Option		
2	1	488WE	Brody; Chair-Lounge, Privacy, Extension	Y		BRODY	Typ. 03
			Billiard		Lower Surround Finish Group		
			5H14: AVOCADO		Lower Surround Finish		
			Textured Paint		Foot Finish Group		
			7243:SEAGULL		Foot Finish		
			Plastic		Trim Type		
			Plastic - PG1		Trim Finish Group		
			6053:SEAGULL		Trim Finish		
			Brisa		Seat Finish Group		
			BR11: CAMBRIDGE		Seat Finish		
			Plastic - PG1		Seat Shell Finish Group		
			6249:PLATINUM SOLID		Seat Shell Finish		
			Light		Color Scheme		
			User's Left		Side Surface Location		
			Woodgrain HPL		Side Surface Finish Group		
			2511: WINTER ON MAPLE		Side Surface Finish		
			Plastic - PG1		Edge Finish Group		
			6037:WINTER ON MAPLE		Edge Finish		
			Textured Paint		Caddy Finish Group		
			7243:SEAGULL		Caddy Finish		
			Textured Paint		Frame Finish Group		
			7243:SEAGULL		Frame Finish		
			Personal Worksurface		Worksurface		
			Plastic - PG1		Personal Wksf Finish Group		
			6053:SEAGULL		Personal Wksf Finish		
			Smooth Metallic		Personal Wksf Arm Finish Group		
			4799:PLATINUM METALLIC		Personal Wksf Arm Finish		
			With 1 USB, 1 NEMA Outlet		Power Outlet Type		
			Standard NEMA 5-15 3-Prong		Power Plug Type		
			Textured Paint		Power Finish Group		
			7243:SEAGULL		Power Finish		
			With Light		Light		
			Smooth Paint		Light Finish Group		
			4231: ARCTIC WHITE		Light Finish		

# SUNY\_Typical 3

Project: SUNY

#	Qty	Part Number	Description	Complete	Options	Ind. Tag	General Markings
			Acrylic		Screen Type		
			Plastic - PG1		Screen Finish Group		
			6559: SATIN ICE		Screen Finish		
			Left and Right		Screen Location		
			Textured Paint		Screen Bracket Finish Group		
			7243:SEAGULL		Screen Bracket Finish		
			No Soil Retardant		Soil Retardant Option		

# SUNY\_Typical 4

Project: SUNY

#	Qty	Part Number	Description	Complete	Options	Ind. Tag	General Markings
<b>Typ. 04</b>							
1	8	DSLPLP	SOTO; Launch pad-Powered Basic	Y	OPG0000100	SOTO	Typ. 04
			*BASIC:PLASTIC		PLASTIC		
			ARCTIC WHITE		6009		
			** OPTIONS **		*RG0000077		
			*OPT:PAD OPTIONS		PAD		
			FABRIC FINISH SET 1		FAB SET1		
			FABRIC		FABRIC		
			*FABRIC:COGENT: CONNECT		CONNECT		
			TANGERINE		5S17		
2	8	DSMC	SOTO; Mobile caddy Basic	Y	OPG0000100	SOTO	Typ. 04
			*BASIC:PLASTIC		PLASTIC		
			ARCTIC WHITE		6009		
			** OPTIONS **		*RG0000077		
			*OPT:PAD OPTIONS		PAD		
			FABRIC FINISH SET 1		FAB SET1		
			FABRIC		FABRIC		
			*FABRIC:COGENT: CONNECT		CONNECT		
			SCARLET		5S18		
3	2	TS742THF	Frame, Horizontal package, Thin, 42W 4743: MINERAL METALLIC	Y	BASIC	42/54	Typ. 04
			** OPTIONS **		** OPTIONS **		
			*OPT:TOP CAP OPTIONS		TC OPT		
			WD Top Cap		WOOD CAP		
			3222: QC/OP CLEAR MAPLE		WOOD		
			NO CABLE TRAY		CABLEOPT		
			OMIT 1 SIDE / KNOCKOUT 1 SIDE		BASE OPT		
			NO BASE TRAY		TRAY OPT		
4	2	TS742THF	Frame, Horizontal package, Thin, 42W 4743: MINERAL METALLIC	Y	BASIC	42/54	Typ. 04
			** OPTIONS **		** OPTIONS **		
			*OPT:TOP CAP OPTIONS		TC OPT		
			WD Top Cap		WOOD CAP		
			3222: QC/OP CLEAR MAPLE		WOOD		
			NO CABLE TRAY		CABLEOPT		
			STD:KNOCKOUT BASE BOTH SIDES		BASE OPT		
			NO BASE TRAY		TRAY OPT		
5	2	TS742THF	Frame, Horizontal package, Thin, 42W 4743: MINERAL METALLIC	Y	BASIC	42/66	Typ. 04

# SUNY\_Typical 4

Project: SUNY

#	Qty	Part Number	Description	Complete	Options	Ind. Tag	General Markings
			** OPTIONS **		** OPTIONS **		
			TOP CAP, OMITTED		TC OPT		
			NO CABLE TRAY		CABLEOPT		
			OMIT 1 SIDE / KNOCKOUT 1 SIDE		BASE OPT		
			NO BASE TRAY		TRAY OPT		
6	2	TS748THF	Frame, Horizontal package, Thin, 48W	Y		48/54	Typ. 04
			4743: MINERAL METALLIC		BASIC		
			** OPTIONS **		** OPTIONS **		
			*OPT:TOP CAP OPTIONS		TC OPT		
			WD Top Cap		WOOD CAP		
			3222: QC/OP CLEAR MAPLE		WOOD		
			NO CABLE TRAY		CABLEOPT		
			OMIT 1 SIDE / KNOCKOUT 1 SIDE		BASE OPT		
			NO BASE TRAY		TRAY OPT		
7	2	TS748THF	Frame, Horizontal package, Thin, 48W	Y		48/54	Typ. 04
			4743: MINERAL METALLIC		BASIC		
			** OPTIONS **		** OPTIONS **		
			*OPT:TOP CAP OPTIONS		TC OPT		
			WD Top Cap		WOOD CAP		
			3222: QC/OP CLEAR MAPLE		WOOD		
			NO CABLE TRAY		CABLEOPT		
			STD:KNOCKOUT BASE BOTH SIDES		BASE OPT		
			NO BASE TRAY		TRAY OPT		
8	2	TS748THF	Frame, Horizontal package, Thin, 48W	Y		48/66	Typ. 04
			4743: MINERAL METALLIC		BASIC		
			** OPTIONS **		** OPTIONS **		
			TOP CAP, OMITTED		TC OPT		
			NO CABLE TRAY		CABLEOPT		
			OMIT 1 SIDE / KNOCKOUT 1 SIDE		BASE OPT		
			NO BASE TRAY		TRAY OPT		
9	4	TS754TEPJ	Junction-End of run, Thin, 54H	Y		E54-O	Typ. 04
			** OPTIONS **		** OPTIONS **		
			OMIT TRIM		TRIM		
10	6	TS754TIPJ	Junction-In line, Thin, 54H	Y		I54	Typ. 04
11	2	TS766TEPJ	Junction-End of run, Thin, 66H	Y		E66-O	Typ. 04
			** OPTIONS **		** OPTIONS **		
			OMIT TRIM		TRIM		
12	3	TS766TIPJ	Junction-In line, Thin, 66H	Y		I66	Typ. 04
13	2	TS71290TFGR	Screen-Frameless glass, Recessed, Thin, 12H x 90W	Y		FG/90-R	Typ. 04
			** OPTIONS **		** OPTIONS **		
			*OPT:TOP CAP OPTIONS		TC OPT		

# SUNY\_Typical 4

Project: SUNY

#	Qty	Part Number	Description	Complete	Options	Ind. Tag	General Markings
			WD Top Cap		WOOD CAP		
			3222: QC/OP CLEAR MAPLE		WOOD		
			STD:GLASS OPTION		GLAS OPT		
14	2	TS712TICHTW	Trim-Vertical change of height, Wood, End of run and in line, Thin, 12H	Y		T112	Typ. 04
			3222: QC/OP CLEAR MAPLE		UPRIGHT		
15	4	TS71SSY	Receptacle-System ground, Line 1, 2+2	Y			Typ. 04
			6651: TUNGSTEN		PLASTIC		
16	4	TS72442HS	Panel skin-Hard surface, 24H x 42W	Y			Typ. 04
			4743: MINERAL METALLIC		SURFACE		
			** OPTIONS **		** OPTIONS **		
			STD:PLAIN STEEL SURFACE		SURF OPT		
17	4	TS72442SW	Slatwall, 24H x 42W	Y			Typ. 04
			4743: MINERAL METALLIC		BASIC		
18	4	TS72448HS	Panel skin-Hard surface, 24H x 48W	Y			Typ. 04
			4743: MINERAL METALLIC		SURFACE		
			** OPTIONS **		** OPTIONS **		
			STD:PLAIN STEEL SURFACE		SURF OPT		
19	4	TS72448SW	Slatwall, 24H x 48W	Y			Typ. 04
			4743: MINERAL METALLIC		BASIC		
20	4	TS72SSY	Receptacle-System ground, Line 2, 2+2	Y			Typ. 04
			6651: TUNGSTEN		PLASTIC		
21	4	TS73SSY	Receptacle-System ground, Line 3, 2+2	Y			Typ. 04
			6651: TUNGSTEN		PLASTIC		
22	2	TS74842LS	Skin, Laminate, 48H x 42W	Y			Typ. 04
			2409: CLEAR MAPLE (HPL)		SURFACE		
			4743: MINERAL METALLIC		TRIM		
23	2	TS74842LSF	Panel skin, Laminate, Floor, 48H x 42W	Y			Typ. 04
			2409: CLEAR MAPLE (HPL)		SURFACE		
			4743: MINERAL METALLIC		TRIM		
24	2	TS74848LS	Skin, Laminate, 48H x 48W	Y			Typ. 04
			2409: CLEAR MAPLE (HPL)		SURFACE		
			4743: MINERAL METALLIC		TRIM		
25	2	TS74848LSF	Panel skin, Laminate, Floor, 48H x 48W	Y			Typ. 04
			2409: CLEAR MAPLE (HPL)		SURFACE		
			4743: MINERAL METALLIC		TRIM		
26	4	TS74SSY	Receptacle-System ground, Line 4, 2+2	Y			Typ. 04
			6651: TUNGSTEN		PLASTIC		
27	2	TS76042LS	Skin, Laminate, 60H x 42W	Y			Typ. 04
			2409: CLEAR MAPLE (HPL)		SURFACE		
			4743: MINERAL METALLIC		TRIM		
28	2	TS76042LSF	Panel skin, Laminate, Floor, 60H x 42W	Y			Typ. 04

# SUNY\_Typical 4

Project: SUNY

#	Qty	Part Number	Description	Complete	Options	Ind. Tag	General Markings
			2409: CLEAR MAPLE (HPL)		SURFACE		
			4743: MINERAL METALLIC		TRIM		
29	2	TS76048LS	Skin, Laminate, 60H x 48W	Y			Typ. 04
			2409: CLEAR MAPLE (HPL)		SURFACE		
			4743: MINERAL METALLIC		TRIM		
30	2	TS76048LSF	Panel skin, Laminate, Floor, 60H x 48W	Y			Typ. 04
			2409: CLEAR MAPLE (HPL)		SURFACE		
			4743: MINERAL METALLIC		TRIM		
31	3	TS7BPNY42Y	Power infeed, 2+2, New York City application, 42W	Y		BPI/42 NYC	Typ. 04
32	2	TS7PK42Y	Kit-Power, 2+2, 42W	Y		PK	Typ. 04
33	6	TS7PK48Y	Kit-Power, 2+2, 48W	Y		PK	Typ. 04
34	1	TS7SCSPT	Screen-Single Connect, Straight, Split, Answer application	Y		BS43.5/49.5/53.702-S	Typ. 04
			Modular		Size Option		
			54		Height		
			54		Height - Connected Panel		
			43.50000		Width - Left		
			49.50000		Width - Right		
			Woodgrain HPL		Surface Finish Group		
			2409: CLEAR MAPLE (HPL)		Surface Finish		
			Plastic - PG1		Edge Finish Group		
			6237: CLEAR MAPLE		Edge Finish		
			Vertical		Grain Direction		
			Smooth Metallic		Cover Finish Group		
			4743: MINERAL METALLIC		Cover Finish		
35	1	TS7SCSPT	Screen-Single Connect, Straight, Split, Answer application	Y		BS49.5/43.5/53.702-S	Typ. 04
			Modular		Size Option		
			54		Height		
			54		Height - Connected Panel		
			49.50000		Width - Left		
			43.50000		Width - Right		
			Woodgrain HPL		Surface Finish Group		
			2409: CLEAR MAPLE (HPL)		Surface Finish		
			Plastic - PG1		Edge Finish Group		
			6237: CLEAR MAPLE		Edge Finish		
			Vertical		Grain Direction		
			Smooth Metallic		Cover Finish Group		
			4743: MINERAL METALLIC		Cover Finish		
36	1	TS7SCSSD	Screen-Single Connect, Straight, Single sided, Answer application	Y		BS51/53.702-S	Typ. 04
			Single Left		Application		
			Modular		Size Option		



# SUNY\_Typical 4

Project: SUNY

#	Qty	Part Number	Description	Complete	Options	Ind. Tag	General Markings
			54		Height		
			54		Height - Connected Panel		
			51		Width		
			Woodgrain HPL		Surface Finish Group		
			2409: CLEAR MAPLE (HPL)		Surface Finish		
			Plastic - PG1		Edge Finish Group		
			6237: CLEAR MAPLE		Edge Finish		
			Vertical		Grain Direction		
			Smooth Metallic		Cover Finish Group		
			4743: MINERAL METALLIC		Cover Finish		
37	1	TS7SCSSD	Screen-Single Connect, Straight, Single sided, Answer application	Y		BS51/53.702-S	Typ. 04
			Single Left		Application		
			Modular		Size Option		
			54		Height		
			66		Height - Connected Panel		
			51		Width		
			Woodgrain HPL		Surface Finish Group		
			2409: CLEAR MAPLE (HPL)		Surface Finish		
			Plastic - PG1		Edge Finish Group		
			6237: CLEAR MAPLE		Edge Finish		
			Vertical		Grain Direction		
			Smooth Metallic		Cover Finish Group		
			4743: MINERAL METALLIC		Cover Finish		
38	1	TS7SCSSD	Screen-Single Connect, Straight, Single sided, Answer application	Y		BS51/53.702-S	Typ. 04
			Single Right		Application		
			Modular		Size Option		
			54		Height		
			54		Height - Connected Panel		
			51		Width		
			Woodgrain HPL		Surface Finish Group		
			2409: CLEAR MAPLE (HPL)		Surface Finish		
			Plastic - PG1		Edge Finish Group		
			6237: CLEAR MAPLE		Edge Finish		
			Vertical		Grain Direction		
			Smooth Metallic		Cover Finish Group		
			4743: MINERAL METALLIC		Cover Finish		
39	1	TS7SCSSD	Screen-Single Connect, Straight, Single sided, Answer application	Y		BS51/53.702-S	Typ. 04
			Single Right		Application		
			Modular		Size Option		
			54		Height		
			66		Height - Connected Panel		

# SUNY\_Typical 4

Project: SUNY

#	Qty	Part Number	Description	Complete	Options	Ind. Tag	General Markings
			51		Width		
			Woodgrain HPL		Surface Finish Group		
			2409: CLEAR MAPLE (HPL)		Surface Finish		
			Plastic - PG1		Edge Finish Group		
			6237: CLEAR MAPLE		Edge Finish		
			Vertical		Grain Direction		
			Smooth Metallic		Cover Finish Group		
			4743: MINERAL METALLIC		Cover Finish		
40	2	TS7STLS1	In line-Spanning Top Cap, Package quantity 1, Lightseal	Y			Typ. 04
41	8	DSLPS	SOTO; Launch pad-Divider screen	Y		SOTO	Typ. 04
42	6	UCSP	Support panel-Center, On module application, 11D x 27H	Y		CP	Typ. 04
			4743: MINERAL METALLIC		BASIC		
43	4	UEP24	Panel-End, On module application, 24D x 27H	Y		EP/24	Typ. 04
			4743: MINERAL METALLIC		BASIC		
44	2	UFP	Leg-Universal post	Y		PS	Typ. 04
			4743: MINERAL METALLIC		BASIC		
45	4	US2490	Worksurface-Straight, 1/2 cord drop, 23 1/2D x 90W	Y		24/90	Typ. 04
			6237: CLEAR MAPLE		EDGE		
			2409: CLEAR MAPLE (HPL)		TOP-SURF		
			** OPTIONS **		** OPTIONS **		
			Center Scallop		WKSF OPT		
46	4	TS7WKSPT72	Reinforcing channel, 72W	Y		RC	Typ. 04
47	4	E6BFL153045P	Bookcase-Freestanding, Leg base, Open, 15D x 30W x 45H	Y		BC/3H/30-L	Typ. 04
			2409: CLEAR MAPLE (HPL)		BASIC		
			8043: CLEAR ANODIZED ALUM		LEGS		
			** OPTIONS **		** OPTIONS **		
			STD:3/4 INCH SHELF		SHELF OPT		
			STD:FREESTANDING LEGS (4 LEGS)		LEG		
48	2	488WO	Brody; Chair-Worklounge	Y		BRODY	Typ. 04
			Buzz2		Lower Surround Finish Group		
			5F03: TOMATO		Lower Surround Finish		
			Smooth Metallic		Foot Finish Group		
			4799:PLATINUM METALLIC		Foot Finish		
			Fabric		Trim Type		
			Buzz2		Trim Finish Group		
			5F03:TOMATO		Trim Finish		
			Brisa		Seat Finish Group		
			BR19: CREAM		Seat Finish		
			Plastic - PG1		Seat Shell Finish Group		
			6059:STERLING DARK SOLID		Seat Shell Finish		
			Medium		Color Scheme		

# SUNY\_Typical 4

Project: SUNY

#	Qty	Part Number	Description	Complete	Options	Ind. Tag	General Markings
			User's Left		Side Surface Location		
			Woodgrain HPL		Side Surface Finish Group		
			2536: BLACKWOOD (HPL)		Side Surface Finish		
			Plastic - PG1		Edge Finish Group		
			6243:BLACKWOOD		Edge Finish		
			Textured Paint		Caddy Finish Group		
			7250:STERLING DARK SOLID		Caddy Finish		
			Textured Paint		Frame Finish Group		
			7250:STERLING DARK SOLID		Frame Finish		
			Personal Worksurface		Worksurface		
			Plastic - PG1		Personal Wksf Finish Group		
			6249:PLATINUM SOLID		Personal Wksf Finish		
			Smooth Metallic		Personal Wksf Arm Finish Group		
			4799:PLATINUM METALLIC		Personal Wksf Arm Finish		
			With 1 USB, 1 NEMA Outlet		Power Outlet Type		
			Standard NEMA 5-15 3-Prong		Power Plug Type		
			Textured Paint		Power Finish Group		
			7250:STERLING DARK SOLID		Power Finish		
			No Light		Light		
			No Soil Retardant		Soil Retardant Option		
49	2	488WO	Brody; Chair-Worklounge	Y		BRODY	Typ. 04
			Buzz2		Lower Surround Finish Group		
			5F03: TOMATO		Lower Surround Finish		
			Smooth Metallic		Foot Finish Group		
			4799:PLATINUM METALLIC		Foot Finish		
			Fabric		Trim Type		
			Buzz2		Trim Finish Group		
			5F03:TOMATO		Trim Finish		
			Brisa		Seat Finish Group		
			BR19: CREAM		Seat Finish		
			Plastic - PG1		Seat Shell Finish Group		
			6059:STERLING DARK SOLID		Seat Shell Finish		
			Medium		Color Scheme		
			User's Right		Side Surface Location		
			Woodgrain HPL		Side Surface Finish Group		
			2536: BLACKWOOD (HPL)		Side Surface Finish		
			Plastic - PG1		Edge Finish Group		
			6243:BLACKWOOD		Edge Finish		
			Textured Paint		Caddy Finish Group		
			7250:STERLING DARK SOLID		Caddy Finish		
			Textured Paint		Frame Finish Group		

# SUNY\_Typical 4

Project: SUNY

#	Qty	Part Number	Description	Complete	Options	Ind. Tag	General Markings
			7250:STERLING DARK SOLID		Frame Finish		
			Personal Worksurface		Worksurface		
			Plastic - PG1		Personal Wksf Finish Group		
			6249:PLATINUM SOLID		Personal Wksf Finish		
			Smooth Metallic		Personal Wksf Arm Finish Group		
			4799:PLATINUM METALLIC		Personal Wksf Arm Finish		
			With 1 USB, 1 NEMA Outlet		Power Outlet Type		
			Standard NEMA 5-15 3-Prong		Power Plug Type		
			Textured Paint		Power Finish Group		
			7250:STERLING DARK SOLID		Power Finish		
			No Light		Light		
			No Soil Retardant		Soil Retardant Option		
50	8	TS31201A	Shortcut-Chair, Multipurpose	Y		TS31201A	Typ. 04
			Plastic - PG1		Shell Finish Group		
			6009:ARCTIC WHITE		Shell Finish		
			Plastic - PG1		Base Finish Group		
			6205:BLACK		Base Finish		
			With Cushion		Cushion Option		
			Brisa		Cushion Finish Group		
			BR11:CAMBRIDGE		Cushion Finish		
			Hard Casters		Caster or Glide Type		

# SUNY\_Typical 5

Project: SUNY

#	Qty	Part Number	Description	Complete	Options	Ind. Tag	General Markings
<b>Typ. 05</b>							
1	4	TS730THF	Frame-Horizontal package, Thin, 30W 4743: MINERAL METALLIC ** OPTIONS ** TOP CAP, OMITTED NO CABLE TRAY OMIT 1 SIDE / KNOCKOUT 1 SIDE NO BASE TRAY	Y	BASIC ** OPTIONS ** TC OPT CABLEOPT BASE OPT TRAY OPT	30/66	Typ. 05
2	2	TS730THF	Frame-Horizontal package, Thin, 30W 4743: MINERAL METALLIC ** OPTIONS ** TOP CAP, OMITTED NO CABLE TRAY STD:KNOCKOUT BASE BOTH SIDES NO BASE TRAY	Y	BASIC ** OPTIONS ** TC OPT CABLEOPT BASE OPT TRAY OPT	30/66	Typ. 05
3	4	TS748THF	Frame, Horizontal package, Thin, 48W 4743: MINERAL METALLIC ** OPTIONS ** *OPT:TOP CAP OPTIONS WD Top Cap 3222: QC/OP CLEAR MAPLE NO CABLE TRAY OMIT BASE TRIM BOTH SIDES NO BASE TRAY	Y	BASIC ** OPTIONS ** TC OPT WOOD CAP WOOD CABLEOPT BASE OPT TRAY OPT	48/54	Typ. 05
4	2	TS748THF	Frame, Horizontal package, Thin, 48W 4743: MINERAL METALLIC ** OPTIONS ** TOP CAP, OMITTED NO CABLE TRAY OMIT BASE TRIM BOTH SIDES NO BASE TRAY	Y	BASIC ** OPTIONS ** TC OPT CABLEOPT BASE OPT TRAY OPT	48/66	Typ. 05
5	2	TS754TEPJW	Junction-End of run, Wood, Thin, 54H ** OPTIONS ** *OPT:TRIM PACKAGE WOOD TRIM PKG 3222: QC/OP CLEAR MAPLE	Y	** OPTIONS ** TRIM WOOD UPRIGHT	E54	Typ. 05
6	2	TS754TIPJ	Junction-In line, Thin, 54H	Y		I54	Typ. 05
7	2	TS7665TCTJW	Junction-T, Wood, Change of height, Thin, 66 to 66 to 54 ** OPTIONS ** *OPT:TRIM PACKAGE WOOD TRIM PKG	Y	** OPTIONS ** TRIM WOOD	T66-66-54	Typ. 05

# SUNY\_Typical 5

Project: SUNY

#	Qty	Part Number	Description	Complete	Options	Ind. Tag	General Markings
			3222: QC/OP CLEAR MAPLE		UPRIGHT		
8	2	TS766TEPJW	Junction-End of run, Wood, Thin, 66H	Y		E66	Typ. 05
			** OPTIONS **		** OPTIONS **		
			*OPT:TRIM PACKAGE		TRIM		
			WOOD TRIM PKG		WOOD		
			3222: QC/OP CLEAR MAPLE		UPRIGHT		
9	5	TS766TIPJ	Junction-In line, Thin, 66H	Y		I66	Typ. 05
10	2	TS71248TFGR	Screen-Frameless glass, Recessed, Thin, 12H x 48W	Y		FG/48-R	Typ. 05
			** OPTIONS **		** OPTIONS **		
			*OPT:TOP CAP OPTIONS		TC OPT		
			WD Top Cap		WOOD CAP		
			3222: QC/OP CLEAR MAPLE		WOOD		
			STD:GLASS OPTION		GLAS OPT		
11	3	TS71260TFGR	Screen-Frameless glass, Recessed, Thin, 12H x 60W	Y		FG/60-R	Typ. 05
			** OPTIONS **		** OPTIONS **		
			*OPT:TOP CAP OPTIONS		TC OPT		
			WD Top Cap		WOOD CAP		
			3222: QC/OP CLEAR MAPLE		WOOD		
			STD:GLASS OPTION		GLAS OPT		
12	1	TS71SSY	Receptacle-System ground, Line 1, 2+2	Y			Typ. 05
			6651: TUNGSTEN		PLASTIC		
13	1	TS72SSY	Receptacle-System ground, Line 2, 2+2	Y			Typ. 05
			6651: TUNGSTEN		PLASTIC		
14	1	TS73SSY	Receptacle-System ground, Line 3, 2+2	Y			Typ. 05
			6651: TUNGSTEN		PLASTIC		
15	8	TS74848LSF	Panel skin, Laminate, Floor, 48H x 48W	Y			Typ. 05
			2409: CLEAR MAPLE (HPL)		SURFACE		
			4743: MINERAL METALLIC		TRIM		
16	1	TS74SSY	Receptacle-System ground, Line 4, 2+2	Y			Typ. 05
			6651: TUNGSTEN		PLASTIC		
17	8	TS76030LS	Skin, Laminate, 60H x 30W	Y			Typ. 05
			2409: CLEAR MAPLE (HPL)		SURFACE		
			4743: MINERAL METALLIC		TRIM		
18	4	TS76030LSF	Panel skin, Laminate, Floor, 60H x 30W	Y			Typ. 05
			2409: CLEAR MAPLE (HPL)		SURFACE		
			4743: MINERAL METALLIC		TRIM		
19	4	TS76048LSF	Panel skin, Laminate, Floor, 60H x 48W	Y			Typ. 05
			2409: CLEAR MAPLE (HPL)		SURFACE		
			4743: MINERAL METALLIC		TRIM		
20	1	TS7BPNY30Y	Power infeed, 2+2, New York City application, 30W	Y		BPI/30 NYC	Typ. 05

# SUNY\_Typical 5

Project: SUNY

#	Qty	Part Number	Description	Complete	Options	Ind. Tag	General Markings
21	3	TS7FGJG	Grommet-Junction, Package quantity 2, Frameless glass application	Y		JG	Typ. 05
22	1	TS7PK30Y	Kit-Power, 2+2, 30W	Y		PK	Typ. 05
23	3	TS7STLS1	In line-Spanning Top Cap, Package quantity 1, Lightseal	Y			Typ. 05
24	4	E6OO15307	Shelf-Organizer, 15D x 30W x 7 1/2H	Y		SH-O/30	Typ. 05
			2409: CLEAR MAPLE (HPL)		BASIC		
			** OPTIONS **		** OPTIONS **		
			ANSWER BRACKET		BRACKETS		
25	2	UFSMEDLHANS	Bracket, Medium, Left hand, Storage to panel application, Answer application	Y		SPMLH	Typ. 05
26	1	UFSMEDRHANS	Bracket, Medium, Right hand, Storage to panel application, Answer application	Y		SPMRH	Typ. 05
27	4	E6BF153045P	Bookcase-Freestanding, Plinth base, Open, 15D x 30W x 45H	Y		BC/3H/30	Typ. 05
			2409: CLEAR MAPLE (HPL)		BASIC		
			** OPTIONS **		** OPTIONS **		
			STD:3/4 INCH SHELF		SHELF OPT		
28	1	RATCL2460P	Top-Common, Square edge profile, Laminate, Proud front, 24D x 60W	Y		CT/24/60	Typ. 05
			6237: CLEAR MAPLE		EDGE		
			2409: CLEAR MAPLE (HPL)		TOP-SURF		
29	2	RSC24303CP	Cabinet-Storage, 2 adjustable shelves, Proud steel front, 24D x 30W x 40H	Y		SC/40	Typ. 05
			4743: MINERAL METALLIC		BASIC		
			9201: POLISHED CHROME		LOCK		
			*KEYS:STD:KEY RANDOM		KEYS		
			** OPTIONS **		** OPTIONS **		
			NO TOP		TOP OPT		
			*OPT:PULL OPTIONS		PULLS		
			BAR PULL		BAR PULL		
			9212: SILVER		PULL		
30	2	RLF24303P	Universal; Lateral file, 3 drawers, Proud steel front, 24D x 30W x 40H	Y		LF/3/30	Typ. 05
			4743: MINERAL METALLIC		BASIC		
			9201: POLISHED CHROME		LOCK		
			*KEYS:STD:KEY RANDOM		KEYS		
			** OPTIONS **		** OPTIONS **		
			*OPT:TOP OPTIONS		TOP OPT		
			LAMINATE TOP		LAM TOP		
			2409: CLEAR MAPLE (HPL)		TOP-SURF		
			6237: CLEAR MAPLE		EDGE		
			STD:CENTRAL LOCKING DWR		LOCK OPT		
			*OPT:PULL OPTIONS		PULLS		
			BAR PULL		BAR PULL		
			9212: SILVER		PULL		
			DRAWERS WITH DIVIDERS		DWR ACC		
			COUNTERWEIGHT PKG		WGHT PKG		
31	1	M03MINIA	media:scape; mini, America power application	Y		MPS/S42	Typ. 05

# SUNY\_Typical 5

Project: SUNY

#	Qty	Part Number	Description	Complete	Options	Ind. Tag	General Markings
32	6	TS31202B	Shortcut-Stool, Multipurpose	Y		TS31202B	Typ. 05
			Plastic - PG1		Shell Finish Group		
			6333:PICASSO		Shell Finish		
			Plastic - PG1		Base Finish Group		
			6205:BLACK		Base Finish		
			With Cushion		Cushion Option		
			Brisa		Cushion Finish Group		
			BR11:CAMBRIDGE		Cushion Finish		
			Hard Casters		Caster or Glide Type		
33	1	TS4TLP40	Campfire; Big Table, Power cutout, 96W x 48D x 40H	Y		48/96-PC	Typ. 05
			** OPTIONS **		** OPTIONS **		
			*OPT:TOP OPTION		TOP OPT		
			HPL TOP		HPL TOP		
			2409: CLEAR MAPLE (HPL)		TOP-SURF		
			NO CONTRASTING MODESTY PANEL		CON OPT		
			RECEPTACLE WITH 2 POWER AND 0		PWR OPT		



# SUNY\_Typical 6

Project: SUNY

#	Qty	Part Number	Description	Complete	Options	Ind. Tag	General Markings
<b>Typ. 06</b>							
1	3	4821410	Amia; Chair, Upholstered, Arms Plastic *PLASTIC:POLYPROPYLENE PLATINUM SOLID Upholstery *UPLHSTRY:BRISA CAMBRIDGE ** OPTIONS ** Arms H/W/P/D Adj Base Hgt 5" pneumatic Base Plastic Casters Hard Cstr Accessories	Y	OPG0000410 POLYPRO 6249 OPG0000459 BRISA BR11 *RG0000221 ARMS H/W/P/D SEAT HGT 5" RANGE BASE OPT PLASTIC CASTERS HARD CST OPT ACC	AMIA	Typ. 06
2	2	EL-1620MFFC	Element 15.625x19.625 FF Return/Credenza Pedestal Honey Maple Era Locking, Key Specific (must include lock cor	Y	MHM VK H2X	MFFC	Typ. 06
3	3	EL-1628MBFC	Element 15.625x27.625 BBF Desk Pedestal Honey Maple Era Locking, Key Specific (must include lock cor	Y	MHM VK H2X	MBFC	Typ. 06
4	1	EL-1628MFFC	Element 15.625x27.625 FF Desk Pedestal Honey Maple Era Locking, Key Specific (must include lock cor	Y	MHM VK H2X	MFFC	Typ. 06
5	1	EL-B84T60	Element 268x98 Triple Desk w/ Returns Honey Maple Laminate Honey Maple White Straight Grain No Overlay No Overlay Grommet Center No Shelf No Shelf With Lights	Y	HNP MHM WHT GY ZJ ZJ G3 ZP ZP NY		Typ. 06

# SUNY\_Typical 6

Project: SUNY

#	Qty	Part Number	Description	Complete	Options	Ind. Tag	General Markings
6	1	FT1130	Element 173.625x10.875 Interior Tackboard	Y			Typ. 06
			Grade 3 Fabric		3		
			Undecided		~		

# SUNY\_Typical 07

Project: SUNY

#	Qty	Part Number	Description	Complete	Options	Ind. Tag	General Markings	Upcharge	List	Ext. Sell	Delivery Planning
<b>Typ. 07</b>											
1	8	DSLPLP	SOTO; Launch pad-Powered	Y		SOTO	Typ. 07		\$488.00	\$3,904.00	10.0
			Basic		OPG0000100			\$0.00			
			*BASIC:PLASTIC		PLASTIC			\$0.00			
			ARCTIC WHITE		6009			\$0.00			
			** OPTIONS **		*RG0000077			\$0.00			
			*OPT:PAD OPTIONS		PAD			\$0.00			
			FABRIC FINISH SET 1		FAB SET1			\$39.00			
			FABRIC		FABRIC			\$0.00			
			*FABRIC:COGENT: CONNECT		CONNECT			\$0.00			
			TANGERINE		5S17			\$0.00			
2	8	DSMC	SOTO; Mobile caddy	Y		SOTO	Typ. 07		\$488.00	\$3,904.00	10.0
			Basic		OPG0000100			\$0.00			
			*BASIC:PLASTIC		PLASTIC			\$0.00			
			ARCTIC WHITE		6009			\$0.00			
			** OPTIONS **		*RG0000077			\$0.00			
			*OPT:PAD OPTIONS		PAD			\$0.00			
			FABRIC FINISH SET 1		FAB SET1			\$39.00			
			FABRIC		FABRIC			\$0.00			
			*FABRIC:COGENT: CONNECT		CONNECT			\$0.00			
			SCARLET		5S18			\$0.00			
3	2	TS742THF	Frame, Horizontal package, Thin, 42W	Y		42/54	Typ. 07	\$197.00	\$302.00	\$604.00	2.0
			4743: MINERAL METALLIC		BASIC			\$11.00			
			** OPTIONS **		** OPTIONS **						
			*OPT:TOP CAP OPTIONS		TC OPT						
			WD Top Cap		WOOD CAP			\$190.00			
			3222: QC/OP CLEAR MAPLE		WOOD						
			NO CABLE TRAY		CABLEOPT						
			OMIT 1 SIDE / KNOCKOUT 1 SIDE		BASE OPT			(\$4.00)			
			NO BASE TRAY		TRAY OPT						
4	2	TS742THF	Frame, Horizontal package, Thin, 42W	Y		42/66	Typ. 07	\$7.00	\$112.00	\$224.00	2.0
			4743: MINERAL METALLIC		BASIC			\$11.00			
			** OPTIONS **		** OPTIONS **						
			TOP CAP, OMITTED		TC OPT						
			NO CABLE TRAY		CABLEOPT						
			OMIT 1 SIDE / KNOCKOUT 1 SIDE		BASE OPT			(\$4.00)			
			NO BASE TRAY		TRAY OPT						
5	2	TS748THF	Frame, Horizontal package, Thin, 48W	Y		48/54	Typ. 07	\$197.00	\$308.00	\$616.00	2.0
			4743: MINERAL METALLIC		BASIC			\$11.00			
			** OPTIONS **		** OPTIONS **						
			*OPT:TOP CAP OPTIONS		TC OPT						

# SUNY\_Typical 07

Project: SUNY

#	Qty	Part Number	Description	Complete	Options	Ind. Tag	General Markings	Upcharge	List	Ext. Sell	Delivery Planning
			WD Top Cap		WOOD CAP			\$190.00			
			3222: QC/OP CLEAR MAPLE		WOOD						
			NO CABLE TRAY		CABLEOPT						
			OMIT 1 SIDE / KNOCKOUT 1 SIDE		BASE OPT			(\$4.00)			
			NO BASE TRAY		TRAY OPT						
6	8	TS748THF	Frame, Horizontal package, Thin, 48W	Y		48/54	Typ. 07	\$193.00	\$304.00	\$2,432.00	2.0
			4743: MINERAL METALLIC		BASIC			\$11.00			
			** OPTIONS **		** OPTIONS **						
			*OPT:TOP CAP OPTIONS		TC OPT						
			WD Top Cap		WOOD CAP			\$190.00			
			3222: QC/OP CLEAR MAPLE		WOOD						
			NO CABLE TRAY		CABLEOPT						
			OMIT BASE TRIM BOTH SIDES		BASE OPT			(\$8.00)			
			NO BASE TRAY		TRAY OPT						
7	2	TS748THF	Frame, Horizontal package, Thin, 48W	Y		48/66	Typ. 07	\$11.00	\$122.00	\$244.00	2.0
			4743: MINERAL METALLIC		BASIC			\$11.00			
			** OPTIONS **		** OPTIONS **						
			TOP CAP, OMITTED		TC OPT						
			NO CABLE TRAY		CABLEOPT						
			STD:KNOCKOUT BASE BOTH SIDES		BASE OPT						
			NO BASE TRAY		TRAY OPT						
8	6	TS754TEPJW	Junction-End of run, Wood, Thin, 54H	Y		E54	Typ. 07		\$322.00	\$1,932.00	2.0
			** OPTIONS **		** OPTIONS **						
			*OPT:TRIM PACKAGE		TRIM						
			WOOD TRIM PKG		WOOD						
			3222: QC/OP CLEAR MAPLE		UPRIGHT						
9	5	TS754TIPJ	Junction-In line, Thin, 54H	Y		I54	Typ. 07		\$74.00	\$370.00	2.0
10	2	TS754TLPJW	Junction-L, Wood, Thin, 54H	Y		L54	Typ. 07		\$440.00	\$880.00	2.0
			** OPTIONS **		** OPTIONS **						
			*OPT:TRIM PACKAGE		TRIM						
			WOOD TRIM PKG		WOOD						
			3222: QC/OP CLEAR MAPLE		UPRIGHT						
11	2	TS7565TCTJW	Junction-T, Wood, Change of height, Thin, 54 to 66 to 54	Y		T54-66-54	Typ. 07		\$749.00	\$1,498.00	2.0
			** OPTIONS **		** OPTIONS **						
			*OPT:TRIM PACKAGE		TRIM						
			WOOD TRIM PKG		WOOD						
			3222: QC/OP CLEAR MAPLE		UPRIGHT						
12	3	TS766TIPJ	Junction-In line, Thin, 66H	Y		I66	Typ. 07		\$74.00	\$222.00	2.0
13	2	TS71242LS	Skin, Laminate, 12H x 42W	Y			Typ. 07		\$338.00	\$676.00	3.0
			2409: CLEAR MAPLE (HPL)		SURFACE						

# SUNY\_Typical 07

Project: SUNY

#	Qty	Part Number	Description	Complete	Options	Ind. Tag	General Markings	Upcharge	List	Ext. Sell	Delivery Planning
			4743: MINERAL METALLIC		TRIM						
14	2	TS71248LS	Skin, Laminate, 12H x 48W	Y			Typ. 07		\$349.00	\$698.00	3.0
			2409: CLEAR MAPLE (HPL)		SURFACE						
			4743: MINERAL METALLIC		TRIM						
15	2	TS71290TFGR	Screen-Frameless glass, Recessed, Thin, 12H x 90W	Y		FG/90-R	Typ. 07	\$252.00	\$1,189.00	\$2,378.00	3.0
			** OPTIONS **		** OPTIONS **						
			*OPT:TOP CAP OPTIONS		TC OPT						
			WD Top Cap		WOOD CAP			\$252.00			
			3222: QC/OP CLEAR MAPLE		WOOD						
			STD:GLASS OPTION		GLAS OPT						
16	5	TS71SSY	Receptacle-System ground, Line 1, 2+2	Y			Typ. 07		\$42.00	\$210.00	3.0
			6651: TUNGSTEN		PLASTIC						
17	4	TS72442HS	Panel skin-Hard surface, 24H x 42W	Y			Typ. 07	\$25.00	\$152.00	\$608.00	3.0
			4743: MINERAL METALLIC		SURFACE			\$25.00			
			** OPTIONS **		** OPTIONS **						
			STD:PLAIN STEEL SURFACE		SURF OPT						
18	4	TS72442SW	Slatwall, 24H x 42W	Y			Typ. 07		\$459.00	\$1,836.00	3.0
			4743: MINERAL METALLIC		BASIC						
19	4	TS72448HS	Panel skin-Hard surface, 24H x 48W	Y			Typ. 07	\$25.00	\$162.00	\$648.00	3.0
			4743: MINERAL METALLIC		SURFACE			\$25.00			
			** OPTIONS **		** OPTIONS **						
			STD:PLAIN STEEL SURFACE		SURF OPT						
20	4	TS72448SW	Slatwall, 24H x 48W	Y			Typ. 07		\$481.00	\$1,924.00	3.0
			4743: MINERAL METALLIC		BASIC						
21	4	TS72SSY	Receptacle-System ground, Line 2, 2+2	Y			Typ. 07		\$42.00	\$168.00	3.0
			6651: TUNGSTEN		PLASTIC						
22	2	TS73SSY	Receptacle-System ground, Line 3, 2+2	Y			Typ. 07		\$42.00	\$84.00	3.0
			6651: TUNGSTEN		PLASTIC						
23	2	TS74842LSF	Panel skin, Laminate, Floor, 48H x 42W	Y			Typ. 07		\$512.00	\$1,024.00	3.0
			2409: CLEAR MAPLE (HPL)		SURFACE						
			4743: MINERAL METALLIC		TRIM						
24	18	TS74848LSF	Panel skin, Laminate, Floor, 48H x 48W	Y			Typ. 07		\$554.00	\$9,972.00	3.0
			2409: CLEAR MAPLE (HPL)		SURFACE						
			4743: MINERAL METALLIC		TRIM						
25	3	TS74SSY	Receptacle-System ground, Line 4, 2+2	Y			Typ. 07		\$42.00	\$126.00	3.0

# SUNY\_Typical 07

Project: SUNY

#	Qty	Part Number	Description	Complete	Options	Ind. Tag	General Markings	Upcharge	List	Ext. Sell	Delivery Planning
26	2	TS76042LSF	6651: TUNGSTEN Panel skin, Laminate, Floor, 60H x 42W	Y	PLASTIC		Typ. 07		\$563.00	\$1,126.00	3.0
			2409: CLEAR MAPLE (HPL)		SURFACE						
			4743: MINERAL METALLIC		TRIM						
27	2	TS76048LS	Skin, Laminate, 60H x 48W	Y			Typ. 07		\$609.00	\$1,218.00	3.0
			2409: CLEAR MAPLE (HPL)		SURFACE						
			4743: MINERAL METALLIC		TRIM						
28	2	TS7BPNY42Y	Power infeed, 2+2, New York City application, 42W	Y		BPI/42 NYC	Typ. 07		\$257.00	\$514.00	3.0
29	2	TS7PK42Y	Kit-Power, 2+2, 42W	Y		PK	Typ. 07		\$205.00	\$410.00	3.0
30	4	TS7PK48Y	Kit-Power, 2+2, 48W	Y		PK	Typ. 07		\$205.00	\$820.00	3.0
31	2	TS7STLS1	In line-Spanning Top Cap, Package quantity 1, Lightseal	Y			Typ. 07		\$16.00	\$32.00	3.0
32	8	DSLPS	SOTO; Launch pad-Divider screen	Y		SOTO	Typ. 07		\$114.00	\$912.00	3.0
33	6	UCSP	Support panel-Center, On module application, 11D x 27H	Y		CP	Typ. 07	\$12.00	\$153.00	\$918.00	4.0
			4743: MINERAL METALLIC		BASIC			\$12.00			
34	4	UEP24	Panel-End, On module application, 24D x 27H	Y		EP/24	Typ. 07	\$31.00	\$417.00	\$1,668.00	4.0
			4743: MINERAL METALLIC		BASIC			\$31.00			
35	2	UFP	Leg-Universal post	Y		PS	Typ. 07	\$20.00	\$193.00	\$386.00	4.0
			4743: MINERAL METALLIC		BASIC			\$20.00			
36	4	US2490	Worksurface-Straight, 1/2 cord drop, 23 1/2D x 90W	Y		24/90	Typ. 07		\$603.00	\$2,412.00	4.0
			6237: CLEAR MAPLE		EDGE						
			2409: CLEAR MAPLE (HPL)		TOP-SURF						
			** OPTIONS **		** OPTIONS **						
			Center Scallop		WKSF OPT						
37	4	TS7WKSPT72	Reinforcing channel, 72W	Y		RC	Typ. 07		\$51.00	\$204.00	5.0
38	4	E6BF153045P	Bookcase-Freestanding, Plinth base, Open, 15D x 30W x 45H	Y		BC/3H/30	Typ. 07		\$1,469.00	\$5,876.00	7.0
			2409: CLEAR MAPLE (HPL)		BASIC			(\$482.00)			
			** OPTIONS **		** OPTIONS **						
			STD:3/4 INCH SHELF		SHELF OPT						
39	1	M03MINIA	media:scape; mini, America power application	Y		MPS/S42	Typ. 07	\$0.00	\$0.00	\$0.00	9.0
40	8	TS31201A	Shortcut-Chair, Multipurpose	Y		TS31201A	Typ. 07	\$201.00	\$647.00	\$5,176.00	9.0
			Plastic - PG1		Shell Finish Group						
			6009:ARCTIC WHITE		Shell Finish						
			Plastic - PG1		Base Finish Group						
			6205:BLACK		Base Finish						
			With Cushion		Cushion Option			\$148.00			

# SUNY\_Typical 07

Project: SUNY

#	Qty	Part Number	Description	Complete	Options	Ind. Tag	General Markings	Upcharge	List	Ext. Sell	Delivery Planning
			Brisa		Cushion Finish Group			\$53.00			
			BR11:CAMBRIDGE		Cushion Finish						
			Hard Casters		Caster or Glide Type						
41	6	TS31202B	Shortcut-Stool, Multipurpose	Y		TS31202B	Typ. 07	\$201.00	\$841.00	\$5,046.00	9.0
			Plastic - PG1		Shell Finish Group						
			6333:PICASSO		Shell Finish						
			Plastic - PG1		Base Finish Group						
			6205:BLACK		Base Finish						
			With Cushion		Cushion Option			\$148.00			
			Brisa		Cushion Finish Group			\$53.00			
			BR11:CAMBRIDGE		Cushion Finish						
			Hard Casters		Caster or Glide Type						
42	1	TS4TLP40	Campfire; Big Table, Power cutout, 96W x 48D x 40H	Y		48/96-PC	Typ. 07	\$1,626.00	\$3,965.00	\$3,965.00	9.0
			** OPTIONS **		** OPTIONS **						
			*OPT:TOP OPTION		TOP OPT						
			HPL TOP		HPL TOP						
			2409: CLEAR MAPLE (HPL)		TOP-SURF			\$837.00			
			NO CONTRASTING MODESTY PANEL		CON OPT						
			RECEPTACLE WITH 2 POWER AND 0		PWR OPT			\$789.00			
								<b>Total Typ. 07</b>		<b>\$67,865.00</b>	

Discount (0 %)	\$0.00
Freight	\$0.00
Packing	\$0.00
Assembly	\$0.00
Environmental fees	\$0.00
<b>Total</b>	<b>\$67,865.00</b>

# SUNY\_Typical 08

Project: SUNY

#	Qty	Part Number	Description	Complete	Options	Ind. Tag	General Markings	Upcharge	List	Ext. Sell	Delivery Planning
<b>Typ. 08</b>											
1	1	E6WS30102	Worksurface-Straight, 30D x 102W	Y		30/102	Typ. 08		\$1,322.00	\$1,322.00	4.0
			2409: CLEAR MAPLE (HPL)		TOP-SURF			(\$399.00)			
			** OPTIONS **		** OPTIONS **						
			*OPT:WORKSURFACE PROFILE OPTIONS		PROF OPT						
			LAMINATE WKSF PROFILE OPTIONS		LAMPROF						
			LAM WS 3MM PLASTIC		LAM SQ						
			6237: CLEAR MAPLE		EDGE						
			STD:NO SCALLOPS		SCAL OPT						
2	2	E6BFL153045P	Bookcase-Freestanding, Leg base, Open, 15D x 30W x 45H	Y		BC/3H/30-L	Typ. 08		\$1,823.00	\$3,646.00	7.0
			2409: CLEAR MAPLE (HPL)		BASIC			(\$482.00)			
			8043: CLEAR ANODIZED ALUM		LEGS						
			** OPTIONS **		** OPTIONS **						
			STD:3/4 INCH SHELF		SHELF OPT						
			STD:FREESTANDING LEGS (4 LEGS)		LEG						
3	4	E6BFL153645P	Bookcase-Freestanding, Leg base, Open, 15D x 36W x 45H	Y		BC/3H/36-L	Typ. 08		\$1,931.00	\$7,724.00	7.0
			2409: CLEAR MAPLE (HPL)		BASIC			(\$482.00)			
			8043: CLEAR ANODIZED ALUM		LEGS						
			** OPTIONS **		** OPTIONS **						
			STD:3/4 INCH SHELF		SHELF OPT						
			STD:FREESTANDING LEGS (4 LEGS)		LEG						
									<b>Total Typ. 08</b>	<b>\$12,692.00</b>	

Discount (0 %)	\$0.00
Freight	\$0.00
Packing	\$0.00
Assembly	\$0.00
Environmental fees	\$0.00
<b>Total</b>	<b>\$12,692.00</b>



# SUNY\_Typical 09

Project: SUNY

#	Qty	Part Number	Description	Complete	Options	Ind. Tag	General Markings	Upcharge	List	Ext. Sell	Delivery Planning
<b>Typ. 09</b>											
1	4	TS4TST	Campfire; Skate table, 18D x 22W x 24 7/8H	Y		18/22	Typ. 09	\$76.00	\$552.00	\$2,208.00	9.0
			4743: MINERAL METALLIC		BASIC						
			** OPTIONS **		** OPTIONS **						
			*OPT:TOP SELECTION		TOP OPT						
			HPL TOP		HPL TOP						
			2536: BLACKWOOD (HPL)		TOP-SURF			\$76.00			
			6243: BLACKWOOD		EDGE						
2	2	TS31416H	Jenny; Table-Coffee, High pressure laminate	Y		JENNY	Typ. 09		\$625.00	\$1,250.00	9.0
			Basic		OPG0000356			\$0.00			
			*BASIC:LAMINATE (LPL)		LAM LPL			\$0.00			
			BLACKWOOD (LPL)		25L6			\$0.00			
			Edge		OPG0000384			\$0.00			
			*EDGE:PLASTIC		PLASTIC			\$0.00			
			BLACKWOOD		6243			\$0.00			
			Top Surface		OPG0000453			\$0.00			
			*TOP-SURF:LAMINATE (HPL)		LAM HPL			\$0.00			
			BLACKWOOD (HPL)		2536			\$0.00			
			** OPTIONS **		*RG0000259			\$0.00			
			Legs		LEG OPT			\$0.00			
			ALUMINUM LEGS		ALUMINUM			\$118.00			
3	3	TS3BCM	Campfire; Big Lounge, Multiple fabric	Y		BIG LOUNGE	Typ. 09		\$2,936.00	\$8,808.00	9.0
			Back		OPG0000349			\$0.00			
			*BACK:CUST OWN MAT		C.O.M.			\$16.00			
			MISC FABRIC		5999						
			10980		Fabric Vendor Name:						
					Pattern Number:						
			CANNON BEACH		Pattern Name:						
			63006		Color Number:						
			EDGEWATER		Color Name:						
			V		Application Direction:						
					Deal Number:						
			0		Reservation Number:						
			62.95		Fabric Pricing Information:						
			S		Purchasing Responsibility:						
			Seat		OPG0000427			\$0.00			

# SUNY\_Typical 09

Project: SUNY

#	Qty	Part Number	Description	Complete	Options	Ind. Tag	General Markings	Upcharge	List	Ext. Sell	Delivery Planning
			*SEAT:CUST OWN MAT		C.O.M.			\$16.00			
			MISC FABRIC		5999						
			43725		Fabric Vendor Name:						
					Pattern Number:						
			FAUX FELT		Pattern Name:						
			09193589		Color Number:						
			SPROUT		Color Name:						
			H		Application Direction:						
					Deal Number:						
			0		Reservation Number:						
			32.50		Fabric Pricing Information:						
			S		Purchasing Responsibility:						
4	18	Cannon Beach_Edgewater	Fabric for Lounge Back	Y			Typ. 09		\$62.95	\$1,133.10	
5	9	Momentum_Faux Felt	Fabric for Lounge Seat	Y			Typ. 09		\$35.50	\$319.50	
									<b>Total Typ. 09</b>	<b>\$13,718.60</b>	

Discount (0 %)	\$0.00
Freight	\$0.00
Packing	\$0.00
Assembly	\$0.00
Environmental fees	\$0.00
<b>Total</b>	<b>\$13,718.60</b>

# SUNY\_Typical 09

Project: SUNY

#	Qty	Part Number	Description	Complete	Options	Ind. Tag	General Markings	Upcharge	List	Ext. Sell	Delivery Planning
<b>Typ. 09</b>											
1	4	TS4TST	Campfire; Skate table, 18D x 22W x 24 7/8H	Y		18/22	Typ. 09	\$76.00	\$552.00	\$2,208.00	9.0
			4743: MINERAL METALLIC		BASIC						
			** OPTIONS **		** OPTIONS **						
			*OPT:TOP SELECTION		TOP OPT						
			HPL TOP		HPL TOP						
			2536: BLACKWOOD (HPL)		TOP-SURF			\$76.00			
			6243: BLACKWOOD		EDGE						
2	2	TS31416H	Jenny; Table-Coffee, High pressure laminate	Y		JENNY	Typ. 09		\$625.00	\$1,250.00	9.0
			Basic		OPG0000356			\$0.00			
			*BASIC:LAMINATE (LPL)		LAM LPL			\$0.00			
			BLACKWOOD (LPL)		25L6			\$0.00			
			Edge		OPG0000384			\$0.00			
			*EDGE:PLASTIC		PLASTIC			\$0.00			
			BLACKWOOD		6243			\$0.00			
			Top Surface		OPG0000453			\$0.00			
			*TOP-SURF:LAMINATE (HPL)		LAM HPL			\$0.00			
			BLACKWOOD (HPL)		2536			\$0.00			
			** OPTIONS **		*RG0000259			\$0.00			
			Legs		LEG OPT			\$0.00			
			ALUMINUM LEGS		ALUMINUM			\$118.00			
3	3	TS3BCM	Campfire; Big Lounge, Multiple fabric	Y		BIG LOUNGE	Typ. 09		\$2,936.00	\$8,808.00	9.0
			Back		OPG0000349			\$0.00			
			*BACK:CUST OWN MAT		C.O.M.			\$16.00			
			MISC FABRIC		5999						
			10980		Fabric Vendor Name:						
					Pattern Number:						
			CANNON BEACH		Pattern Name:						
			63006		Color Number:						
			EDGEWATER		Color Name:						
			V		Application Direction:						
					Deal Number:						
			0		Reservation Number:						
			62.95		Fabric Pricing Information:						
			S		Purchasing Responsibility:						
			Seat		OPG0000427			\$0.00			

# SUNY\_Typical 09

Project: SUNY

#	Qty	Part Number	Description	Complete	Options	Ind. Tag	General Markings	Upcharge	List	Ext. Sell	Delivery Planning
			*SEAT:CUST OWN MAT		C.O.M.			\$16.00			
			MISC FABRIC		5999						
			43725		Fabric Vendor Name:						
					Pattern Number:						
			FAUX FELT		Pattern Name:						
			09193589		Color Number:						
			SPROUT		Color Name:						
			H		Application Direction:						
					Deal Number:						
			0		Reservation Number:						
			32.50		Fabric Pricing Information:						
			S		Purchasing Responsibility:						
4	18	Cannon Beach_Edgewater	Fabric for Lounge Back	Y			Typ. 09		\$62.95	\$1,133.10	
5	9	Momentum_Faux Felt	Fabric for Lounge Seat	Y			Typ. 09		\$35.50	\$319.50	
									<b>Total Typ. 09</b>	<b>\$13,718.60</b>	

Discount (0 %)	\$0.00
Freight	\$0.00
Packing	\$0.00
Assembly	\$0.00
Environmental fees	\$0.00
<b>Total</b>	<b>\$13,718.60</b>

# SUNY\_Typical 10

Project: SUNY

#	Qty	Part Number	Description	Complete	Options	Ind. Tag	General Markings	Upcharge	List	Ext. Sell	Delivery Planning
<b>Typ. 10</b>											
1	2	488WE	Brody; Chair-Lounge, Privacy, Extension	Y		BRODY	Typ. 10	\$307.00	\$6,697.00	\$13,394.00	9.0
			Billiard		Lower Surround Finish Group			\$149.00			
			5H17: MALLARD		Lower Surround Finish						
			Textured Paint		Foot Finish Group						
			7243:SEAGULL		Foot Finish						
			Fabric		Trim Type						
			Billiard		Trim Finish Group			\$49.00			
			5H17:MALLARD		Trim Finish						
			Brisa		Seat Finish Group			\$109.00			
			BR19: CREAM		Seat Finish						
			Plastic - PG1		Seat Shell Finish Group						
			6249:PLATINUM SOLID		Seat Shell Finish						
			Light		Color Scheme						
			User's Left		Side Surface Location						
			Woodgrain HPL		Side Surface Finish Group						
			2536: BLACKWOOD (HPL)		Side Surface Finish						
			Plastic - PG1		Edge Finish Group						
			6243:BLACKWOOD		Edge Finish						
			Textured Paint		Caddy Finish Group						
			7243:SEAGULL		Caddy Finish						
			Textured Paint		Frame Finish Group						
			7243:SEAGULL		Frame Finish						
			Personal Worksurface		Worksurface						
			Plastic - PG1		Personal Wksf Finish Group						
			6053:SEAGULL		Personal Wksf Finish						
			Smooth Metallic		Personal Wksf Arm Finish Group						
			4799:PLATINUM METALLIC		Personal Wksf Arm Finish						
			With 1 USB, 1 NEMA Outlet		Power Outlet Type						
			Standard NEMA 5-15 3-Prong		Power Plug Type						
			Textured Paint		Power Finish Group						
			7243:SEAGULL		Power Finish						
			With Light		Light						
			Smooth Paint		Light Finish Group						
			4231: ARCTIC WHITE		Light Finish						
			Acrylic		Screen Type						
			Plastic - PG1		Screen Finish Group						
			6559: SATIN ICE		Screen Finish						
			Left and Right		Screen Location						
			Textured Paint		Screen Bracket Finish Group						

# SUNY\_Typical 10

Project: SUNY

#	Qty	Part Number	Description	Complete	Options	Ind. Tag	General Markings	Upcharge	List	Ext. Sell	Delivery Planning
			7243:SEAGULL		Screen Bracket Finish						
			No Soil Retardant		Soil Retardant Option						
										<b>Total Typ. 10</b>	<b>\$13,394.00</b>

Discount (0 %)	\$0.00
Freight	\$0.00
Packing	\$0.00
Assembly	\$0.00
Environmental fees	\$0.00
<b>Total</b>	<b>\$13,394.00</b>

# Waiting 1

Project: SUNY

#	Qty	Part Number	Description	Complete	Options	Ind. Tag	General Markings
<b>Waiting 1 Typ.</b>							
1	2	TS31407	Jenny; Chair-Club Upholstery	Y	OPG0000477	JENNY	Waiting 1 Typ.
			*UPHLLSTRY:BUZZ 2		BUZZ 2		
			CYAN		5G61		
			** OPTIONS **		*RG0000205		
			Legs		LEG OPT		
			WOOD LEGS		WOOD		
			Legs		LEGS		
			*LEGS:WOOD		WOOD VEN		
			FC/OP CLEAR MAPLE		3522		
2	1	TS34411T	Alight; Table-Coffee Base	Y	OPG0000351	ALIGHT	Waiting 1 Typ.
			*BASE:WOOD		WOOD VEN		
			FC/OP DARK WALNUT		3762		

# SUNY\_Waiting 2

Project: SUNY

#	Qty	Part Number	Description	Complete	Options	Ind. Tag	General Markings	Upcharge	List	Ext. Sell	Delivery Planning
<b>Waiting 2 Typ.</b>											
1	2	TS4TPST	Campfire; Slim Table, 14D x 66W x 23H	Y		66/14	Waiting 2 Typ.	\$188.00	\$1,133.00	\$2,266.00	9.0
			4743: MINERAL METALLIC		BASIC						
			** OPTIONS **		** OPTIONS **						
			*OPT:TOP SELECTION		TOP OPT						
			HPL TOP		HPL TOP						
			2536: BLACKWOOD (HPL)		TOP-SURF			\$188.00			
			6243: BLACKWOOD		EDGE						
2	2	TS3BCM	Campfire; Big Lounge, Multiple fabric	Y		BIG LOUNGE	Waiting 2 Typ.		\$3,037.00	\$6,074.00	9.0
			Back		OPG0000349			\$0.00			
			*BACK:CUST OWN MAT		C.O.M.			\$16.00			
			MISC FABRIC		5999						
			10980		Fabric Vendor Name:						
					Pattern Number:						
			CANNON BEACH		Pattern Name:						
			63004		Color Number:						
			STARFISH		Color Name:						
			V		Application Direction:						
					Deal Number:						
			0		Reservation Number:						
			62.95		Fabric Pricing Information:						
			S		Purchasing Responsibility:						
			Seat		OPG0000427			\$0.00			
			*SEAT:GRADED-IN PRC GRP 04		GRDIN 04			\$117.00			
			GRADED IN PR. GRP. 4		59DD						
			02351		Fabric Vendor Name:						
			FT		Pattern Number:						
			FLORENTINO		Pattern Name:						
			034		Color Number:						
			BLUE JAY		Color Name:						
			H		Application Direction:						
			MAYER0001		Deal Number:						
					Reservation Number:						
					Fabric Pricing Information:						
			S		Purchasing Responsibility:						
3	12	Cannon Beach_Starfish	Fabric for Lounge Back	Y			Waiting 2 Typ.		\$62.95	\$755.40	
									<b>Total Waiting 2 Typ.</b>	<b>\$9,095.40</b>	

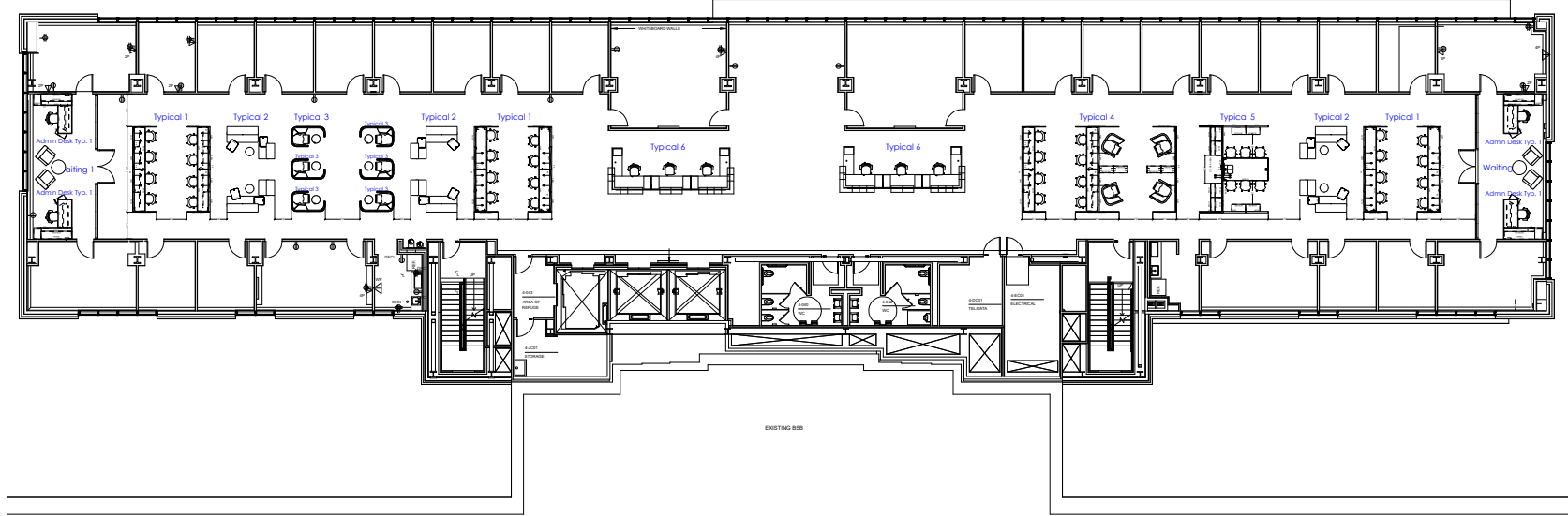


# SUNY\_Waiting 2

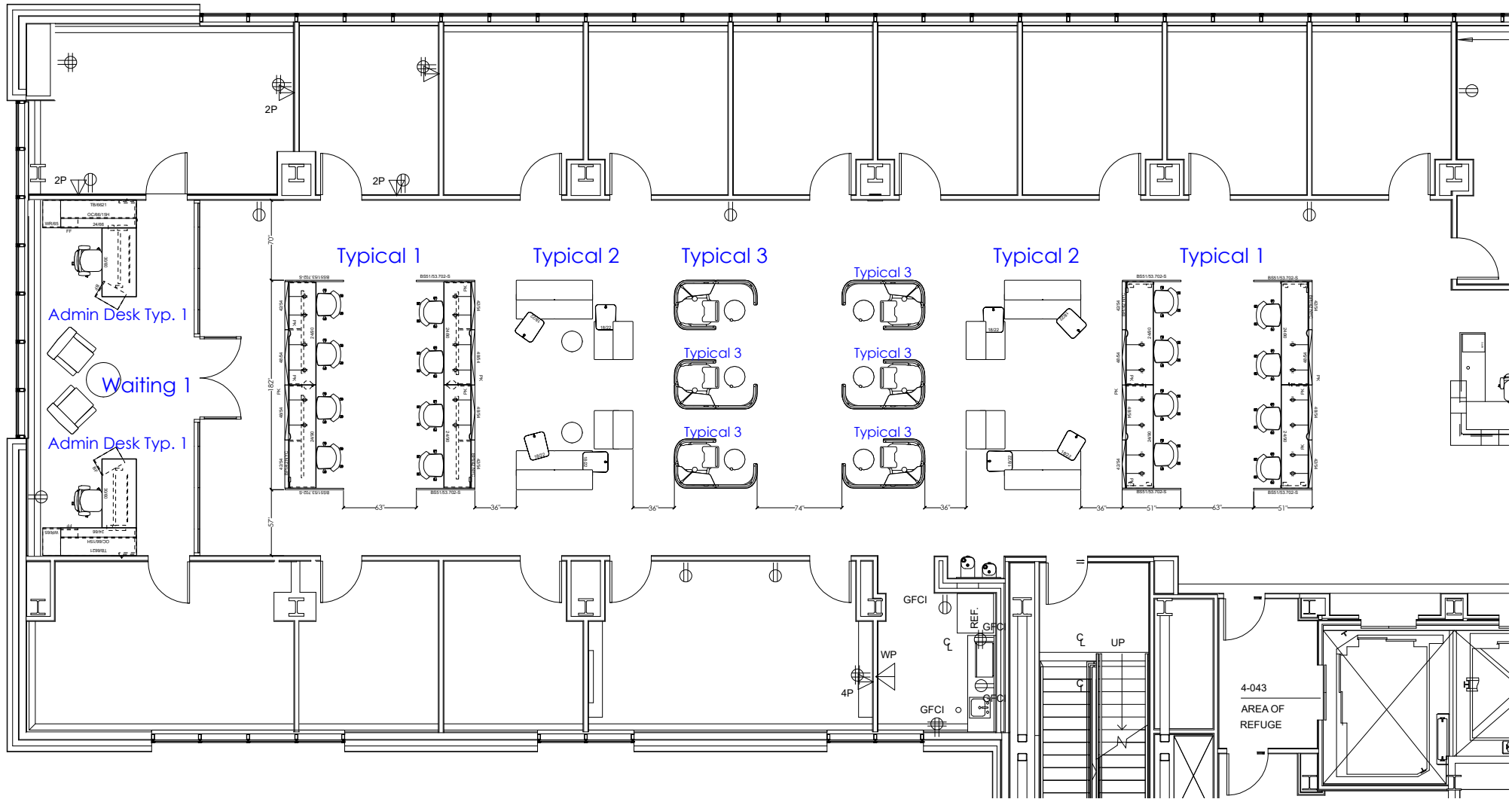
Project: SUNY

#	Qty	Part Number	Description	Complete	Options	Ind. Tag	General Markings	Upcharge	List	Ext. Sell	Delivery Planning
									Discount (0 %)	\$0.00	
									Freight	\$0.00	
									Packing	\$0.00	
									Assembly	\$0.00	
									Environmental fees	\$0.00	
									<b>Total</b>	<b>\$9,095.40</b>	

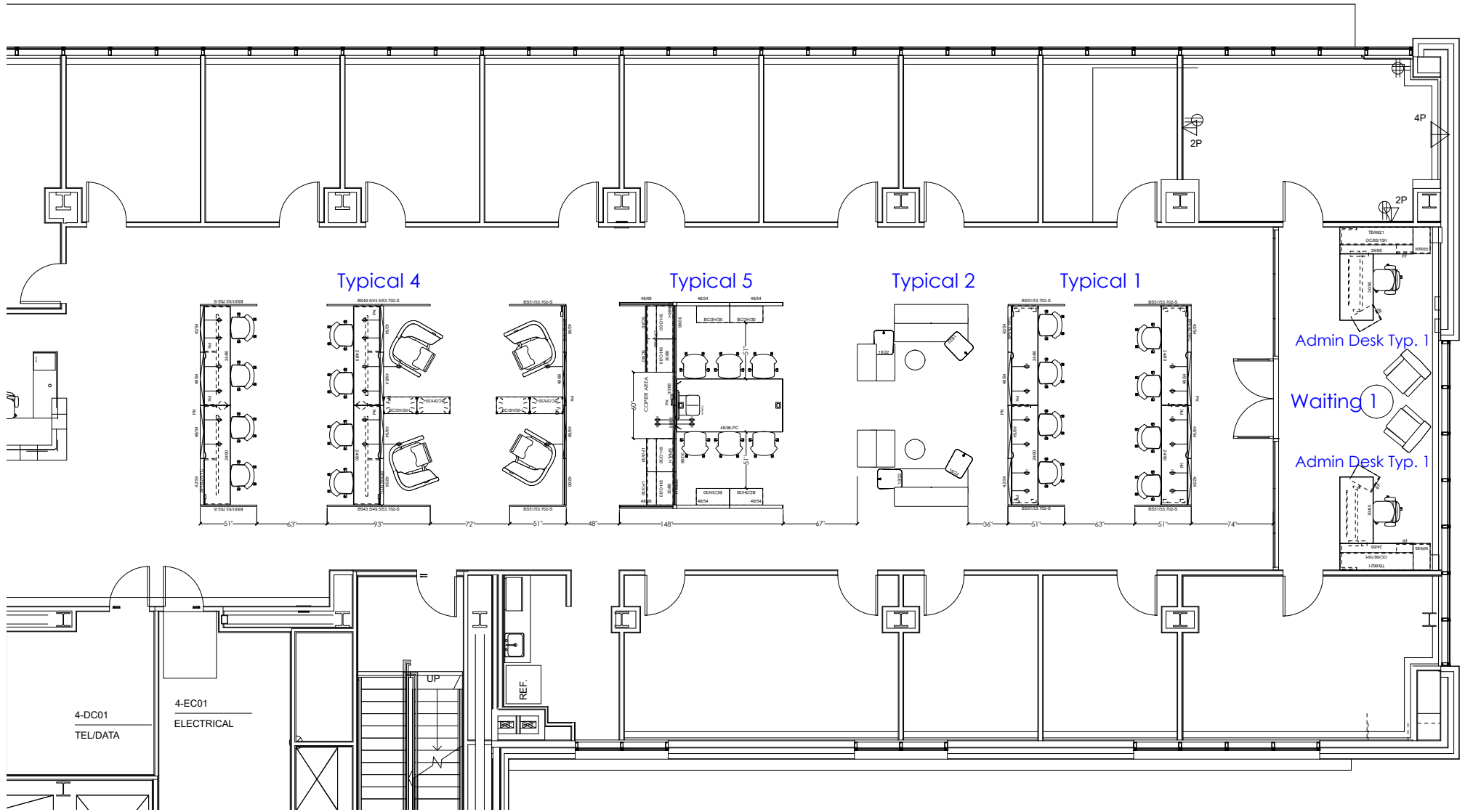
PLAN VIEW



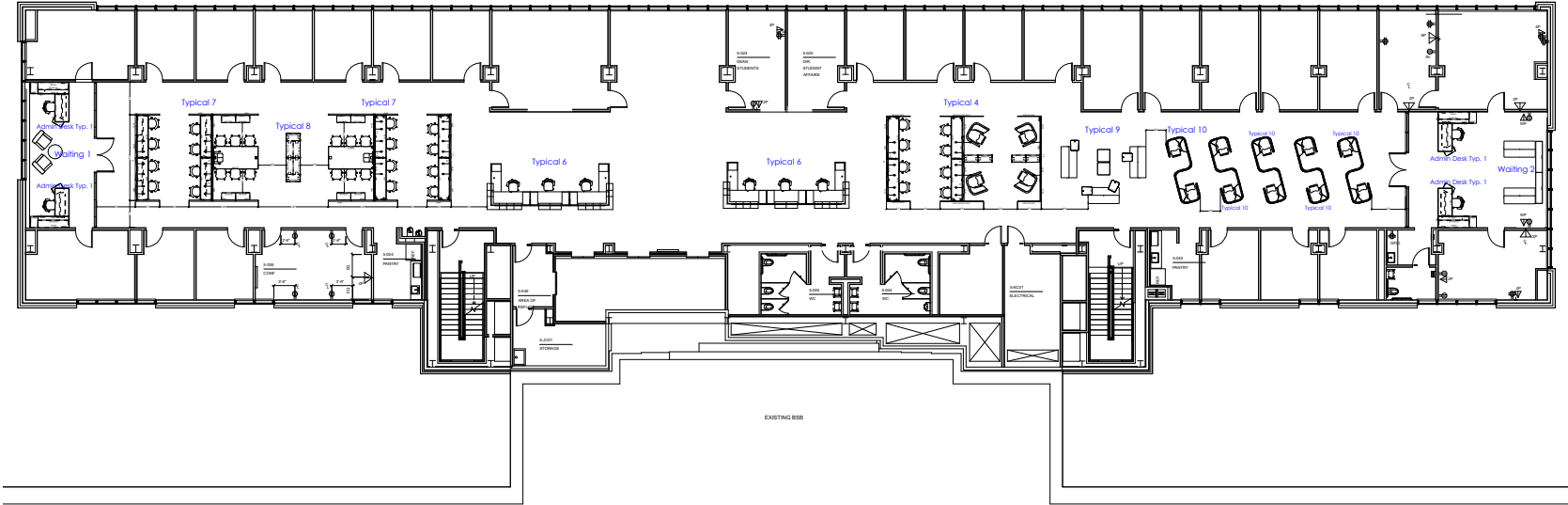
# PLAN VIEW



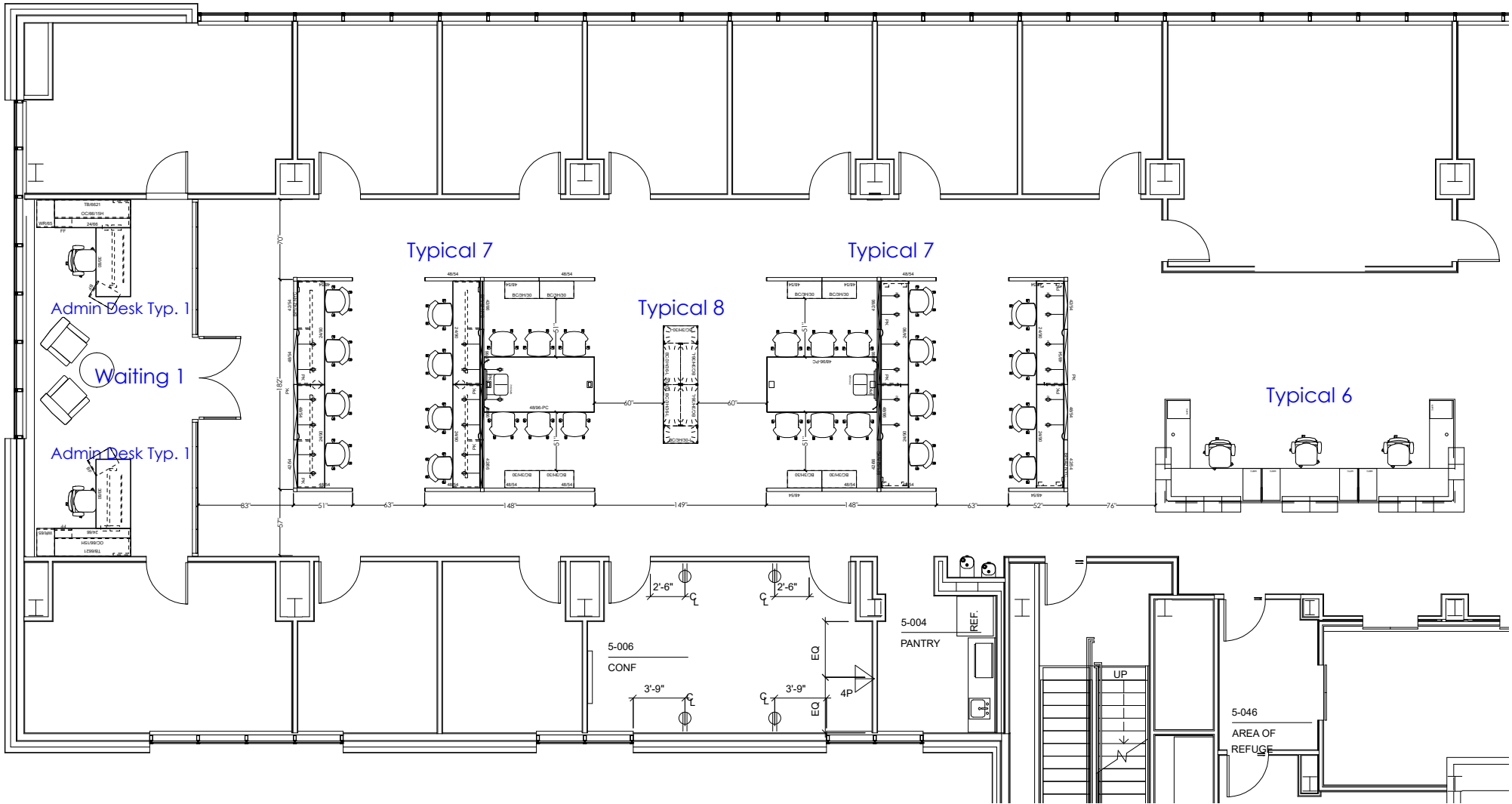
# PLAN VIEW



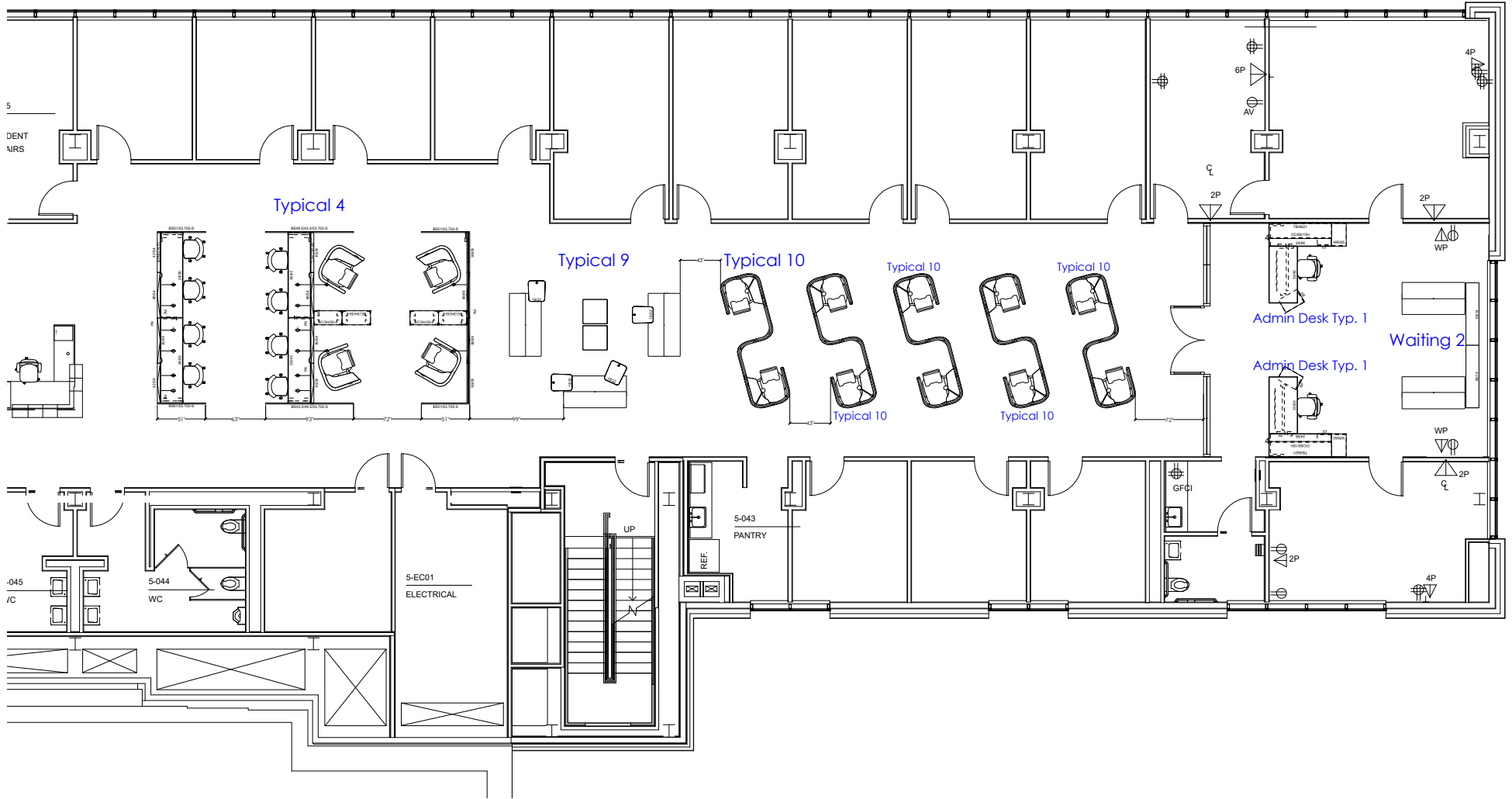
PLAN VIEW



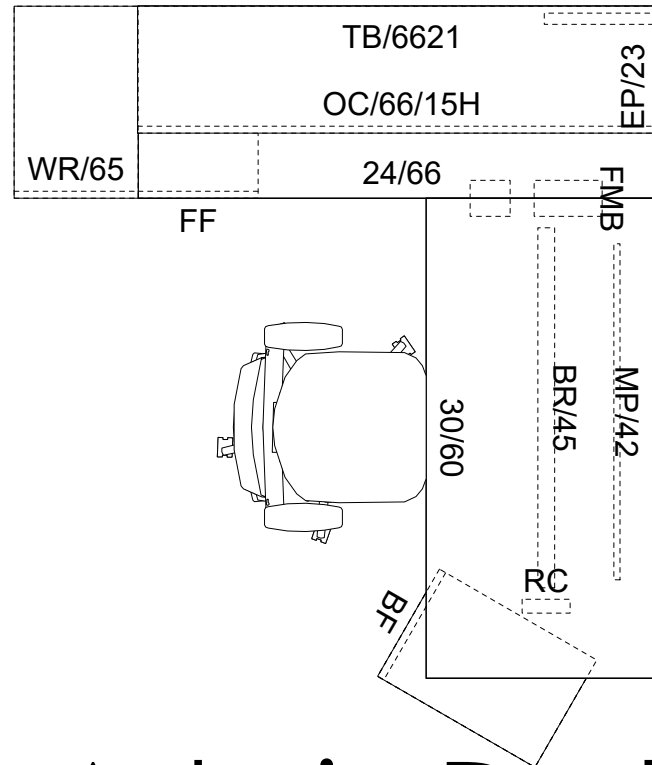
# PLAN VIEW



# PLAN VIEW



PLAN VIEW



# Admin Desk Typ. 1

Scale: 1/2" = 1'



PLAN VIEW



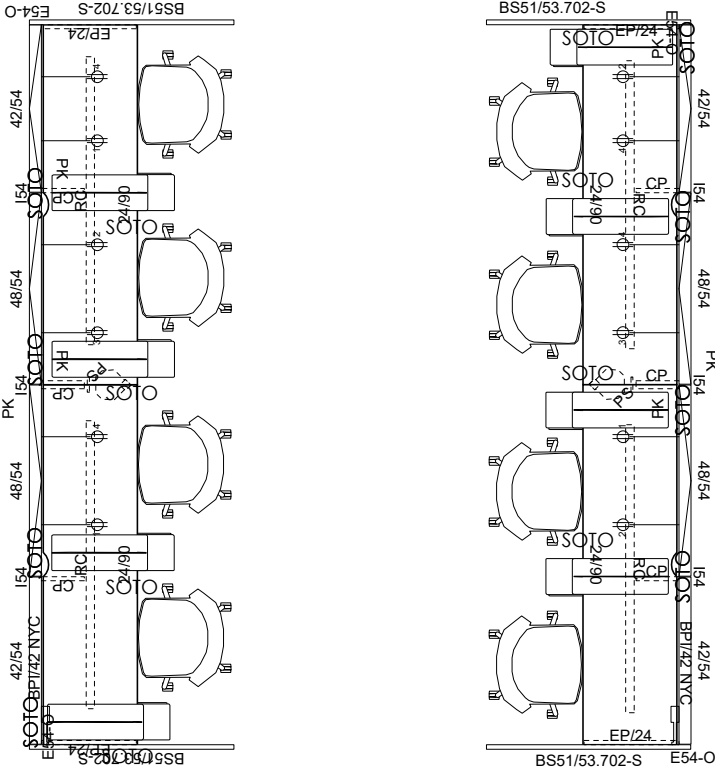
Scale: 1/2" = 1'

PLAN VIEW



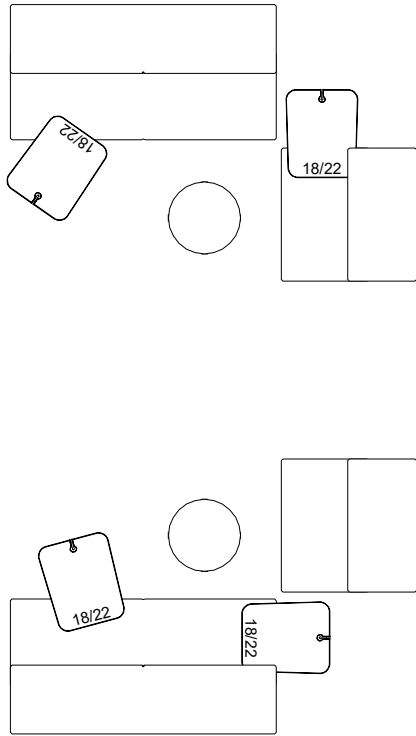
Scale: 1/2" = 1'

# Typical 1



Scale: 1/4" = 1'

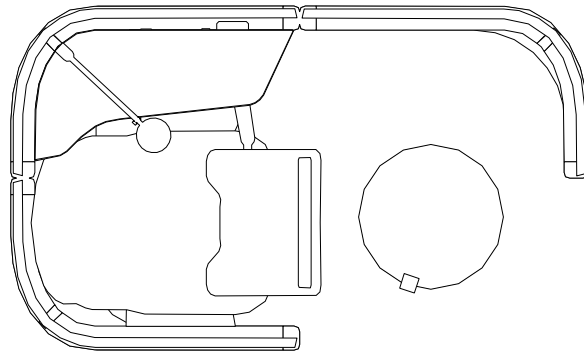
# Typical 2



Scale: 1/4" = 1'

PLAN VIEW

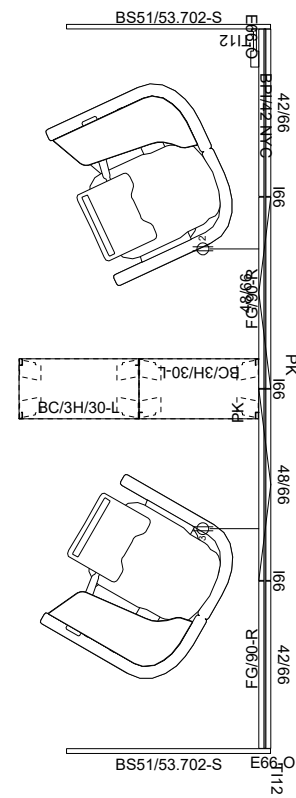
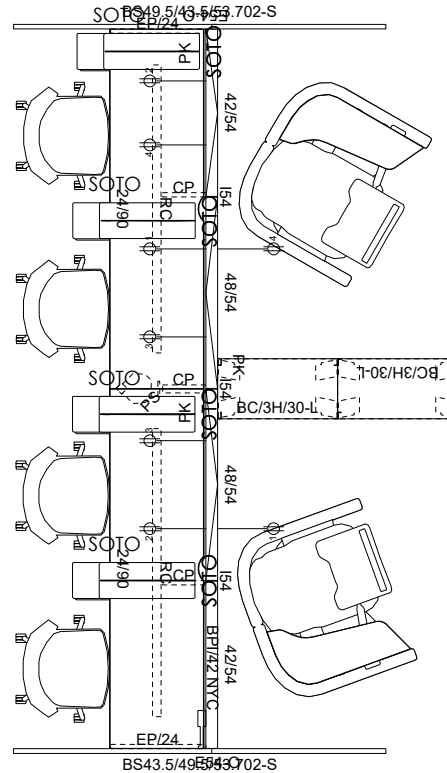
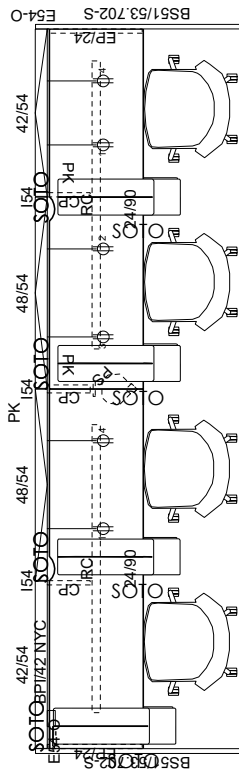
# Typical 3



Scale: 1/2" = 1'

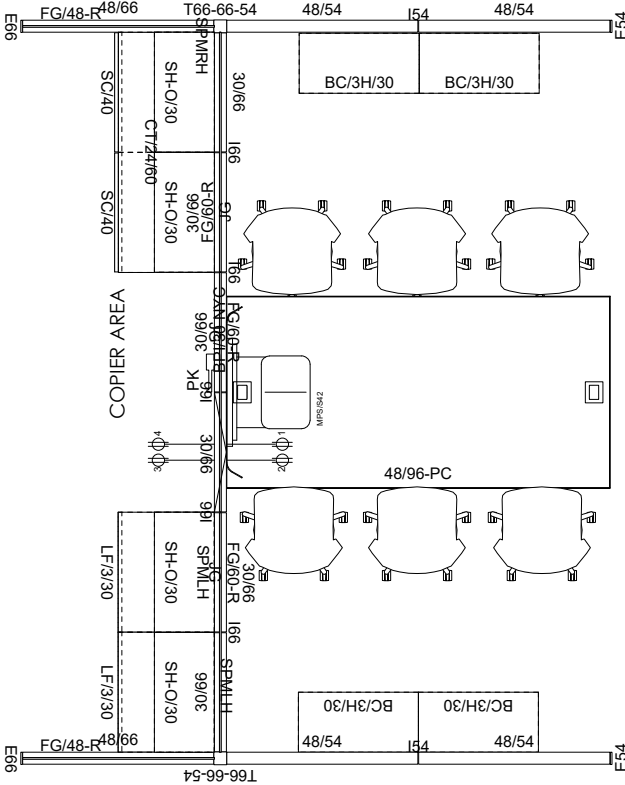
PLAN VIEW

# Typical 4



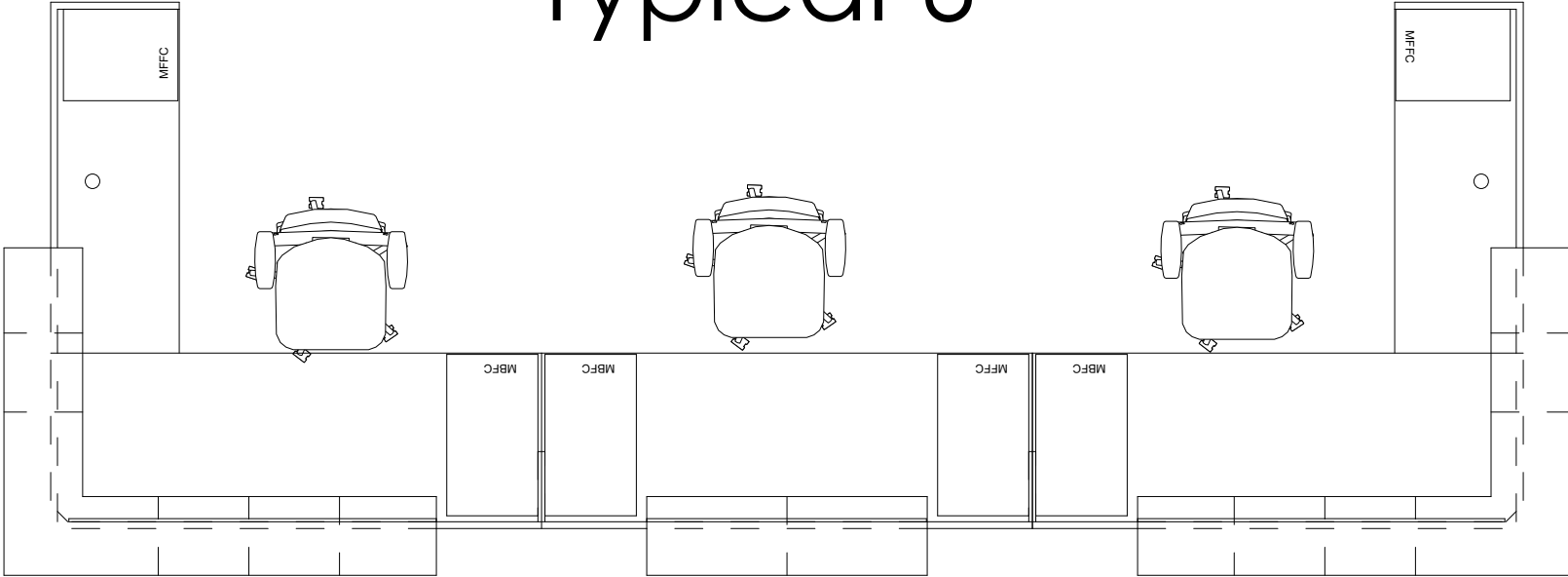
Scale: ~1/4" = 1'

# Typical 5



Scale: 1/4" = 1'

# Typical 6

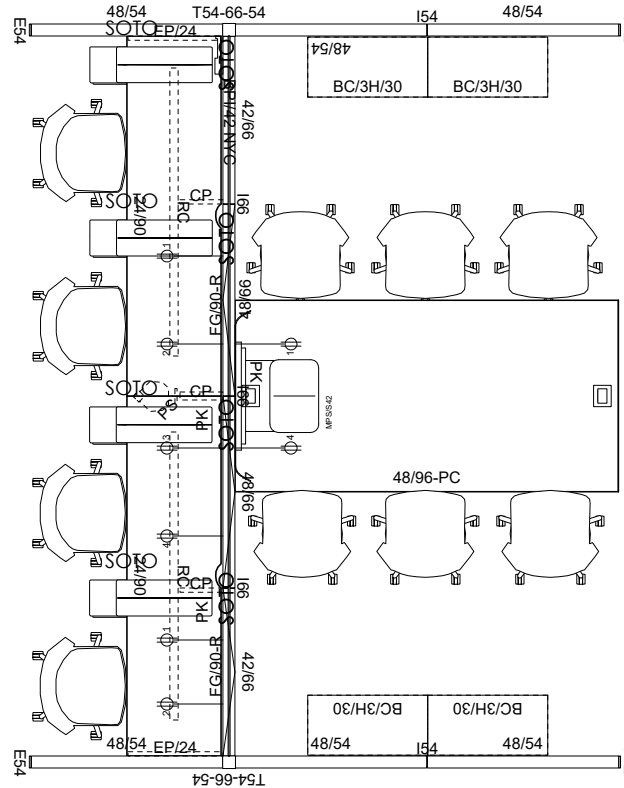
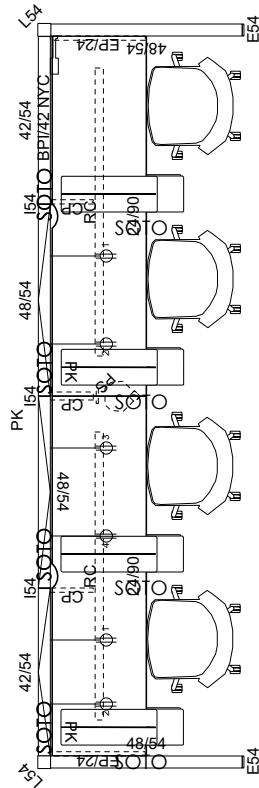


Scale: 3/8" = 1'



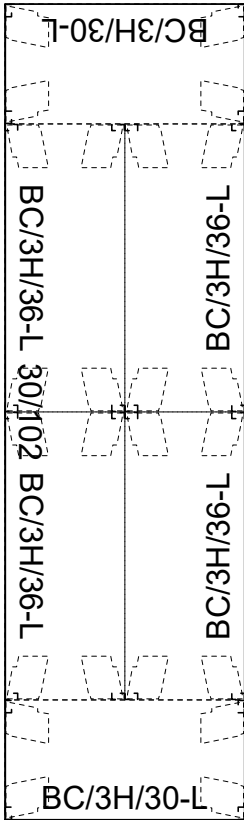
# PLAN VIEW

## Typical 7



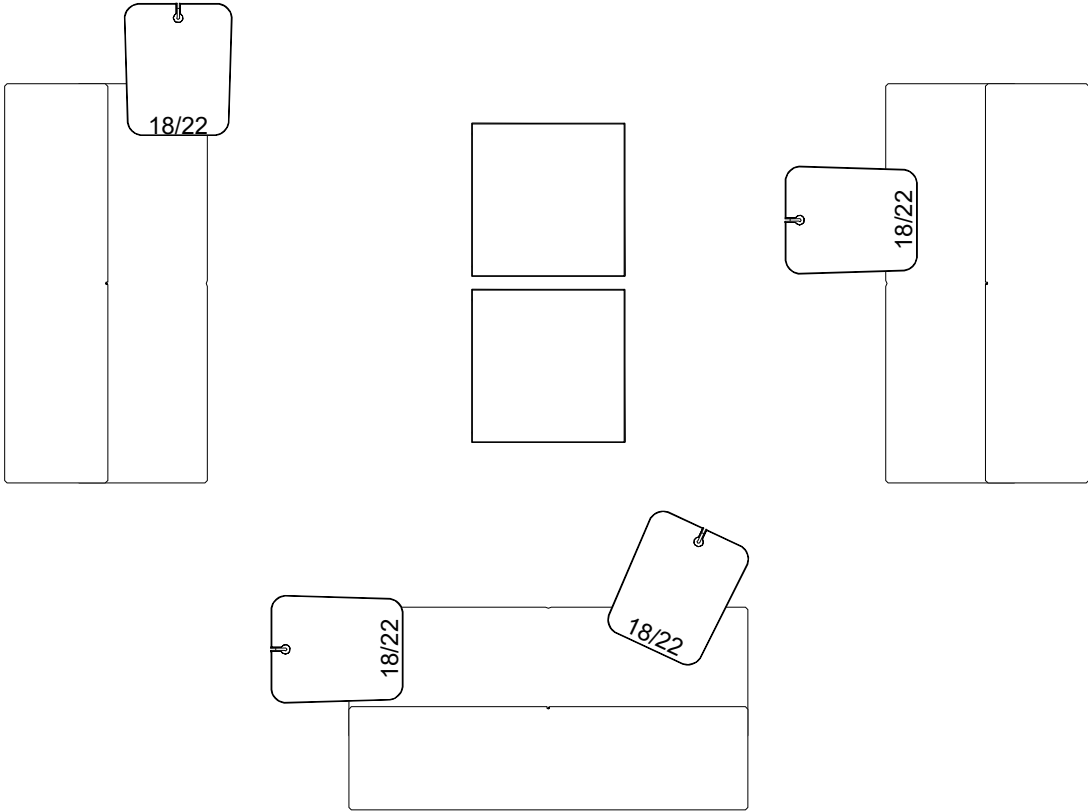
Scale: 1/4" = 1'

# Typical 8



Scale: 1/2" = 1'

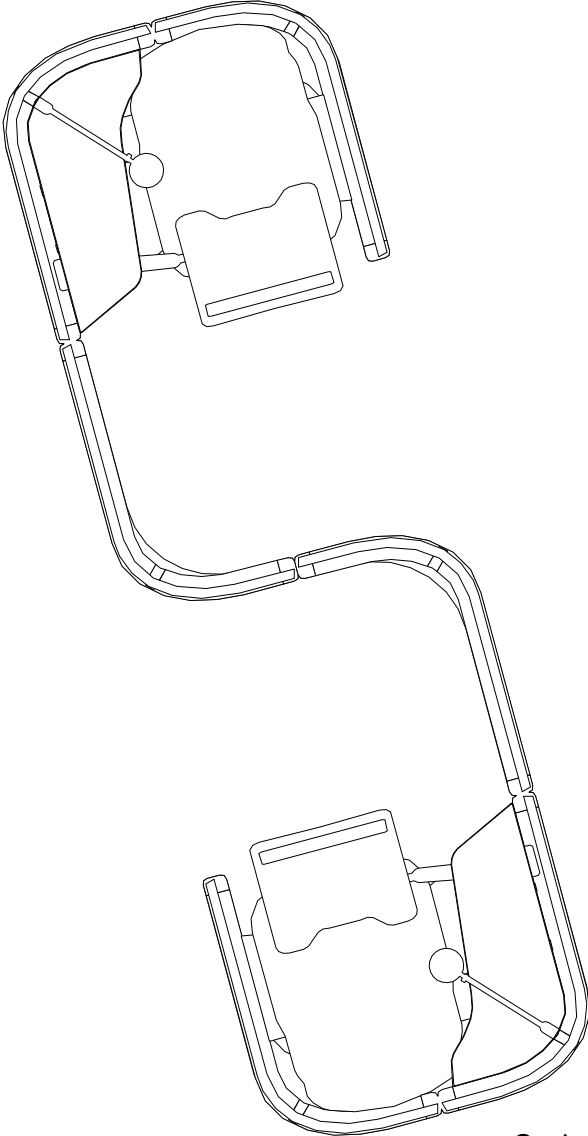
# Typical 9



Scale: 3/8" = 1'

PLAN VIEW

# Typical 10



Scale: 1/2" = 1'